



INSTALLATION GUIDE

AUSTRALIAN MADE FOR AN AUSTRALIAN LIFESTYLE

PRODUCT DETAILS

To accommodate the trend in roof mounted PV Solar Panels, Delta Panels™ have designed an engineering certified fixing bracket that is specifically suited for our DeltaTrim™, DeltaOrb™ & DeltaCorro/Corro™ range of insulated roofing panels.

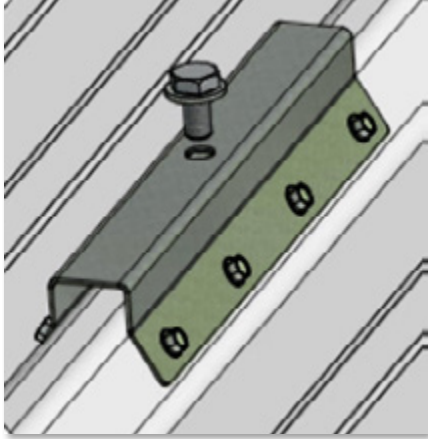
PRODUCT FEATURES

- Fully Engineered using 1.5mm hi-tensile steel
- Fixing brackets available to suit DeltaTrim™
- Fixing brackets available to suit DeltaOrb™ & DeltaCorro/Corro™
- Engineered to cover wind zones N1-N5 and C1-C5
- Suitable for retro-fitting to existing insulated roofs
- Brackets manufactured from Stainless Steel offering durable weathering in all environments

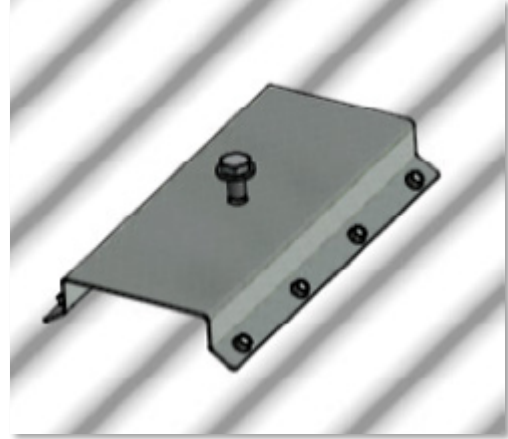


Version Date: 08.04.2020

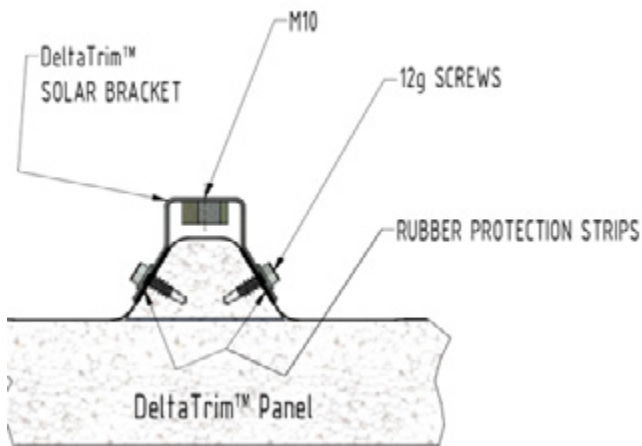
BRACKET SPECIFICATIONS



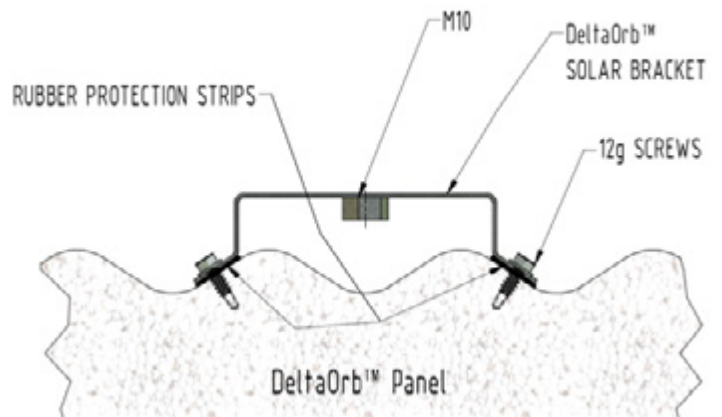
Bracket Details - DeltaTrim™



Bracket Details - DeltaOrb™ & DeltaCorro/Corro™

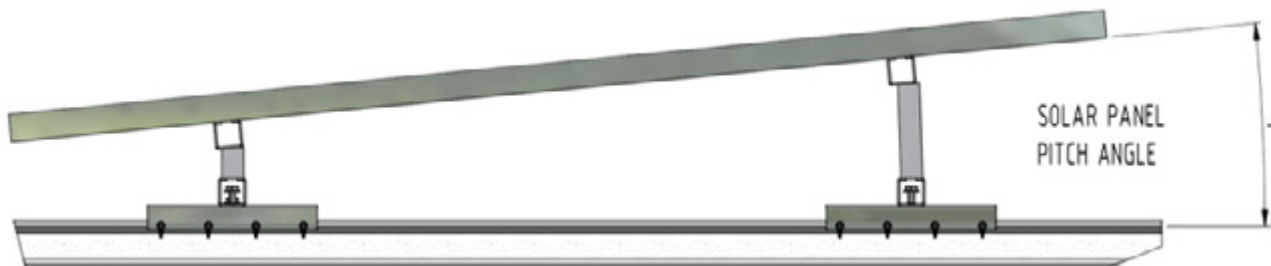


Bracket Fixing Details - DeltaTrim™ Panel



Bracket Fixing Details - DeltaOrb™ Panel

PV SOLAR PANEL INSTALLATION PITCH ANGLE

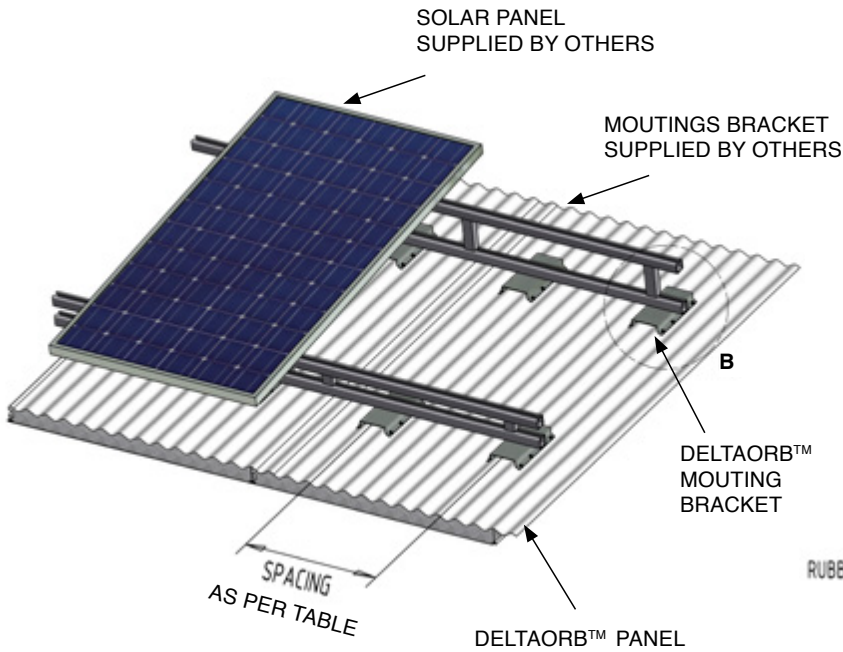


Mounting Angle $\geq 40^\circ$

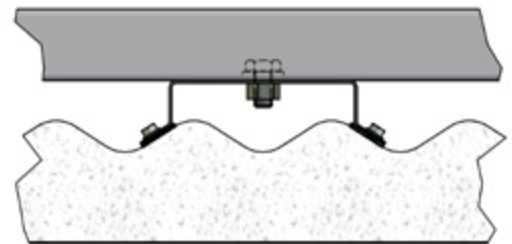
Version Date: 08.04.2020

PV SOLAR PANEL POSITIONING

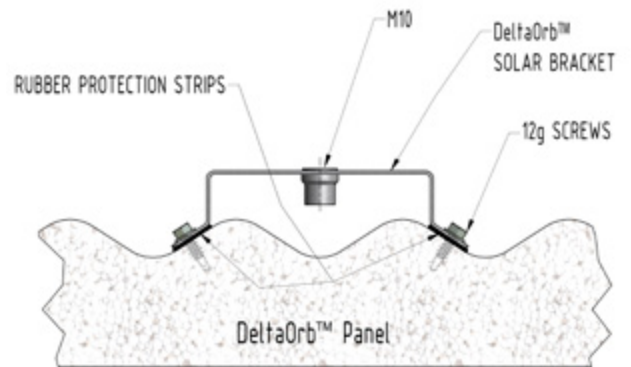
DELTAORB™ PORTRAIT INSTALLATION



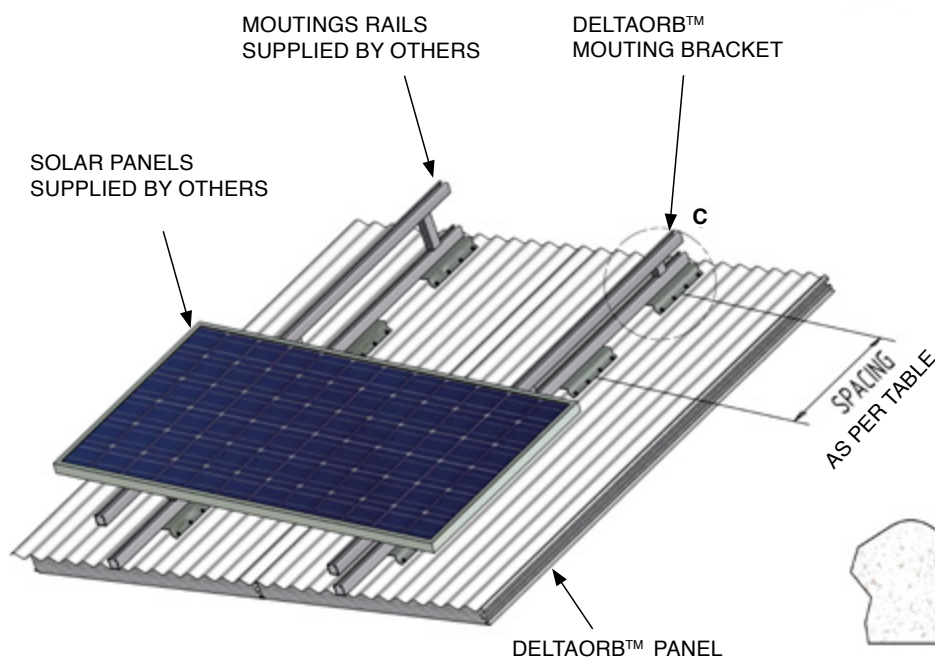
DETAIL B



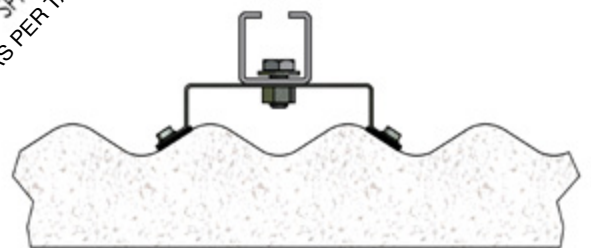
MOUNTING BRACKET FIXING FOR PORTRAIT



DELTAORB™ LANDSCAPE INSTALLATION



DETAIL C



MOUNTING BRACKET FIXING FOR LANDSCAPE

Version Date: 08.04.2020

PV SOLAR PANEL FIXING REQUIREMENT TABLES

- The fixing tables are specially engineered for PV solar panels of a maximum dimension of 1600mm x 900mm
- Rails must have the load weight of the PV solar cell distributed across numerous brackets

Portrait Solar Panel Fixing Requirements

All brackets to be screwed with 12g class 4 screws with seal.

Wind Class	Limit State Design Pressure (kPa)	Brackets / Panel @ 250mm crs	Screws / Brackets @ 250mm crs	Brackets / Panel @ 500mm crs	Screws / Brackets @ 500mm crs
N2	2.16	6	4	4	4
N3	3.32	6	4	4	4
N4	4.97	6	4	4	4
N5	7.14	6	6	4	8
C1	3.79	6	4	4	4
C2	5.64	6	6	4	8
C3	8.11	6	6	4	10
C4	11.04	6	10	N/A	N/A

Landscape Solar Panel Fixing Requirements

All brackets to be screwed with 12g class 4 screws with seal.

Wind Class	Limit State Design Pressure (kPa)	Brackets / Panel @ 250mm crs	Screws / Brackets @ 250mm crs	Brackets / Panel @ 500mm crs	Screws / Brackets @ 500mm crs
N2	2.16	10	4	6	4
N3	3.32	10	4	6	4
N4	4.97	10	4	6	4
N5	7.14	10	4	6	4
C1	3.79	10	4	6	4
C2	5.64	10	4	6	4
C3	8.11	10	4	6	4
C4	11.04	10	4	6	6

DeltaMax™, DeltaTrim™, DeltaOrb™ & DeltaCorro/Corro™ are all trademarks of Delta Panels Pty Ltd

Delta Panels Pty Ltd is committed to an ongoing programme of product research and development and reserves the right to update and amend information without prior notice. Reasonable care has been taken to ensure that all published information is correct and accurately reflects the properties of our products and their design applications at the time of publication. However these are a general guide only, it is the customers responsibility to ensure that all products and their stated applications are fit for purpose and complies with all relevant statutory requirements.



Version Date: 08.04.2020