



## PRODUCT CATALOGUE

AUSTRALIAN MADE FOR AN AUSTRALIAN LIFESTYLE

### Delta Panels Pty Ltd

P: +61 7 3271 2170 | E: [info@deltapanel.com](mailto:info@deltapanel.com) | W: [www.deltapanel.com](http://www.deltapanel.com)

Head Office: 731 Boundary Road, Richlands, Qld 4077

Sydney Depot: 11 The Northern Road, Narellan, NSW. 2567

ABN: 11 147 861 292

Version Date: 2024-01-11



SCI QUAL  
INTERNATIONAL



SCI QUAL  
INTERNATIONAL



SCI QUAL  
INTERNATIONAL



## PRODUCT DETAILS

The DeltaLowProfile™ lights are available in 2 sizes. to allow for maximum design flexibility. The wafer-thin profile measures just 20mm thus creating a minimal recess when mounted into a laminated panel.

## PRODUCT FEATURES

- Available in 2 sizes 120mm & 170mm
- 120mm available lighting colour options are Warm White & Cool White
- Aluminum & Acrylic Construction
- Wafer-Thin 12mm low-profile
- Durable Powder Coated exterior trim
- Round feature with integral edge-lit LED strip
- Steel spring clip for easy installation
- Polycarbonate Lens provides even illumination
- Strong thread-lock connectors for various cable length combinations.
- Low Voltage Power source
- Dimmable

## PRODUCT SPECIFICATIONS

Manufactured from aluminum and acrylic, and finished with a durable powder coated trim the DeltaLowProfile™ lights are designed for a long, useable lifespan.

### DELTALOWPROFILE™ LIGHT SPECIFICATIONS

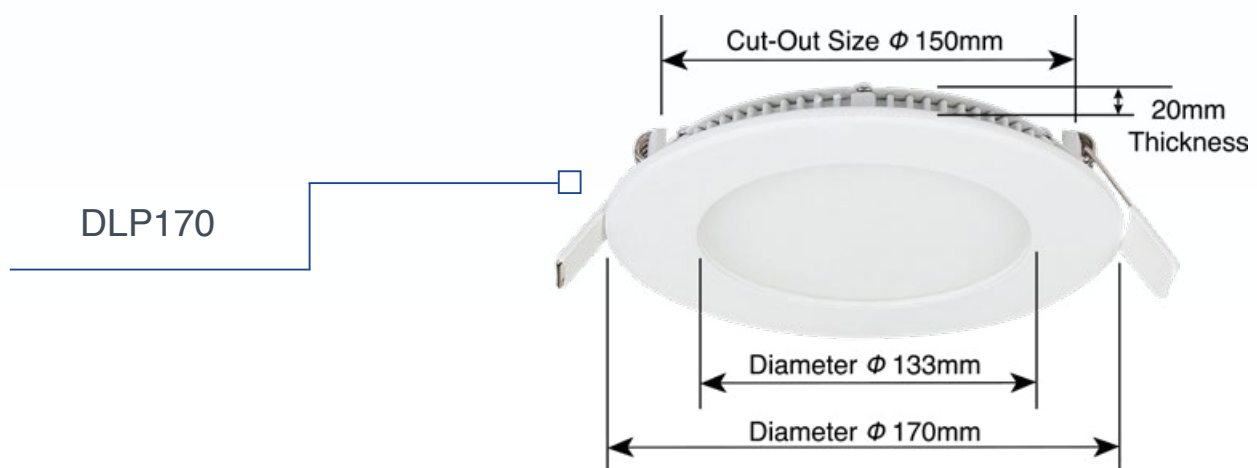
	DLP120	DLP170
CEILING CUT OUT	100mm	150mm
EXTERIOR DIAMETER	120mm	170mm
APATURE DIAMETER	83mm	133mm
HEIGHT	20mm	20mm
INPUT VOLTAGE	AC220-240V - Dimmable	AC220-240V - Dimmable
LIGHT OUTPUT (LUMENS)	50-70 lm/w	50-70 lm/w
COLOUR ACCURACY (CRI)	71 CR(Ra)	71 CR(Ra)
LIGHTING COLOUR - COOL WHITE	√	√
LIGHTING COLOUR - WARM WHITE	√	x
CORRELATION COLOUR TEMPERATURE (CCT)	Cool White 6500-7000k Warm White 4000-4500k	Cool White 6500-7000k
PROTECTION CLASS	IP44	IP44
WARRANTY	3 year limited warranty	3 year limited warranty

## PRODUCT SPECIFICATIONS

### DELTALOWPROFILE™ VOLTAGE DRIVER SPECIFICATIONS

		DLDR12 - Trimac Dimmer	
INPUT VOLTAGE	200-240 VAC, 47-63Hz		
OUTPUT VOLTAGE	DLP120	18-25 VDC, 300mA +/-10mA	
	DLP170	30-45 VDC, 300mA +/-10mA	
Finish	Aluminium Weatherproof Case		
Dimmable Range	Down to 10%		
WARRANTY	3 year limited warranty		

## PRODUCT DIMENSIONS



## PRODUCT COMPONENTS

Each Light set consists of:-

- DeltaLowProfile Recess Light (either DLP120 or DLP170)
- 6 meter lead
- 3 meter extension lead
- Trimac dimmable drivers, with 1 metre power connection lead



## SAFETY

- All installation procedures to comply with Australian Wiring Rules AS/NZ 3000
- Protect Yourself : Before installing, please read the DeltaLowProfile™ Light Safety & Installation Instructions carefully