

BRACKET DETAILS

PART LIST			
ITEM	QTY	PART NUMBER	DESCRIPTION
1	8	BEK4480	TRK SCREW (30) 13-14000
2	2	CPRO22 2 5M	DELTA BEAM - 150MM
3	2	CPRO27	BEAM TO BEAM BRACKET TRIM
4	1	CPRO15-1M	DELTA PANEL - RECEIVER CHANNEL
5	8	SCREW BOLT 6.5x50	SCREW BOLT 6.5x50
6	4	SCREW BOLT 6x60	SCREW BOLT 6x60
7	1	WALL SECTION	WALL SECTION

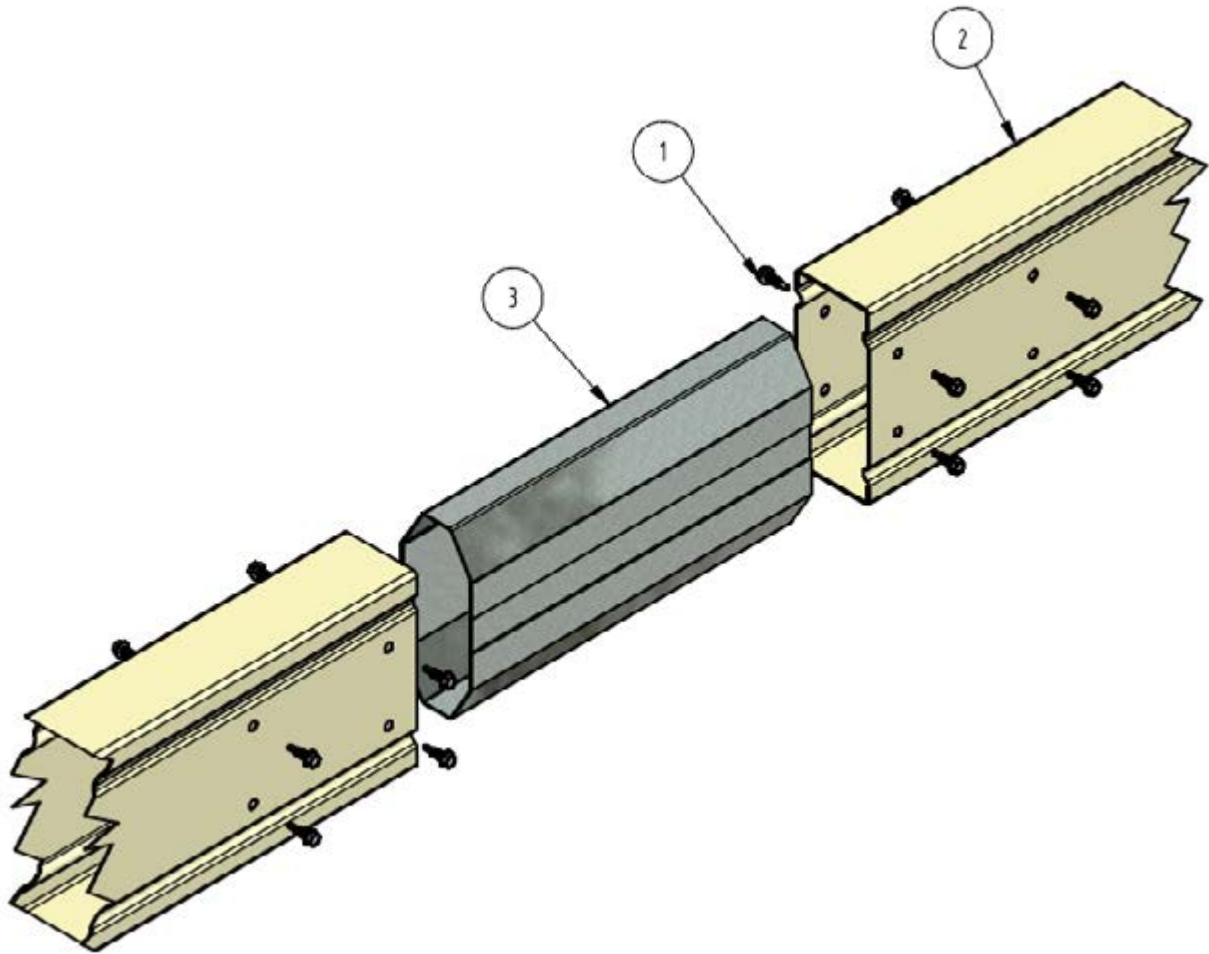
PART LIST			
ITEM	QTY	PART NUMBER	DESCRIPTION
1	16	BEK4480	TRK SCREW (30) 13-14000
2	3	CPRO22 LENGTH	DELTA BEAM - 150MM
3	3	CPRO27	BEAM TO BEAM BRACKET 150MM

DESIGNED BY		VERSION DATE	
SVEN DJUVE		23/05/2018	
WITH MINOR MODIFICATIONS FROM ITS			
E.D.	REV.	SHEET	
15-0-0-0	A	1/1	

PART LIST			
ITEM	QTY	PART NUMBER	DESCRIPTION
1	2	SDMSK16 3/8	FLYOVER UPRIGHT 3/8
2	8	BEK4480	TRK SCREW (30) 13-14000
3	1	CPRO22 2 5M	DELTA BEAM - 150MM
4	2	CPRO22 2 5M	DELTA BEAM - 150MM
5	2	CPRO22 2 5M	DELTA BEAM - 150MM
6	4	CPRO27	BEAM TO BEAM BRACKET 150MM
7	6	HEX BOLT M10x60	HEX BOLT M10x60 - NUT
8	6	HEX BOLT STEEL (DIN913)	HEX BOLT M10x60 - NUT
9	2	TIMBER TRUSS WALL	TIMBER TRUSS WALL
10	6	WASHER STEEL M10	WASHER M10

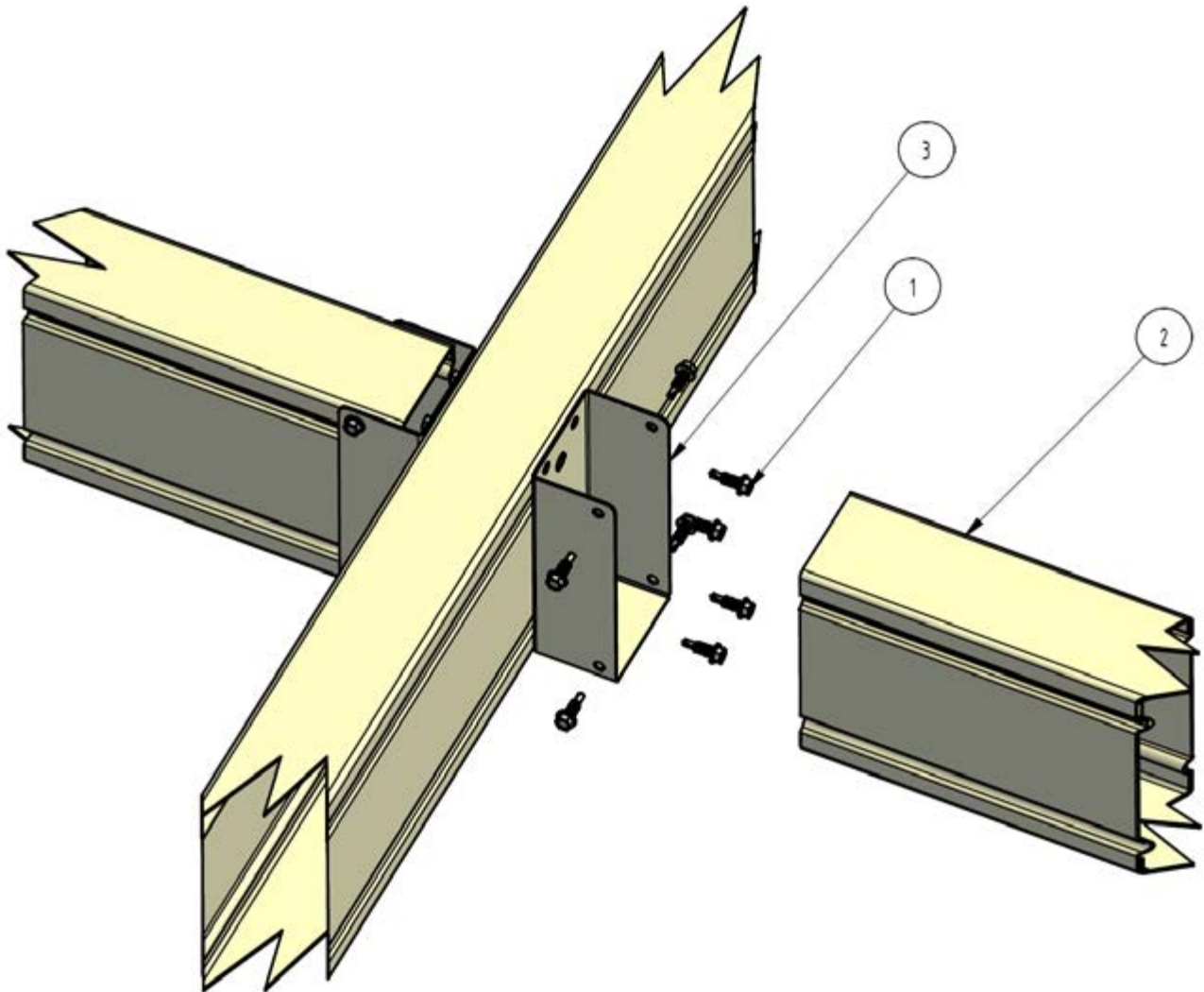
DESIGNED BY		VERSION DATE	
SVEN DJUVE		23/05/2018	
WITH MINOR MODIFICATIONS FROM ITS			
E.D.	REV.	SHEET	
15-0-0-0	A	1/1	

PART LIST			
ITEM	QTY	PART NUMBER	DESCRIPTION
1	32	90064A580	TEK SCREW (SDS) 12-14X20
2	4	DPB1002-300	DELTABEAM
3	2	DPB5020	INLINE BEAM JOINER OVER POST



DESCRIPTION JOINER OVER POST		DESIGNED BY SVEN DJUVE	VERSION DATE 23/05/2018
DELTA PANELS RESERVES THE RIGHT AT ANY TIME TO SUPPLY GOODS WITH MINOR MODIFICATIONS FROM ITS DRAWINGS AND FROM ITS SPECIFICATIONS AS IT SEES FIT.			
DRAWING NO. BEAM TO BEAM JOINER	FOLDING TOLERANCE: ± 2.0 LENGTH TOLERANCE: ± 15.0-0.0	REV: A	SHEET 1/1

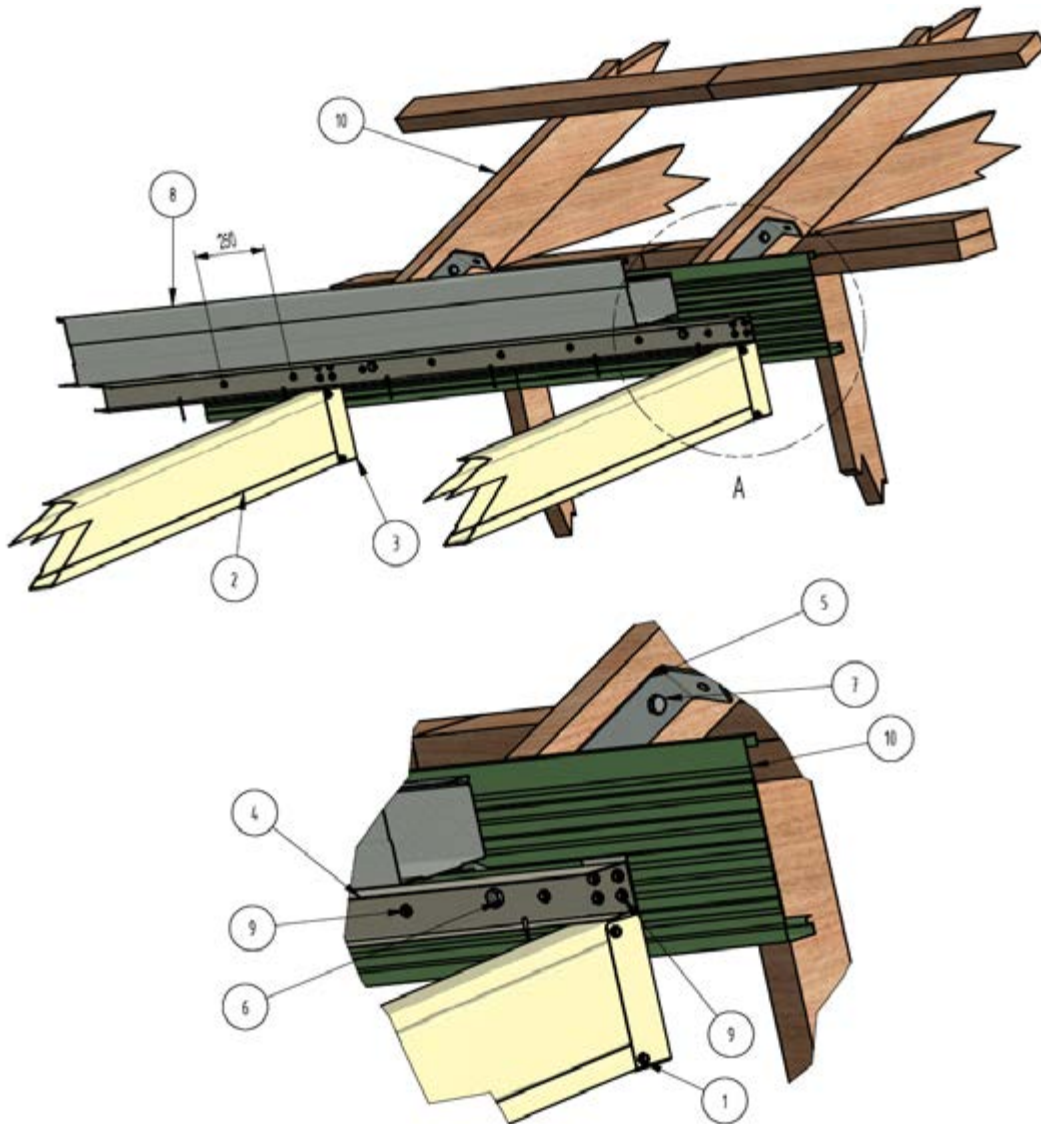
PART LIST			
ITEM	QTY	PART NUMBER	DESCRIPTION
1	16	90064A580	TEK SCREW (SDS) 12-14X20
2	3	DPB1002 LENGTH	DELTABEAM
3	2	DPB5017	BEAM END CAP



DESCRIPTION BEAM TO BEAM CONNECTION		DESIGNED BY SVEN DJUVE	VERSION DATE 23/05/2018
DELTA PANELS RESERVES THE RIGHT AT ANY TIME TO SUPPLY GOODS WITH MINOR MODIFICATIONS FROM ITS DRAWINGS AND FROM ITS SPECIFICATIONS AS IT SEES FIT.			
DRAWING NO. BEAM TO BEAM CONNECTION	FOLDING TOLERANCE: ± 2.0 LENGTH TOLERANCE: $\pm 15.0-0.0$	REV: A	SHEET 1/1

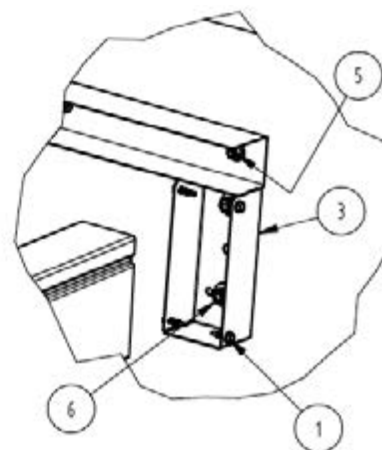
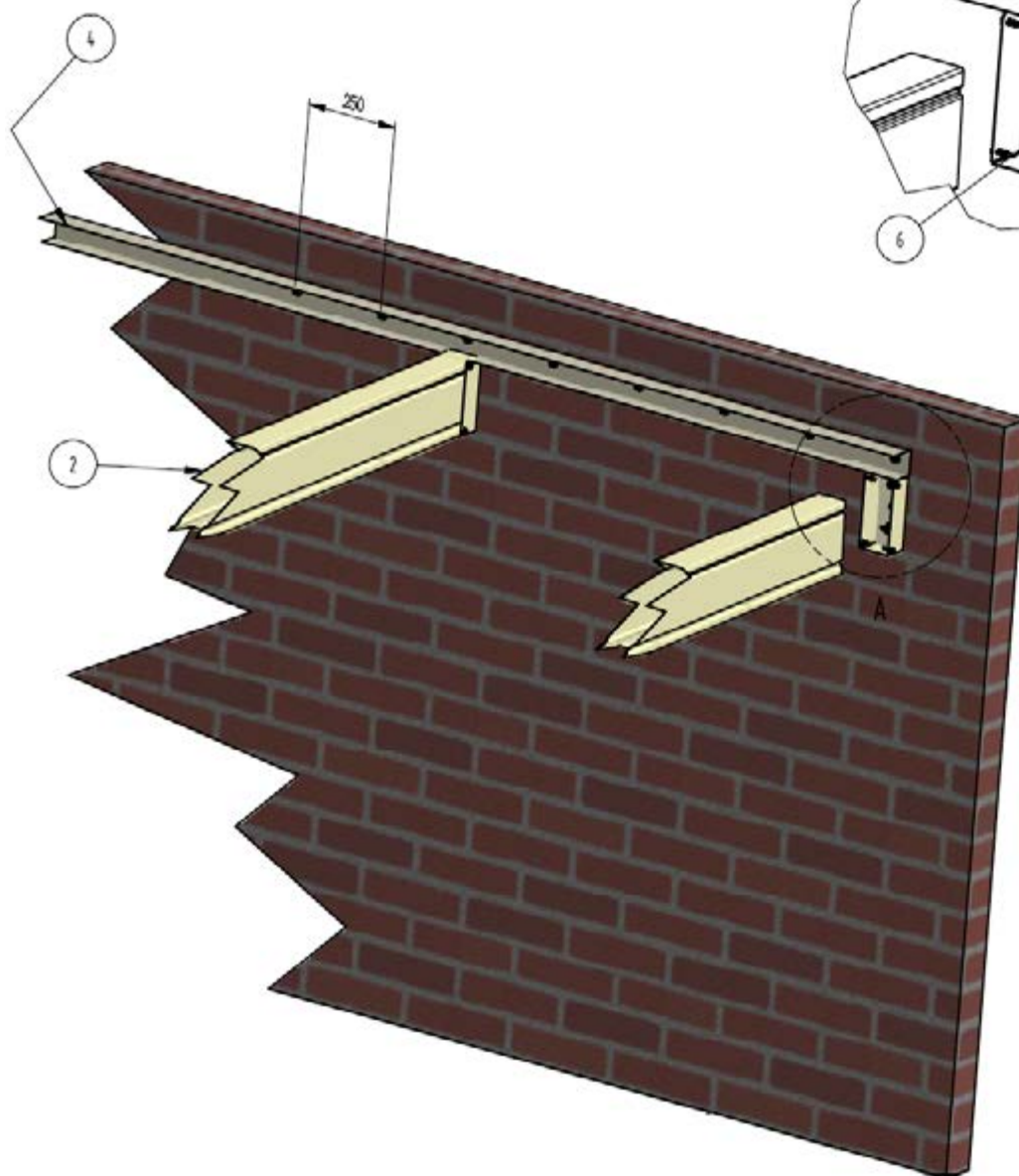
PART LIST

ITEM	QTY	PART NUMBER	DESCRIPTION
1	8	90064A580	EK SCREW (SDS) 12-14X20
2	2	DPB1002 2.5M	DELTABEAM
3	2	DPB5017-H	FASCIA HANGING BRACKET
4	1	DPC5315-3M	DELTASINGLE – RECEIVER CHANNEL
5	2	DPP5711	FACIA STRENGTHENING BRACKET + M10 WASHERS
6	2	HHB-M10X25	HEX-HEAD BOLT M10X25
7	6	HEXBOLT_STEEL_DIN931_DIN931	HEX-HEAD BOLT M10X70
8	1	SQUARLINE GUTTER QUEENSLAND SHEET METAL	PATIO STYLE GUTTER
9	16	TEK SCREW 10-16X16	TEK SCREW (SDS) 10-16X16
10	2	TIMBER TRUSS WALL_STEEL FASCIA	TIMBER TRUSS WALL_STEEL FASCIA



DESCRIPTION BEAM TO FASCIA CONNECTION STEEL FASCIA		DESIGNED BY SVEN DJUVE	VERSION DATE 23/05/2018
DELTA PANELS RESERVES THE RIGHT AT ANY TIME TO SUPPLY GOODS WITH MINOR MODIFICATIONS FROM ITS DRAWINGS AND FROM ITS SPECIFICATIONS AS IT SEES FIT.			
DRAWING NO. BEAM TO FASCIA CONNECTION STEEL FASCIA	FOLDING TOLERANCE: ± 2.0 LENGTH TOLERANCE: ± 15.0-0.0	REV: A	SHEET 1/1

PART LIST			
ITEM	QTY	PART NUMBER	DESCRIPTION
1	8	90064A580	TEK SCREW (SDS) 12-14X20
2	2	DPB1002 2.5M	DELTABEAM
3	2	DPB5017	BEAM END CAP
4	1	DPC5315-3M	RECEIVER CHANNEL
5	8	SCREW BOLT 6.5X50	SCREW BOLT 6.5X50
6	4	SCREW BOLT 8X60	SCREW BOLT 8X60
7	1	WALL SECTION	WALL SECTION

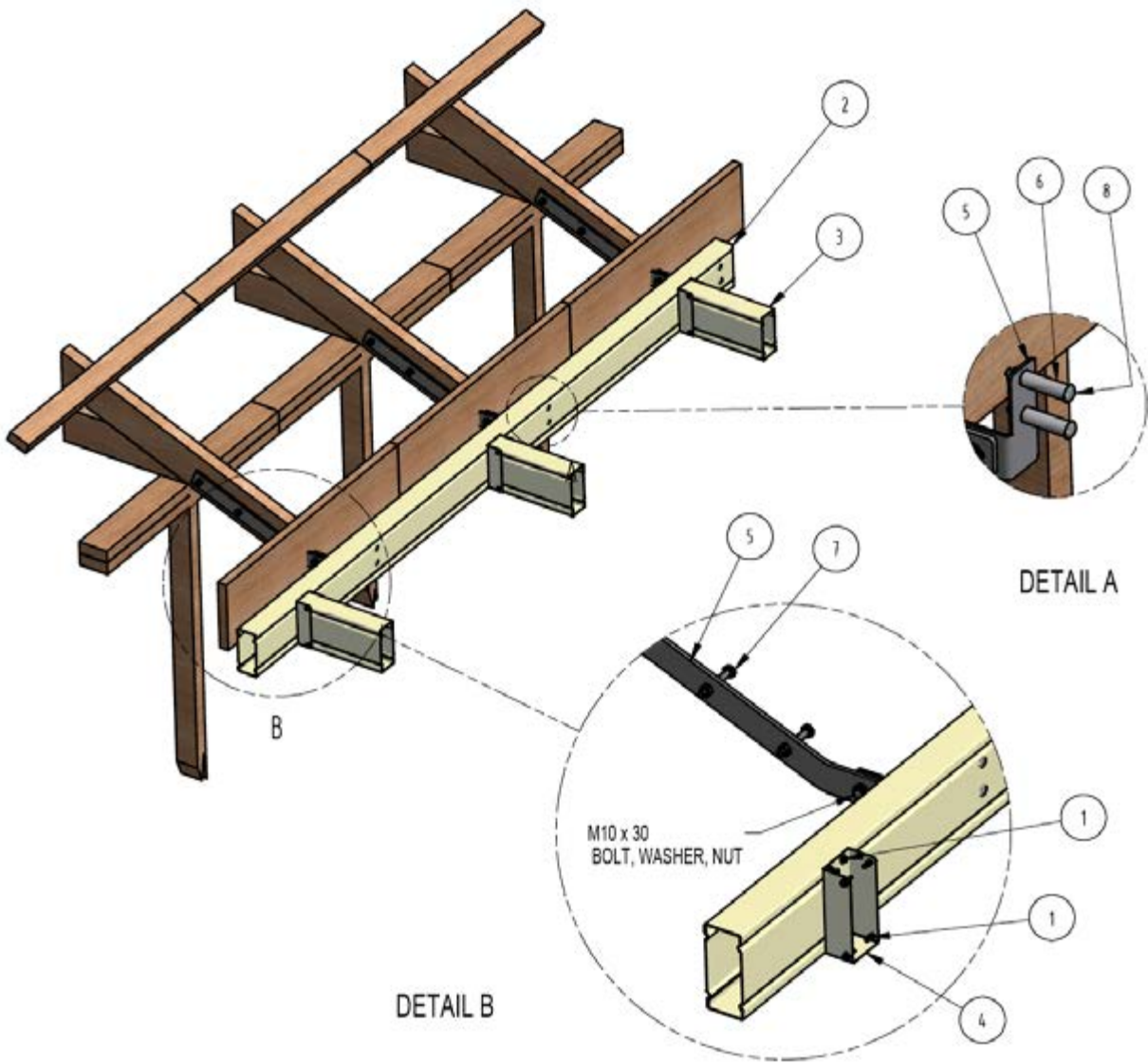


DETAIL A

DESCRIPTION BEAM TO WALL CONNECTION		DESIGNED BY SVEN DJUVE	VERSION DATE 23/05/2018
DELTA PANELS RESERVES THE RIGHT AT ANY TIME TO SUPPLY GOODS WITH MINOR MODIFICATIONS FROM ITS DRAWINGS AND FROM ITS SPECIFICATIONS AS IT SEES FIT.			
DRAWING NO. BEAM TO WALL CONNECTION	FOLDING TOLERANCE: ± 2.0	REV: A	SHEET 1/1
	LENGTH TOLERANCE: ± 15.0-0.0		

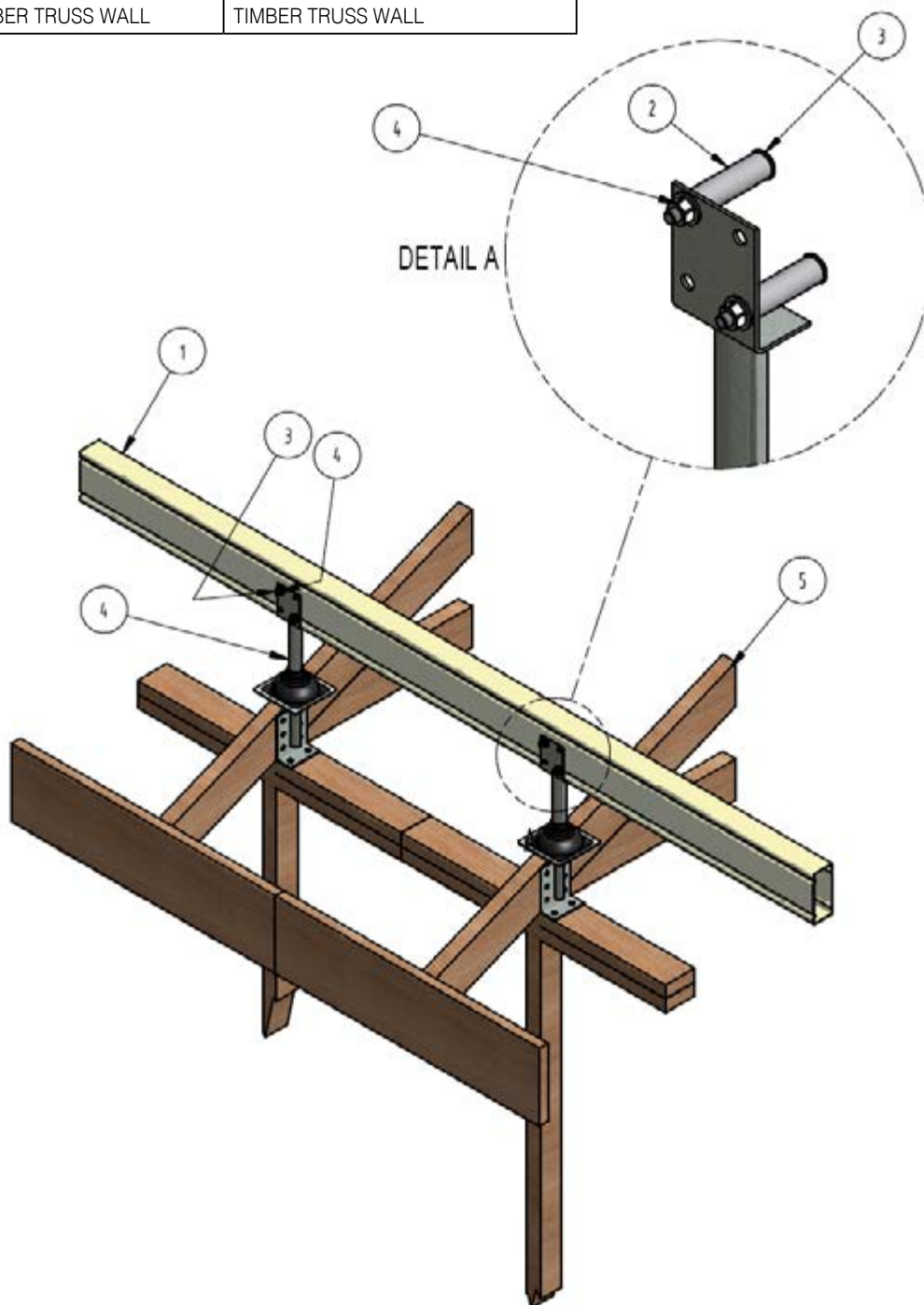
PART LIST

ITEM	QTY	PART NUMBER	DESCRIPTION
1	24	90064A580	TEK SCREW (SDS) 12-14X20
2	1	DPB1001 2.5M	DELTABEAM
3	3	DPB1002 - 300	DELTABEAM
4	3	DPB5017	BEAM END CAP
5	3	DPP1226-X	ADJUSTABLE BOX GUTTER BRACKET
6	6	DPP5736	BEAM SPACER
7	9	HEXBOLT_STEEL_DIN931_DIN931	HEX-HEAD BOLT M10X70 + NUT
8	6	M10 CUP HEAD X 90	M10 CUP HEAD X 90 + NUT
9	3	TIMBER TRUSS WALL	TIMBER TRUSS WALL



DESCRIPTION THROUGH FACIA - BEAM		DESIGNED BY SVEN DJUVE	VERSION DATE 23/05/2018
DELTA PANELS RESERVES THE RIGHT AT ANY TIME TO SUPPLY GOODS WITH MINOR MODIFICATIONS FROM ITS DRAWINGS AND FROM ITS SPECIFICATIONS AS IT SEES FIT.			
DRAWING NO. THROUGH FACIA - BEAM	FOLDING TOLERANCE: ± 2.0 LENGTH TOLERANCE: ± 15.0-0.0	REV: A	SHEET 1/1

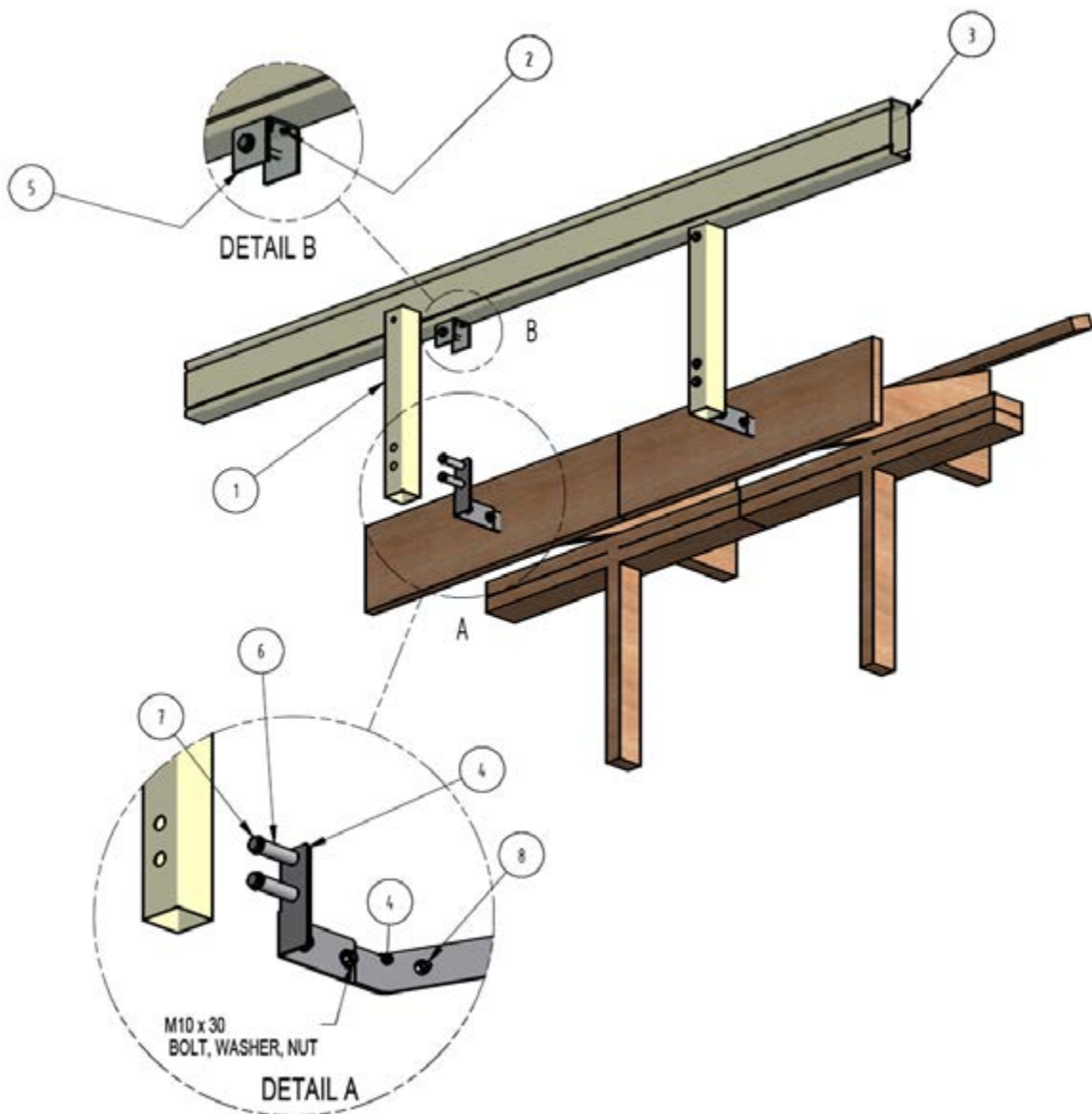
PART LIST			
ITEM	QTY	PART NUMBER	DESCRIPTION
1	1	DPB1002 2.5M	DELTABEAM
2	4	DPP5736	BEAM SPACER
3	4	M10 CUP HEAD X 90 + NUT	M10 CUP HEAD X 90 + NUT
4	2	ROOFEXTENDA S400	
5	2	TIMBER TRUSS WALL	TIMBER TRUSS WALL



DESCRIPTION FLYOVER WITH EXTENDA BRACKET AND 150 BEAM		DESIGNED BY SVEN DJUVE	VERSION DATE 23/05/2018
DELTA PANELS RESERVES THE RIGHT AT ANY TIME TO SUPPLY GOODS WITH MINOR MODIFICATIONS FROM ITS DRAWINGS AND FROM ITS SPECIFICATIONS AS IT SEES FIT.			
DRAWING NO. FLYOVER WITH EXTENDA BRACKET AND 150 BEAM	FOLDING TOLERANCE: ± 2.0 LENGTH TOLERANCE: ± 15.0-0.0	REV: A	SHEET 1/1

PART LIST			
ITEM	QTY	PART NUMBER	DESCRIPTION
1	2	65X65X1.6 SHS	FLYOVER UPRIGHT SHS
2	8	90064A580	TEK SCREW (SDS) 12-14X20
3	1	DPB1002 2.5M	DELTABEAM
4	2	DPP1226-X	ADJUSTABLE BOX GUTTER BRACKET
5	2	DPP5706-P	INTERNAL POST BRACKET (SUIT 65X65X1.6)
6	4	DPP5736	BEAM SPACER
7	6	HEX BOLT M10X90	HEX BOLT M10X90 + NUT
8	6	HEXBOLT_STEEL_DIN931_DIN931	HEX-HEAD BOLT M10X70 + NUT
9	2	TIMBER TRUSS WALL	TIMBER TRUSS WALL
10	6	WASHER_STEEL_M10	WASHER M10

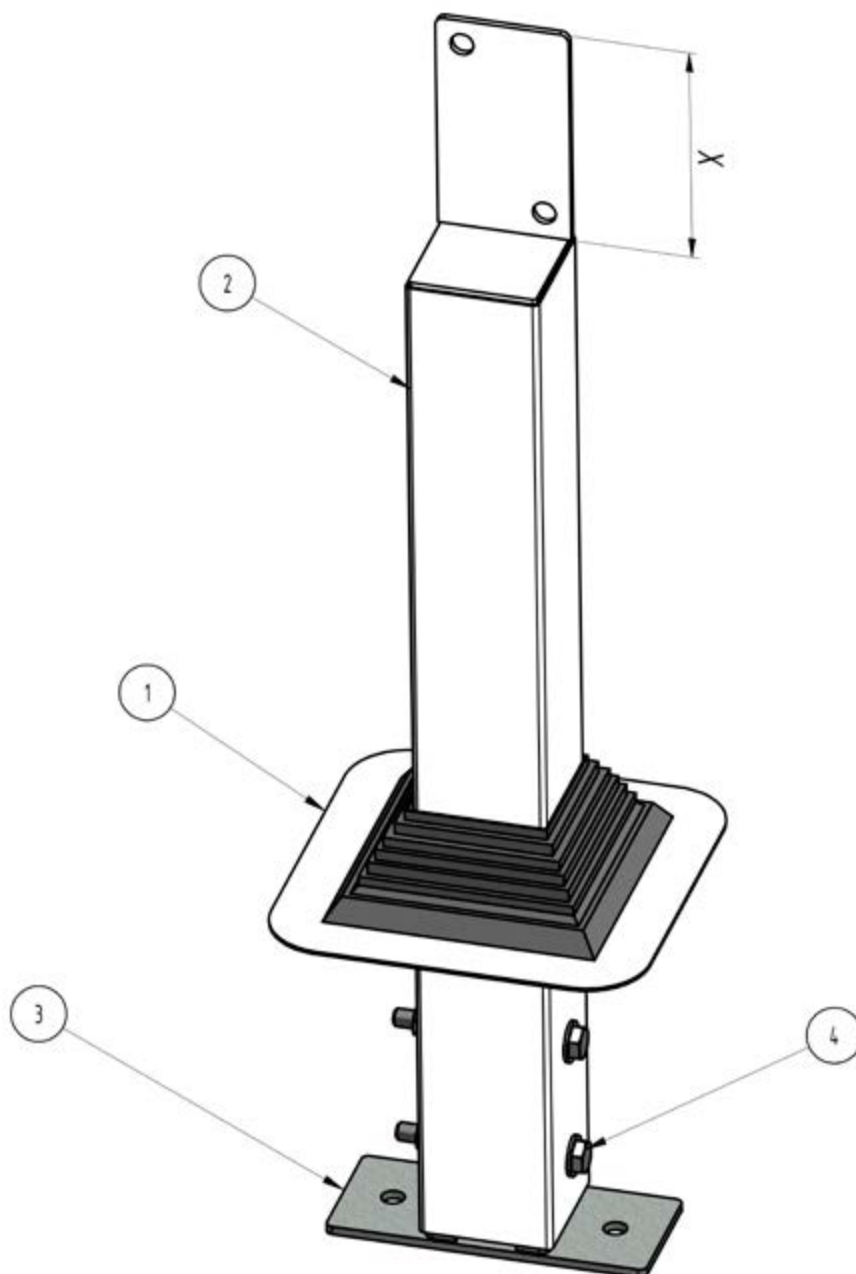
****DETAIL ONLY**
BRACKETS ETC. – BY OTHERS**



DESCRIPTION TFLYOVER WITH SHS UPRIGHT		DESIGNED BY SVEN DJUVE	VERSION DATE 23/05/2018
DELTA PANELS RESERVES THE RIGHT AT ANY TIME TO SUPPLY GOODS WITH MINOR MODIFICATIONS FROM ITS DRAWINGS AND FROM ITS SPECIFICATIONS AS IT SEES FIT.			
DRAWING NO. FLYOVER WITH SHS UPRIGHT	FOLDING TOLERANCE: ± 2.0 LENGTH TOLERANCE: ± 15.0-0.0	REV: A	SHEET 1/1

PART LIST			
ITEM	QTY	PART NUMBER	DESCRIPTION
1	1	BOOT DSC103BC	
2	1	DPP2183	EXTENDER POST
3	1	DPP2184	EXTENDER BRACKET FOOT
4	2	M10 x 100_NUT_ASSY	

DeltaBeam	X
100mm	80mm
150mm	130mm
200mm	180mm
250mm	230mm
300mm	280mm



DESCRIPTION EXTENDER BRACKET		DESIGNED BY DP	VERSION DATE 21/05/2020
DELTA PANELS RESERVES THE RIGHT AT ANY TIME TO SUPPLY GOODS WITH MINOR MODIFICATIONS FROM ITS DRAWINGS AND FROM ITS SPECIFICATIONS AS IT SEES FIT.			
DRAWING NO. EXTENDER BRACKET	FOLDING TOLERANCE: ± 2.0	REV: A	SHEET 1/1
	LENGTH TOLERANCE: ± 15.0-0.0		



VERSION: 08.04.2020