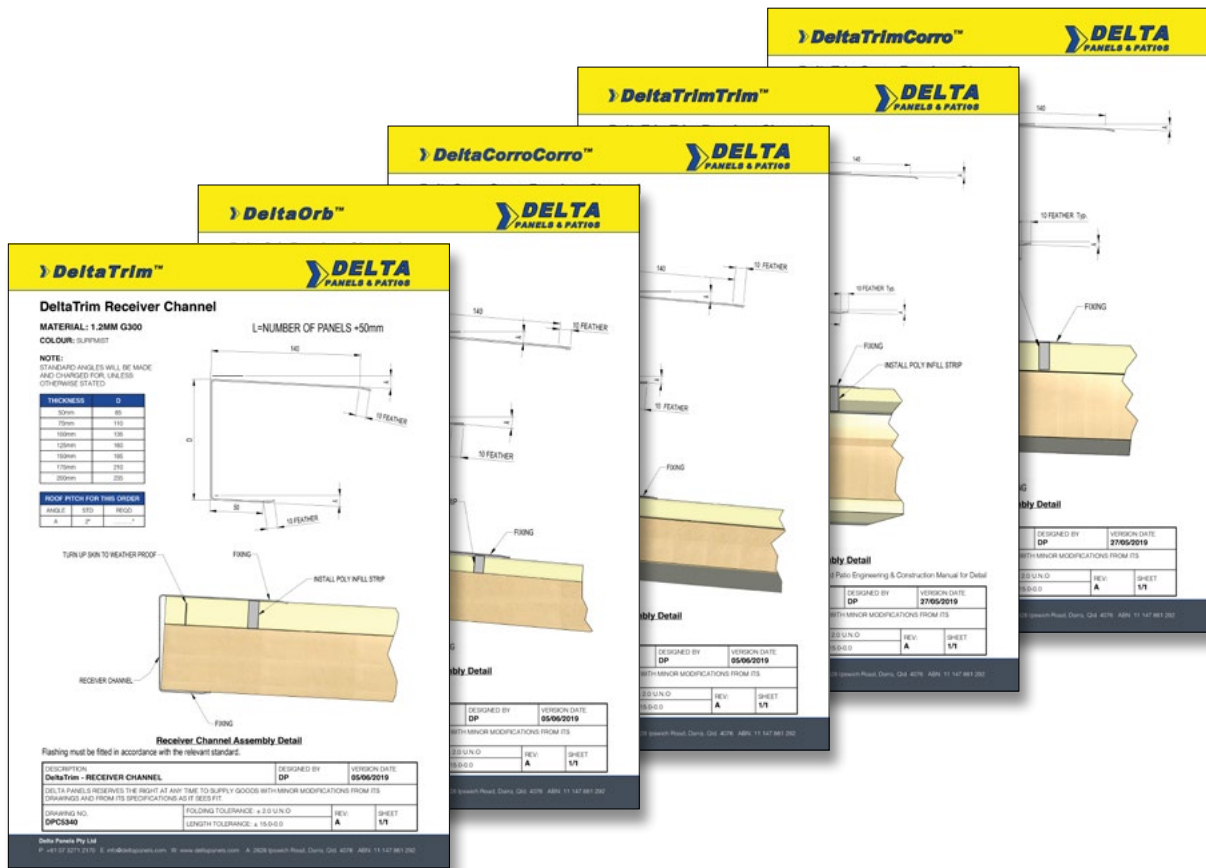


# FLASHINGS - RECOMMENDED INSTALLATION



## Australian Made For An Australian Lifestyle

### ENGINEER CERTIFICATION

Metal Flashings as outlined in this document, pages 1 to 72, that are installed in accordance with the recommendations in the Handling and Installation Manual and installed in conjunction with insulated roofing panels, DeltaTrim, DeltaOrb, DeltaCorroCorro, DeltaTrimTrim & DeltaTrimCorro, will comply and meet performance requirements in accordance with NCC 2022.

#### Volume One

Performance Requirements  
BP1.1(a) & (b) (i) (ii) (iii)  
Structural -Structural Reliability  
FP1.4  
Weatherproofing

#### Volume Two

Performance Requirements  
P2.1.1 (a) & (b) (i) (ii) (iii)  
Structural -Structural Stability & Resistance  
P2.2.2  
Weatherproofing for external walls & roofs  
3.12.1.2  
Building Fabric - Roofs

J S George Meija  
BE, B Com CPEng MIE Aust  
Registered Professional Engineer Qld 742  
Registered Builder Qld 2862  
1/5 Golden Crest Place  
Bellbowrie Qld 4070

Signed:

George J S Meija

**Delta Panels Pty. Ltd.**

ABN: 11 147 861 292

731 Boundary Road, Richlands, Qld 4077  
P: +61 07 3271 2170  
E: info@deltapanel.com  
W: www.deltapanel.com

**Document No. 180520**

Version Date: 2023-10-27



SCI QUAL  
INTERNATIONAL

SCI QUAL  
INTERNATIONAL

SCI QUAL  
INTERNATIONAL



In addition to the extensive range of standard flashings Delta Panels™ can also supply customised flashings to suit all particular project requirements. All flashings are available up to a maximum length of 8 meters.

## Steel

Standard Flashings are made from prepainted steel, with a base metal thickness (BMT) of 0.55mm Those flashings that are deemed to serve a structural role are made from either 0.95mm or 1.2mm material. The flashing drawings are clearly marked with the designated metal thickness.

All flashings must be installed in accordance with Australian Standard AS 1562.1:2018.

## Colour Range

Delta Panels™ range of roofing panels are available with an extensive range of colour options. All flashings are also available in the same colour range to ensure a perfect match. The colour range is continually expanding, to keep abreast of the current colour range please refer to [www.deltapanel.com](http://www.deltapanel.com)

## DeltaMax™

For projects in highly corrosive environments we are able to offer flashings with the MagnaFlow paint finish offering extended warranties. These flashings can be used in conjunction with the DeltaMax™ range of roofing panels. For more details please refer to the DeltaMax™ section on our web page [www.deltapanel.com](http://www.deltapanel.com)

## Fixings

Flashings are generally fastened using rivets or self-drilling screws. The spacing requirements of these fasteners are specified on the Engineer's Certified drawings.

## Sealants

All sealants used on the flashings should be neutral cure and meet the recommendations as outlined in BlueScope TB-9 Sealants for Exterior Finish.

## Cleaning & Ongoing Maintenance

When cleaning off any metal shavings, sealant, concrete splatter or general construction grime, extreme care must be taken not to scratch the painted finish of the flashings.

**Do Not** use solvents, wire brushes, steel wool or any other abrasive method to clean the painted surfaces of the flashings.

Touch up paint and colour coded pens are only suitable for minor scratches.

For ongoing general cleaning and maintenance, use a low pressure power washer, if necessary use car wash soap or a 5% mild laundry detergent.

## DeltaSingle™

<u>Flashing Detail</u>	<u>Drawing No</u>	<u>Page</u>
DeltaSingle Receiver Channel	DPC5315	6
DeltaSingle Side Channel	DPC5315-A	7

## DeltaTrim™

<u>Flashing Detail</u>	<u>Drawing No</u>	<u>Page</u>
DeltaTrim Receiver Channel	DPC5340	8
DeltaTrim Scribe Flashing	DPC5341	9
DeltaTrim Apron Flashing	DPC5075	10
DeltaTrim Apron Flashing-B	DPC5078	11
DeltaTrim Ridge Cap	DPC5050	12
DeltaTrim Side Barge	DPC5015	13
DeltaTrim Side Barge with Drip Guard	DPC5316	14
DeltaTrim Side Barge with Drip Guard - 50mm only	DPC5344	15
DeltaTrim Rear Barge Capping	DPC5021	16
DeltaTrim Rear Barge Capping with Drip Guard	DPC5339	17
DeltaTrim Rear Barge Capping with Drip Guard - 50mm only	DPC5336	18
DeltaTrim Fascia Flashing	DPC5338	19
DeltaTrim Fascia Flashing - 50mm only	DPC5335	20
DeltaTrim Fascia "BAL" Flashing	DPC5350	21
DeltaTrim "Z" Flashing	DPC5351	22

## DeltaOrb™

<u>Flashing Detail</u>	<u>Drawing No</u>	<u>Page</u>
DeltaOrb Receiver Channel	DPC5045	23
DeltaOrb Scribe Flashing	DPC5345	24
DeltaOrb Apron Flashing	DPC5070	25
DeltaOrb Apron Flashing-B	DPC5077	26
DeltaOrb Ridge Cap	DPC5055	27
DeltaOrb Side Barge	DPC5035	28
DeltaOrb Side Barge with Drip Guard	DPC5317	29
DeltaOrb Side Barge with Drip Guard - 50mm only	DPC5346	30
DeltaOrb Rear Barge Capping	DPC5347	31
DeltaOrb Rear Barge Capping with Drip Guard	DPC5040	32
DeltaOrb Rear Barge Capping with Drip Guard - 50mm only	DPC5348	33
DeltaOrb Fascia Flashing	DPC5010	34
DeltaOrb Fascia Flashing - 50mm only	DPC5349	35
DeltaOrb Fascia "BAL" Flashing	DPC5011	36
DeltaOrb "Z" Flashing	DPC5352	37

## DeltaCorroCorro™

<b>Flashing Detail</b>	<b>Drawing No</b>	<b>Page</b>
DeltaCorroCorro Receiver Channel	DPC5205	38
DeltaCorroCorro Scribe Flashing	DPC5345-B	39
DeltaCorroCorro Apron Flashing	DPC5225	40
DeltaCorroCorro Apron Flashing-B	DPC5077-B	41
DeltaCorroCorro Ridge Cap	DPC5230	42
DeltaCorroCorro Side Barge	DPC5221	43
DeltaCorroCorro Side Barge with Drip Guard	DPC5318	44
DeltaCorroCorro Rear Barge Capping	DPC5342	45
DeltaCorroCorro Rear Barge Capping with Drip Guard	DPC5343	46
DeltaCorroCorro Fascia Flashing	DPC5211	47

## DeltaTrimTrim™

<b>Flashing Detail</b>	<b>Drawing No</b>	<b>Page</b>
DeltaTrimTrim Receiver Channel	DPC5329	48
DeltaTrimTrim Scribe Flashing	DPC5341-B	49
DeltaTrimTrim Apron Flashing	DPC5075-A	50
DeltaTrimTrim Apron Flashing-B	DPC5078-B	51
DeltaTrimTrim Ridge Cap	DPC5050-B	52
DeltaTrimTrim Side Barge	DPC5326	53
DeltaTrimTrim Side Barge with Drip Guard	DPC5323	54
DeltaTrimTrim Rear Barge Capping	DPC5325	55
DeltaTrimTrim Rear Barge Capping with Drip Guard	DPC5324	56
DeltaTrimTrim Fascia Flashing	DPC5328	57
DeltaTrimTrim Fascia Flashing with Drip Guard	DPC5328	58

## DeltaTrimCorro™

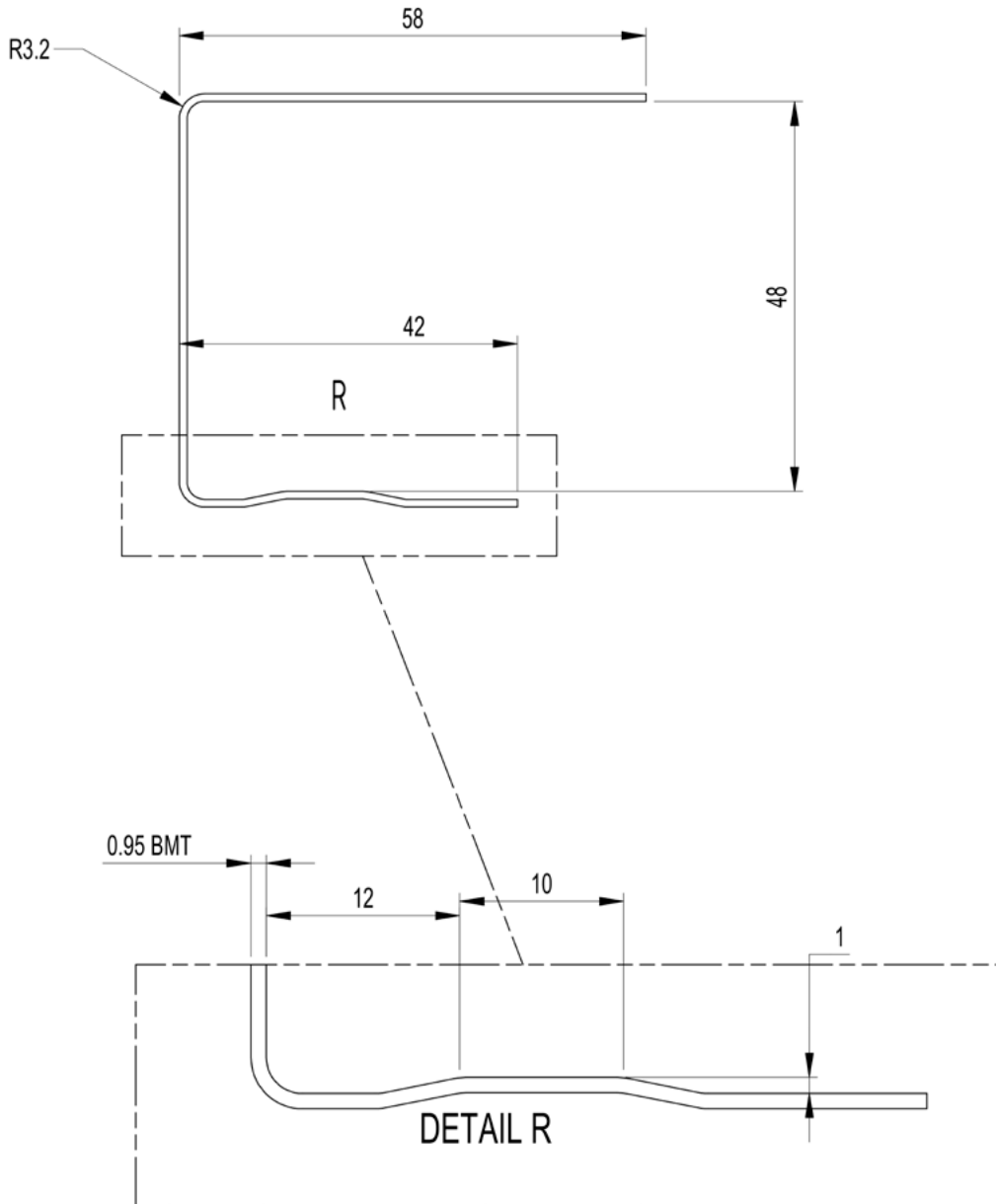
<b>Flashing Detail</b>	<b>Drawing No</b>	<b>Page</b>
DeltaTrimCorro Receiver Channel	DPC5330	59
DeltaTrimCorro Scribe Flashing	DPC5341-C	60
DeltaTrimCorro Apron Flashing	DPC5075-B	61
DeltaTrimCorro Apron Flashing-B	DPC5078-C	62
DeltaTrimCorro Ridge Cap - Trim	DPC5050-D	63
DeltaTrimCorro Ridge Cap - Corro	DPC5055-B	64
DeltaTrimCorro Side Barge	DPC5333	65
DeltaTrimCorro Side Barge with Drip Guard	DPC5322	66
DeltaTrimCorro Rear Barge Capping	DPC5332	67
DeltaTrimCorro Rear Barge Capping with Drip Guard	DPC5320	68
DeltaTrimCorro Fascia Flashing	DPC5331	69
DeltaTrimCorro Fascia Flashing with Drip Guard	DPC5321	70

# DeltaSingle Receiver Channel

**MATERIAL: 0.95MM BMT**

**NOTE:**

STANDARD ANGLES WILL BE MADE AND CHARGED FOR, UNLESS OTHERWISE STATED



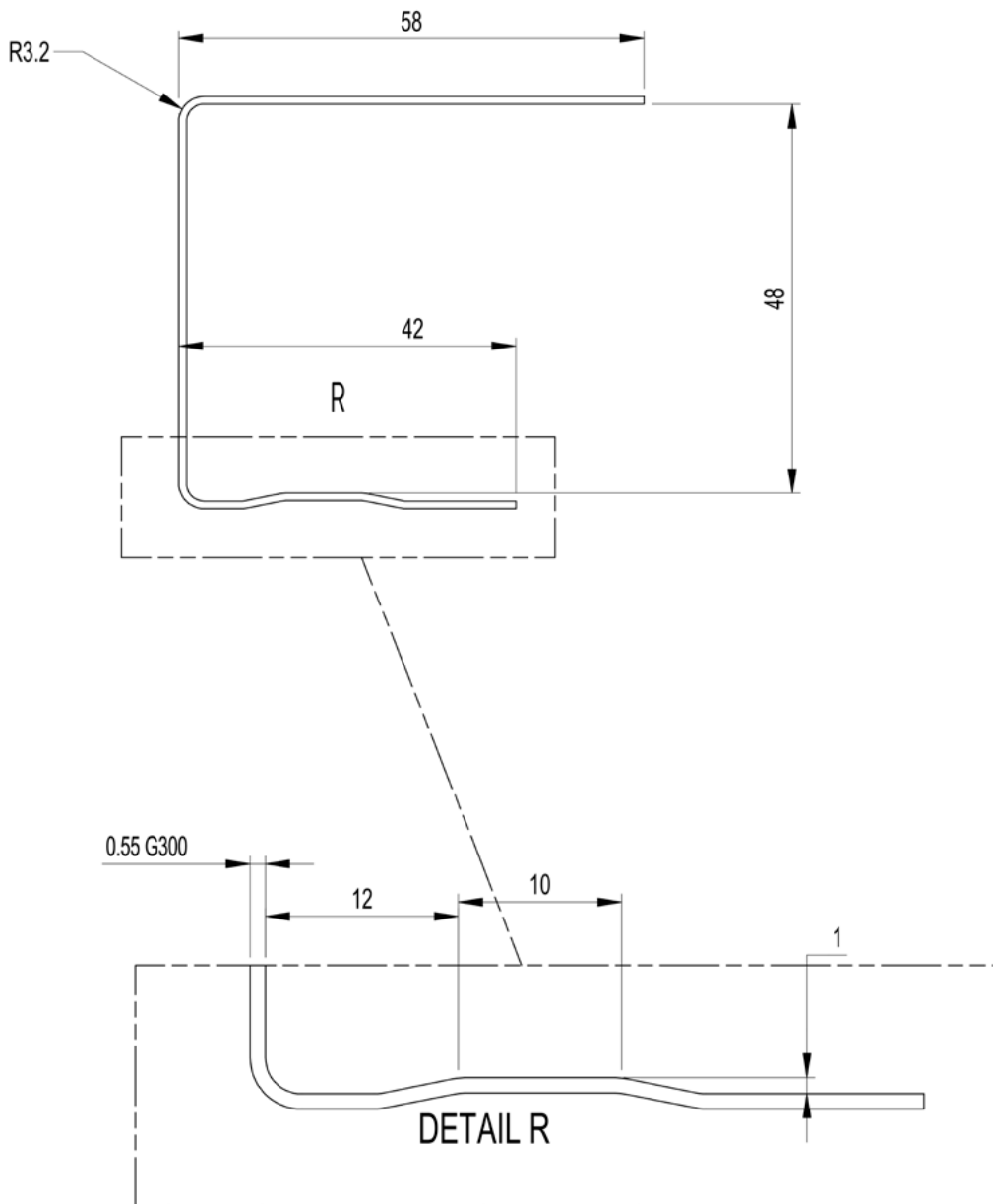
DESCRIPTION <b>DeltaSingle - RECEIVER CHANNEL</b>		DESIGNED BY <b>DP</b>	VERSION DATE <b>05/06/2019</b>
DELTA PANELS RESERVES THE RIGHT AT ANY TIME TO SUPPLY GOODS WITH MINOR MODIFICATIONS FROM ITS DRAWINGS AND FROM ITS SPECIFICATIONS AS IT SEES FIT.			
DRAWING NO. <b>DPC5315</b>	FOLDING TOLERANCE: ± 2.0 U.N.O	REV: <b>A</b>	SHEET <b>1/1</b>
	LENGTH TOLERANCE: ± 15.0-0.0		

# DeltaSingle Side Channel

**MATERIAL: 0.55MM G300**

**NOTE:**

STANDARD ANGLES WILL BE MADE AND CHARGED FOR, UNLESS OTHERWISE STATED



DESCRIPTION <b>DeltaSingle - SIDE CHANNEL</b>		DESIGNED BY <b>DP</b>	VERSION DATE <b>05/06/2019</b>
DELTA PANELS RESERVES THE RIGHT AT ANY TIME TO SUPPLY GOODS WITH MINOR MODIFICATIONS FROM ITS DRAWINGS AND FROM ITS SPECIFICATIONS AS IT SEES FIT.			
DRAWING NO. <b>DPC5315 - A</b>	FOLDING TOLERANCE: ± 2.0 U.N.O	REV: <b>A</b>	SHEET <b>1/1</b>
	LENGTH TOLERANCE: ± 15.0-0.0		

# DeltaTrim Receiver Channel

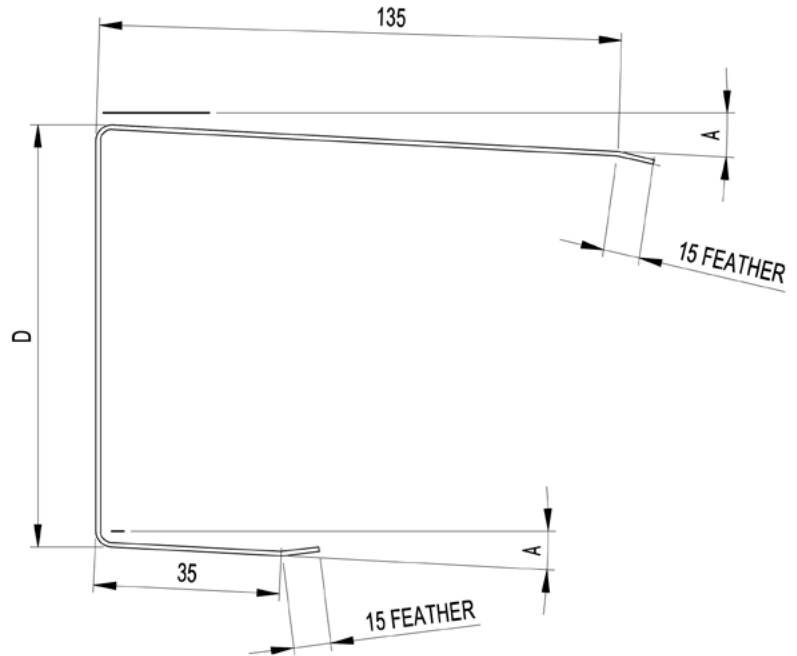
**MATERIAL: 1.2MM**

L=NUMBER OF PANELS +50mm

**COLOUR: SURFMIST**

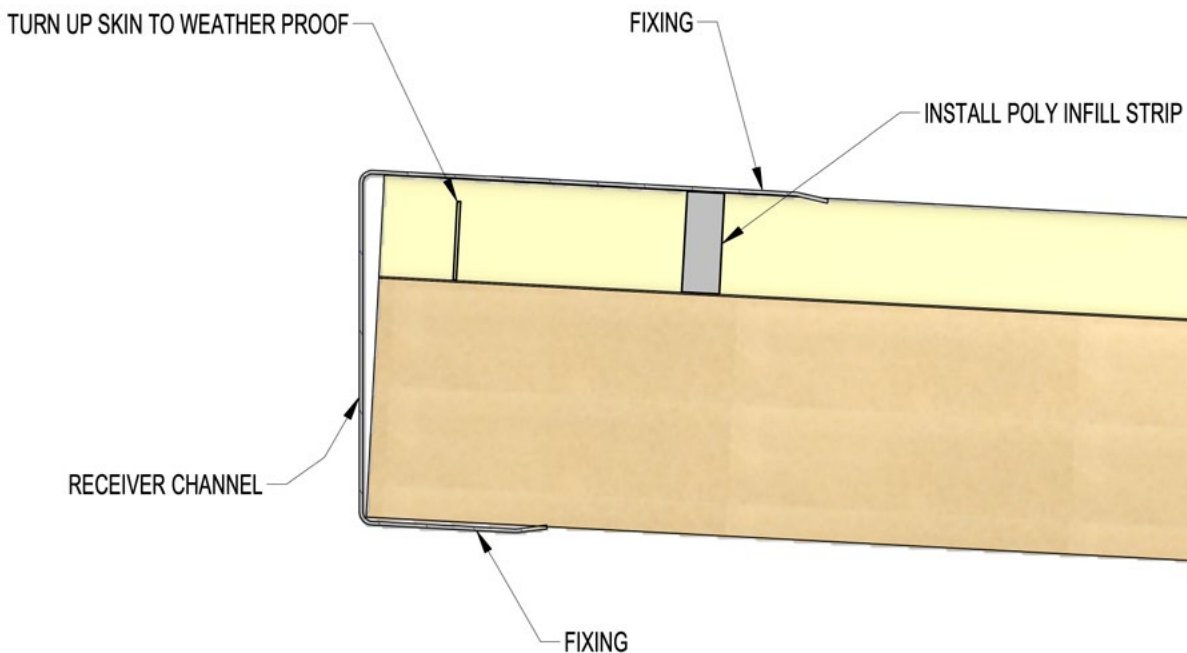
**NOTE:**

STANDARD ANGLES WILL BE MADE AND CHARGED FOR, UNLESS OTHERWISE STATED



THICKNESS	D
50mm	87
75mm	112
100mm	137
125mm	162
150mm	187
175mm	212
200mm	237

ROOF PITCH FOR THIS ORDER		
ANGLE	STD	REQD
A	2°	.....°



## Receiver Channel Assembly Detail

DESCRIPTION <b>DeltaTrim - RECEIVER CHANNEL</b>		DESIGNED BY <b>DP</b>	VERSION DATE <b>07/03/2023</b>
DELTA PANELS RESERVES THE RIGHT AT ANY TIME TO SUPPLY GOODS WITH MINOR MODIFICATIONS FROM ITS DRAWINGS AND FROM ITS SPECIFICATIONS AS IT SEES FIT.			
DRAWING NO. <b>DPC5340</b>	FOLDING TOLERANCE: ± 2.0 U.N.O	REV: <b>B</b>	SHEET <b>1/1</b>
	LENGTH TOLERANCE: ± 15.0-0.0		



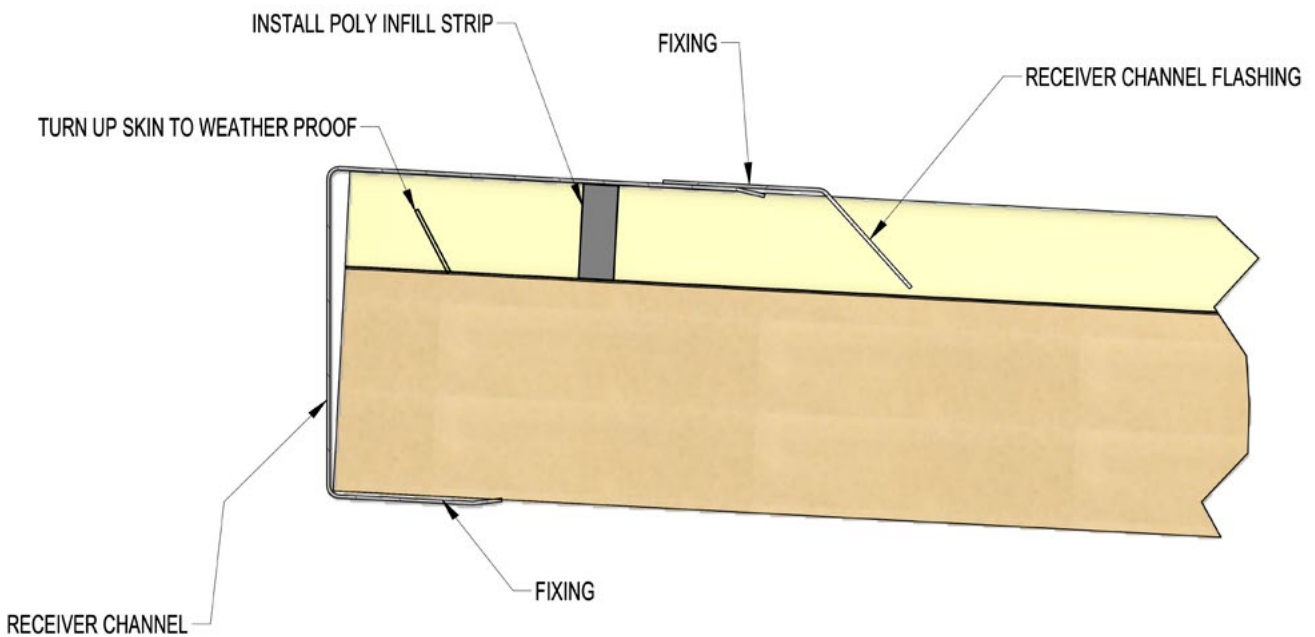
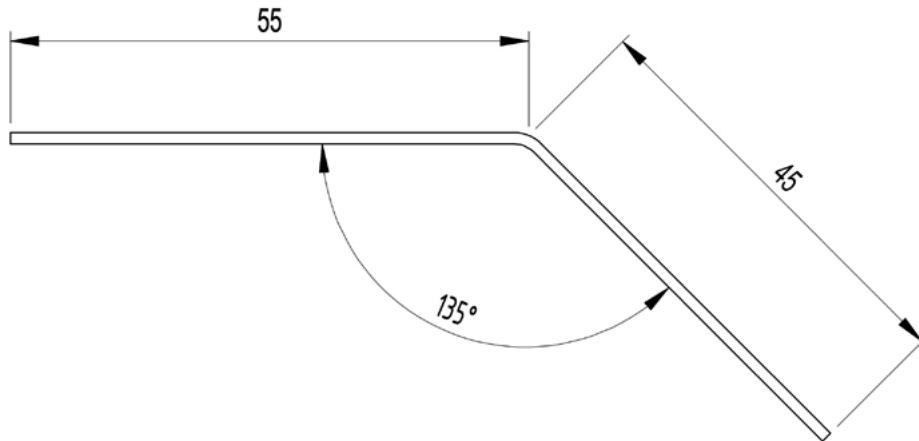
# DeltaTrim Scribe Flashing

**MATERIAL: 0.55MM G300**

**NOTE:**

STANDARD ANGLES WILL BE MADE AND CHARGED FOR, UNLESS OTHERWISE STATED

L=NUMBER OF PANELS +50mm



## Receiver Channel Assembly Detail

DESCRIPTION <b>DeltaTrim - SCRIBE FLASHING</b>		DESIGNED BY <b>DP</b>	VERSION DATE <b>07/03/2023</b>
DELTA PANELS RESERVES THE RIGHT AT ANY TIME TO SUPPLY GOODS WITH MINOR MODIFICATIONS FROM ITS DRAWINGS AND FROM ITS SPECIFICATIONS AS IT SEES FIT.			
DRAWING NO. <b>DPC5341</b>	FOLDING TOLERANCE: ± 2.0 U.N.O	REV: <b>B</b>	SHEET <b>1/1</b>
	LENGTH TOLERANCE: ± 15.0-0.0		

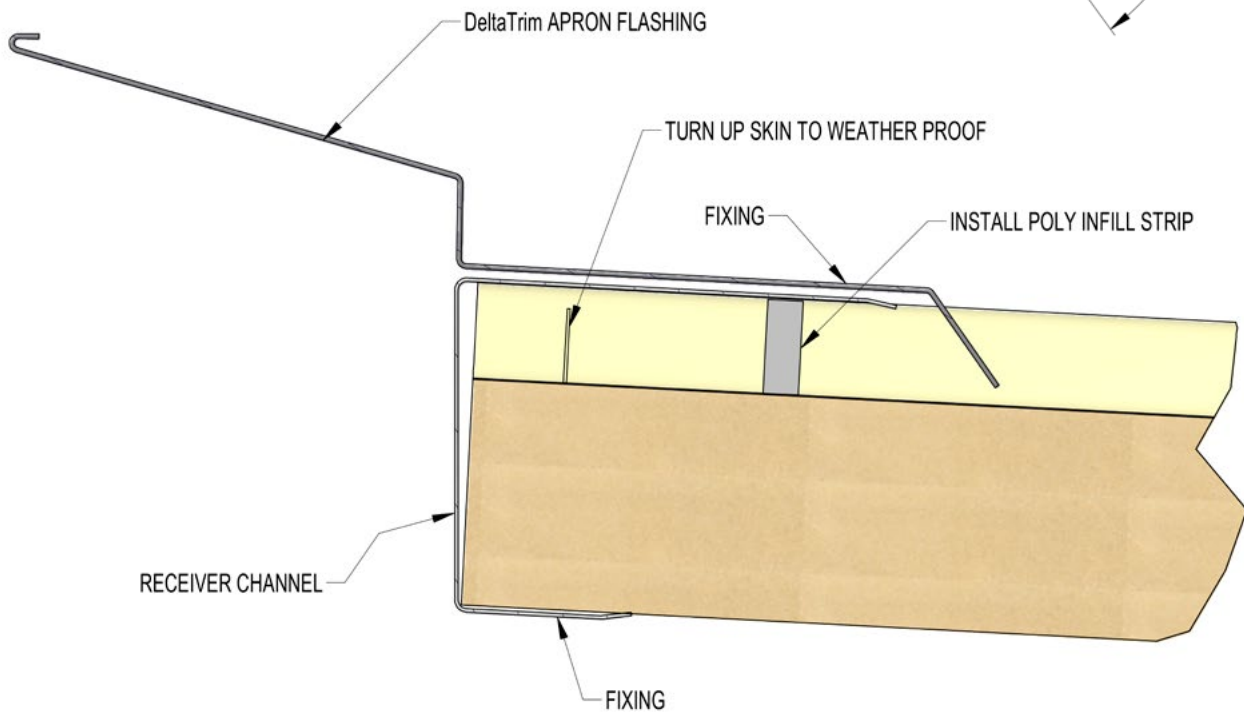
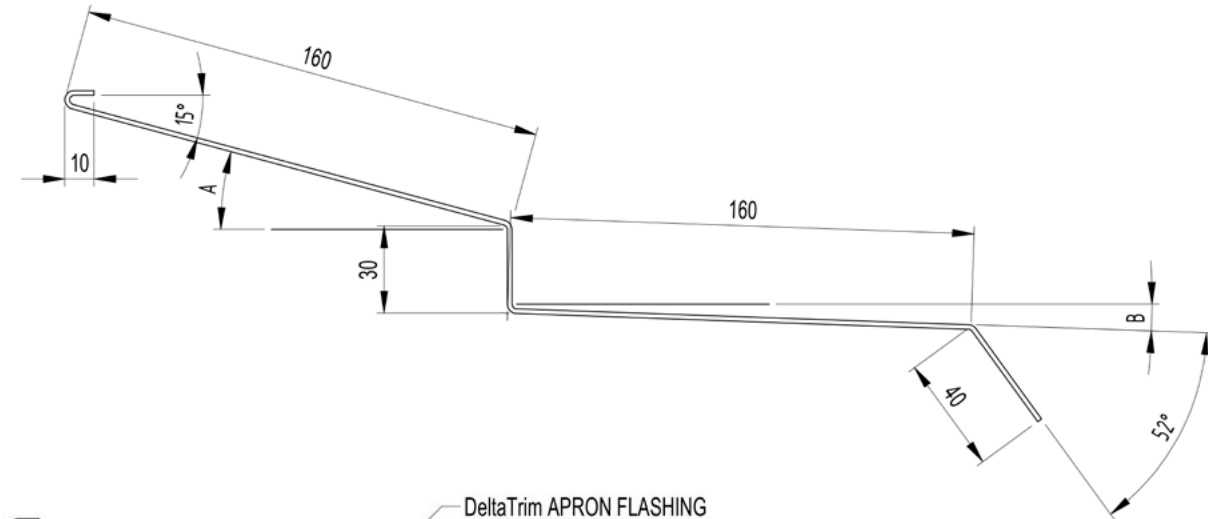
# DeltaTrim Apron Flashing

**MATERIAL: 0.55MM G300**

**NOTE:**

STANDARD ANGLES WILL BE MADE AND CHARGED FOR, UNLESS OTHERWISE STATED

ROOF PITCH FOR THIS ORDER		
ANGLE	STD	REQD
A	15°	.....°
B	2°	.....°



## Apron Flashing Assembly

DESCRIPTION <b>DeltaTrim - APRONG FLASHING</b>		DESIGNED BY <b>DP</b>	VERSION DATE <b>05/06/2019</b>
DELTA PANELS RESERVES THE RIGHT AT ANY TIME TO SUPPLY GOODS WITH MINOR MODIFICATIONS FROM ITS DRAWINGS AND FROM ITS SPECIFICATIONS AS IT SEES FIT.			
DRAWING NO. <b>DPC5075</b>	FOLDING TOLERANCE: ± 2.0 U.N.O	REV: <b>A</b>	SHEET <b>1/1</b>
	LENGTH TOLERANCE: ± 15.0-0.0		

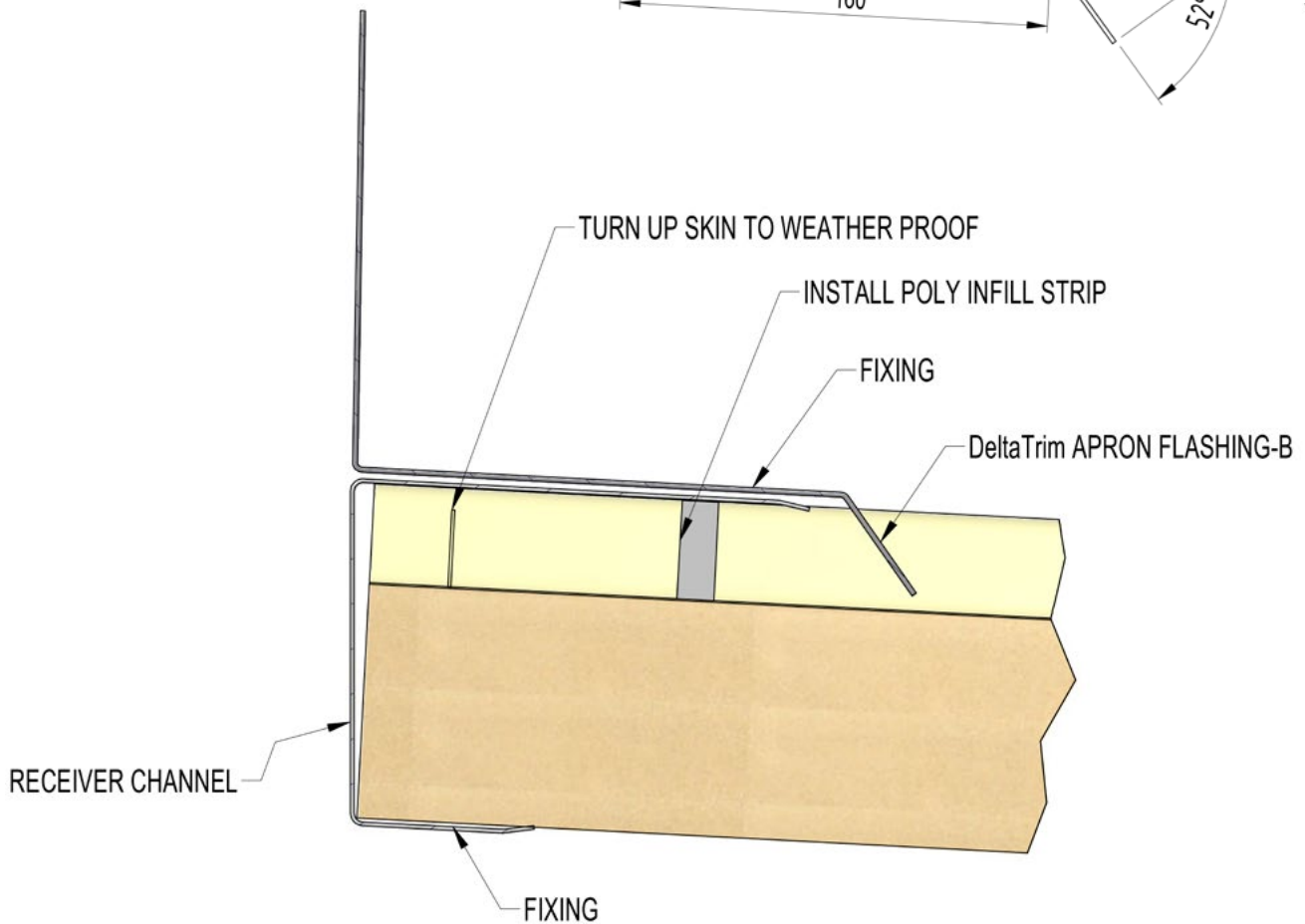
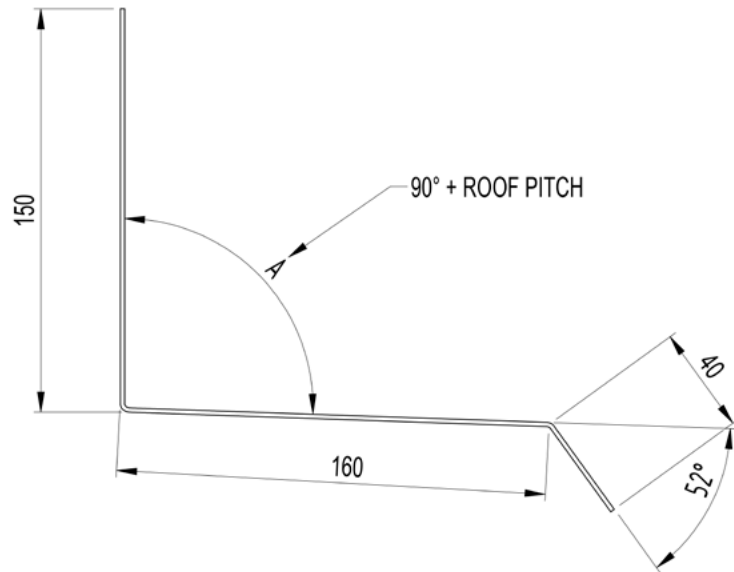
# DeltaTrim Apron Flashing-B

**MATERIAL: 0.55MM G300**

**NOTE:**

STANDARD ANGLES WILL BE MADE AND CHARGED FOR, UNLESS OTHERWISE STATED

ROOF PITCH FOR THIS ORDER		
ANGLE	STD	REQD
A	90°	.....°



**Apron Flashing-B Assembly Detail**

DESCRIPTION <b>DeltaTrim - APRON FLASHING-B</b>		DESIGNED BY <b>DP</b>	VERSION DATE <b>05/06/2019</b>
DELTA PANELS RESERVES THE RIGHT AT ANY TIME TO SUPPLY GOODS WITH MINOR MODIFICATIONS FROM ITS DRAWINGS AND FROM ITS SPECIFICATIONS AS IT SEES FIT.			
DRAWING NO. <b>DPC5078</b>	FOLDING TOLERANCE: ± 2.0 U.N.O	REV: <b>A</b>	SHEET <b>1/1</b>
	LENGTH TOLERANCE: ± 15.0-0.0		

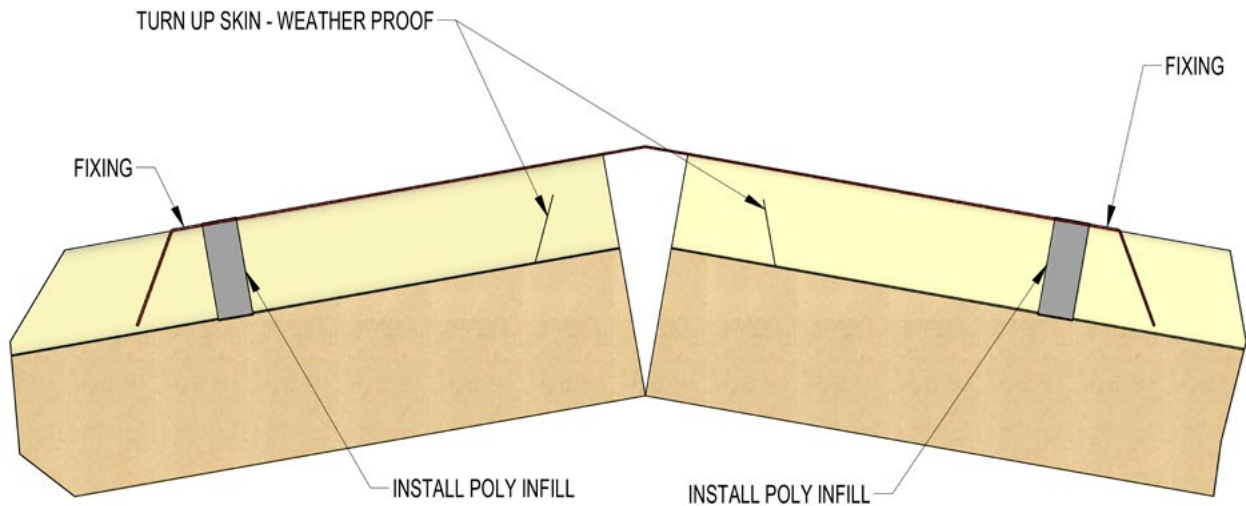
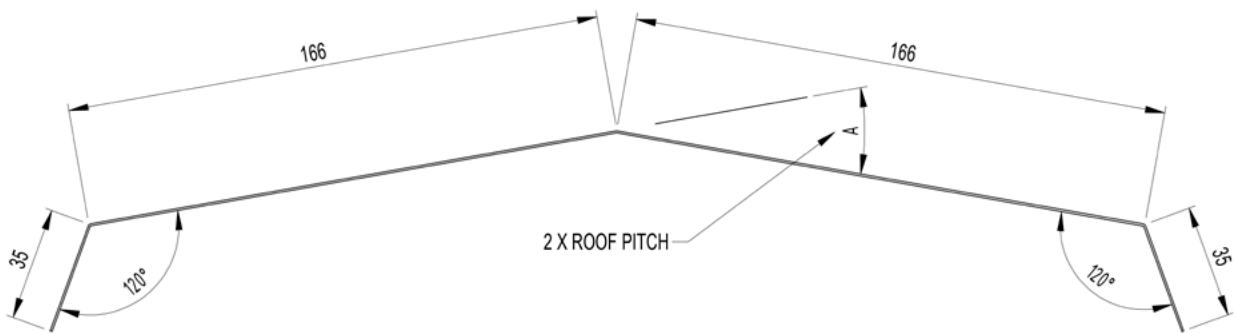
# DeltaTrim Ridge Cap

**MATERIAL: 0.55MM G300**

**NOTE:**

STANDARD ANGLES WILL BE MADE AND CHARGED FOR, UNLESS OTHERWISE STATED

ROOF PITCH FOR THIS ORDER		
ANGLE	STD	REQD
A	4°	.....°



## Ridge Cap Fixing Assembly Detail

DESCRIPTION <b>DeltaTrim - RIDGE CAP</b>		DESIGNED BY <b>DP</b>	VERSION DATE <b>05/06/2019</b>
DELTA PANELS RESERVES THE RIGHT AT ANY TIME TO SUPPLY GOODS WITH MINOR MODIFICATIONS FROM ITS DRAWINGS AND FROM ITS SPECIFICATIONS AS IT SEES FIT.			
DRAWING NO. <b>DPC5050</b>	FOLDING TOLERANCE: ± 2.0 U.N.O	REV: <b>A</b>	SHEET <b>1/1</b>
	LENGTH TOLERANCE: ± 15.0-0.0		

# DeltaTrim Side Barge Capping

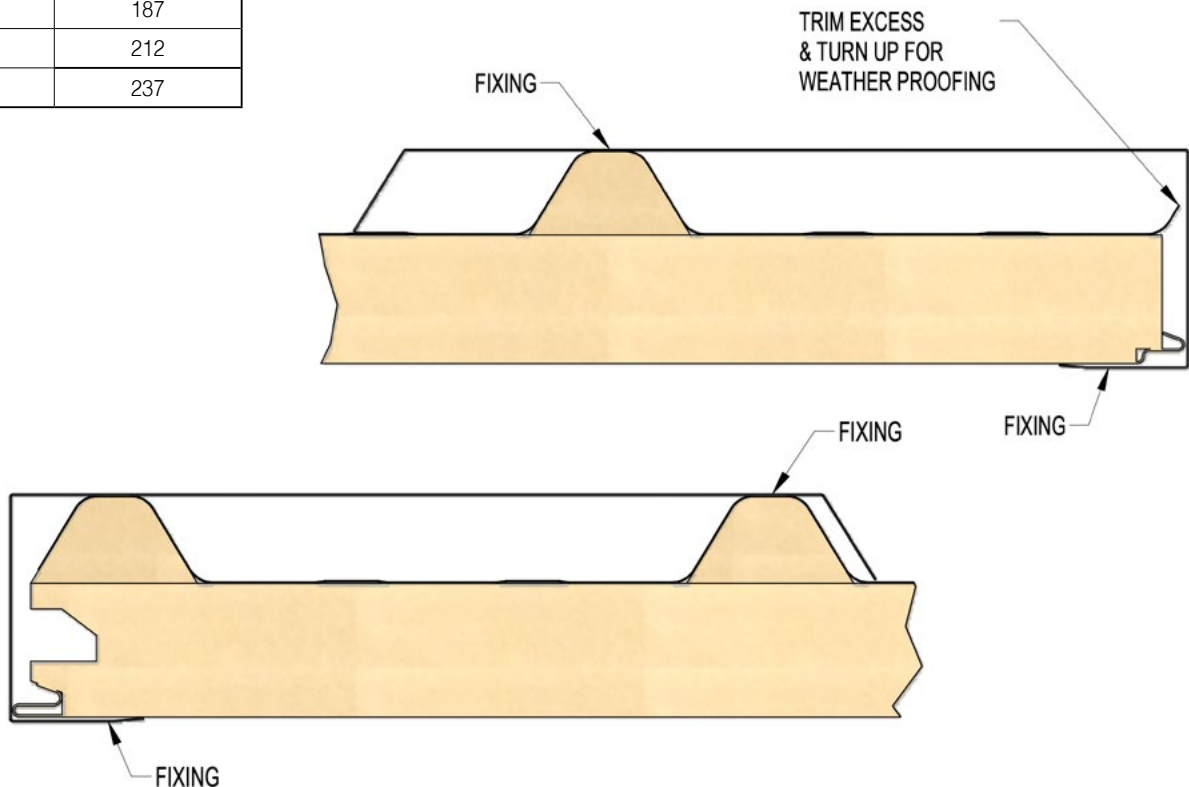
**MATERIAL: 0.55MM G300**

**NOTE:**

STANDARD ANGLES WILL BE MADE AND CHARGED FOR, UNLESS OTHERWISE STATED



THICKNESS	D
50mm	87
75mm	112
100mm	137
125mm	162
150mm	187
175mm	212
200mm	237



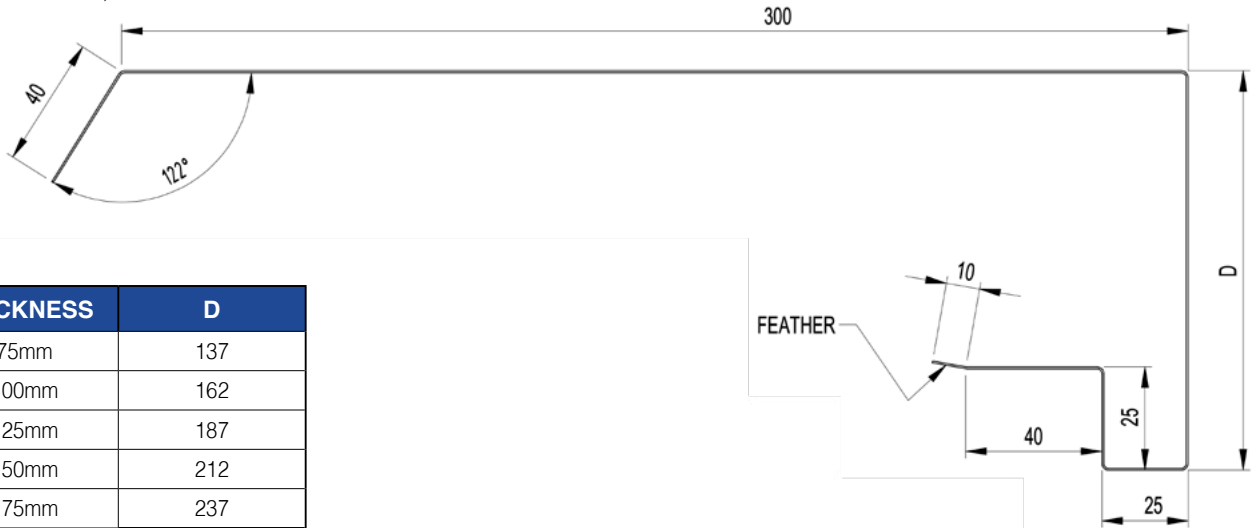
DESCRIPTION <b>DeltaTrim - SIDE BARGE CAPPING</b>		DESIGNED BY <b>DP</b>	VERSION DATE <b>07/03/2023</b>
DELTA PANELS RESERVES THE RIGHT AT ANY TIME TO SUPPLY GOODS WITH MINOR MODIFICATIONS FROM ITS DRAWINGS AND FROM ITS SPECIFICATIONS AS IT SEES FIT.			
DRAWING NO. <b>DPC5015</b>	FOLDING TOLERANCE: ± 2.0 U.N.O	REV: <b>B</b>	SHEET <b>1/1</b>
	LENGTH TOLERANCE: ± 15.0-0.0		

# DeltaTrim Side Barge Capping with Drip Guard

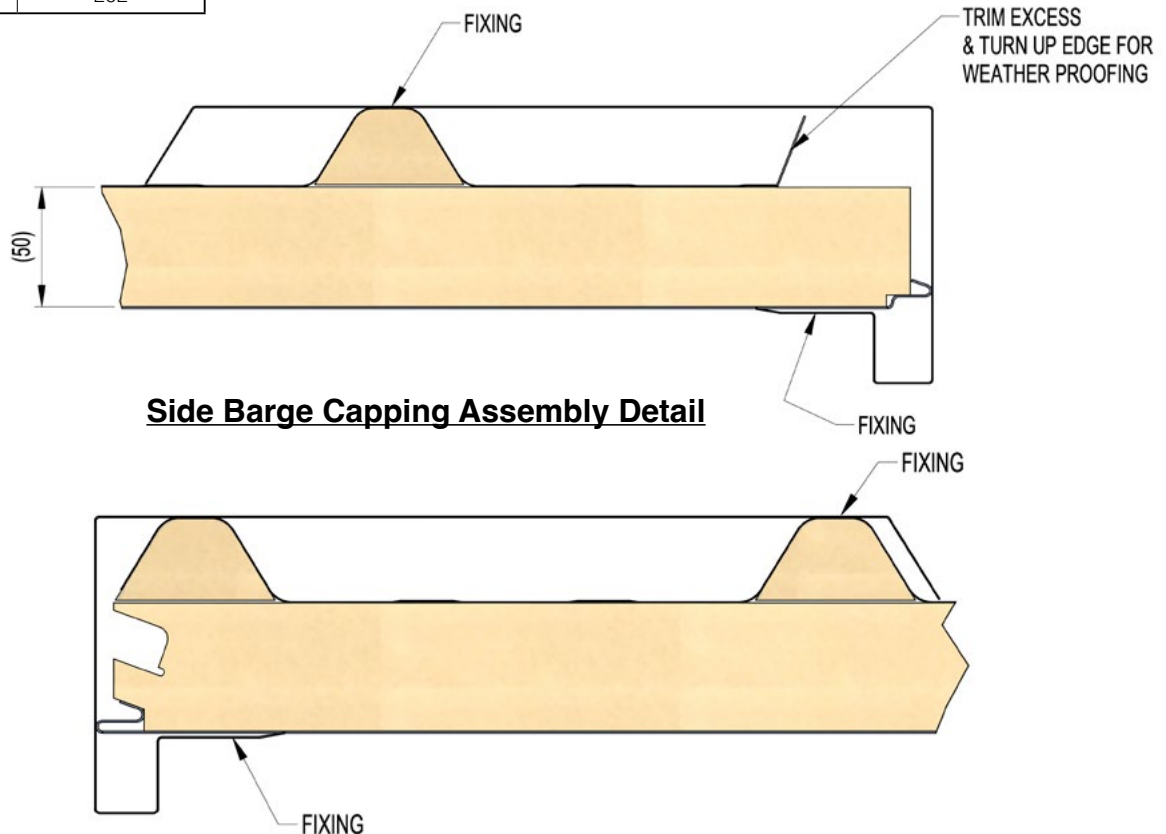
**MATERIAL: 0.55MM G300**

**NOTE:**

STANDARD ANGLES WILL BE MADE AND CHARGED FOR, UNLESS OTHERWISE STATED



THICKNESS	D
75mm	137
100mm	162
125mm	187
150mm	212
175mm	237
200mm	262



**Side Barge Capping Assembly Detail**

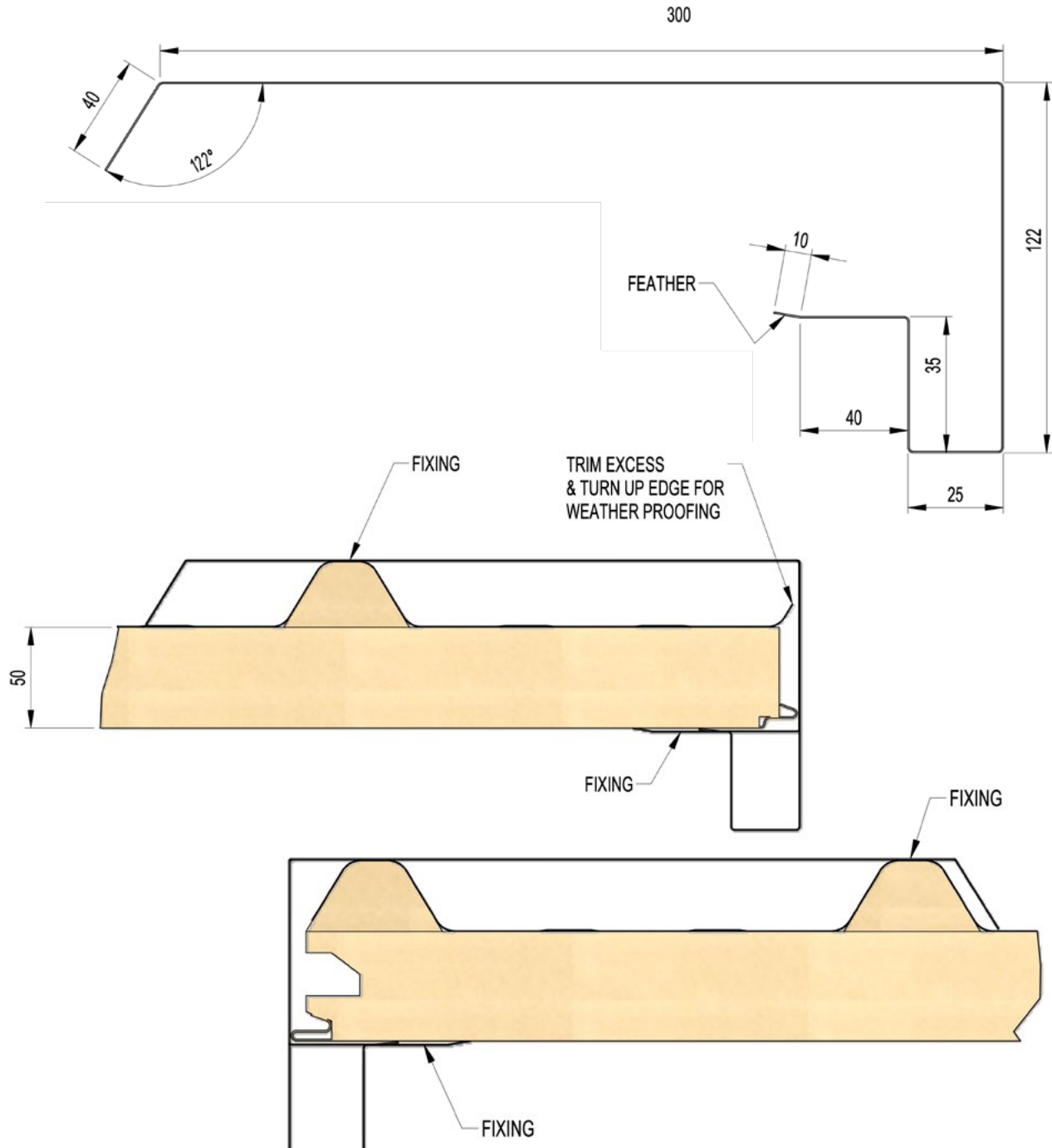
DESCRIPTION <b>DeltaTrim - SIDE BARGE CAPPING WITH DRIP GUARD</b>		DESIGNED BY <b>DP</b>	VERSION DATE <b>07/03/2023</b>
DELTA PANELS RESERVES THE RIGHT AT ANY TIME TO SUPPLY GOODS WITH MINOR MODIFICATIONS FROM ITS DRAWINGS AND FROM ITS SPECIFICATIONS AS IT SEES FIT.			
DRAWING NO. <b>DPC5316</b>	FOLDING TOLERANCE: ± 2.0 U.N.O LENGTH TOLERANCE: ± 15.0-0.0	REV: <b>B</b>	SHEET <b>1/1</b>

# DeltaTrim Side Barge with Drip Guard - 50mm Only

**MATERIAL: 0.55MM G300**

**NOTE:**

STANDARD ANGLES WILL BE MADE AND CHARGED FOR, UNLESS OTHERWISE STATED



**Side Barge Assembly Detail**

DESCRIPTION <b>DeltaTrim - SIDE BARGE WITH DRIP GUARD - 50MM ONLY</b>		DESIGNED BY <b>DP</b>	VERSION DATE <b>07/03/2023</b>
DELTA PANELS RESERVES THE RIGHT AT ANY TIME TO SUPPLY GOODS WITH MINOR MODIFICATIONS FROM ITS DRAWINGS AND FROM ITS SPECIFICATIONS AS IT SEES FIT.			
DRAWING NO. <b>DPC5344</b>	FOLDING TOLERANCE: ± 2.0 U.N.O	REV: <b>B</b>	SHEET <b>1/1</b>
	LENGTH TOLERANCE: ± 15.0-0.0		



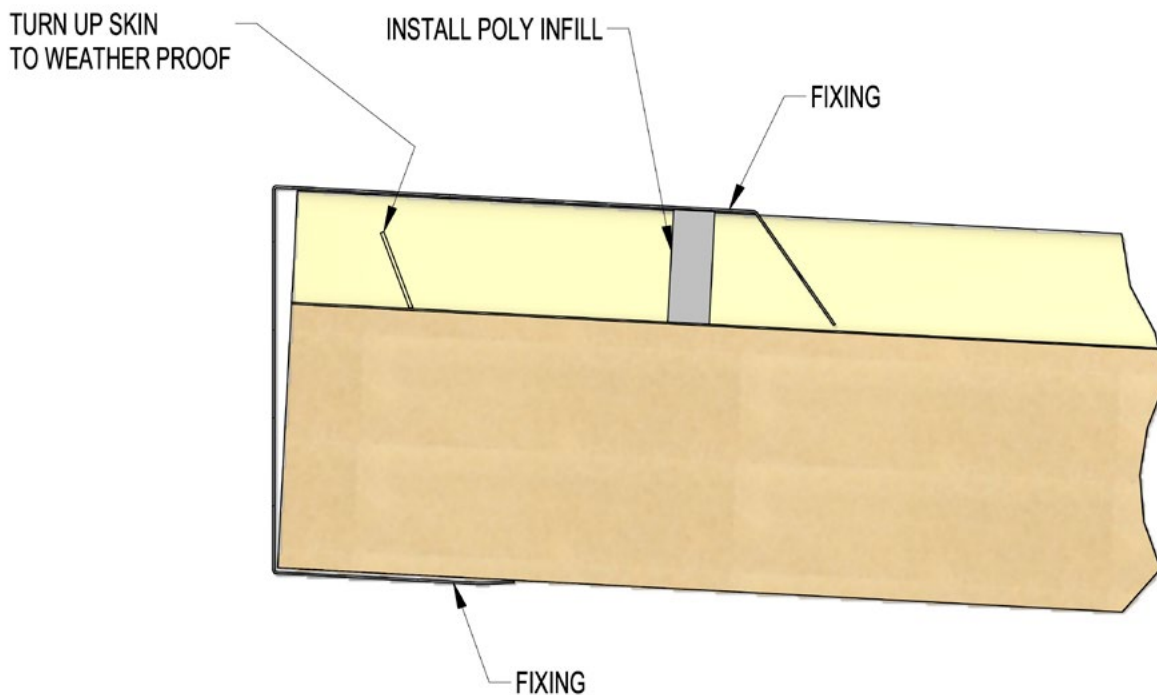
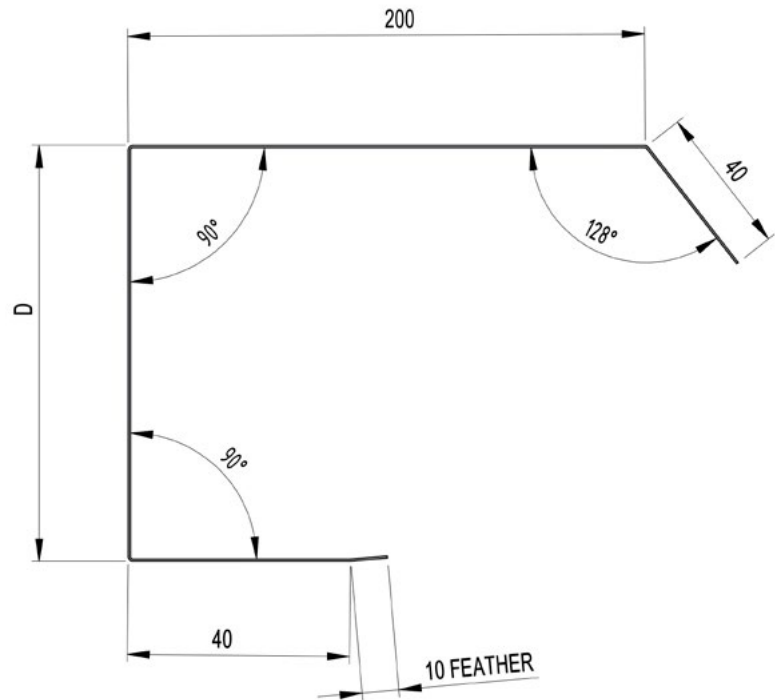
# DeltaTrim Rear Barge Capping

**MATERIAL: 0.55MM G300**

**NOTE:**

STANDARD ANGLES WILL BE MADE AND CHARGED FOR, UNLESS OTHERWISE STATED

THICKNESS	D
50mm	87
75mm	112
100mm	137
125mm	162
150mm	187
175mm	212
200mm	237



**Rear Barge Capping Assembly Detail**

DESCRIPTION <b>DeltaTrim - REAR BARGE CAPPING</b>		DESIGNED BY <b>DP</b>	VERSION DATE <b>07/03/2023</b>
DELTA PANELS RESERVES THE RIGHT AT ANY TIME TO SUPPLY GOODS WITH MINOR MODIFICATIONS FROM ITS DRAWINGS AND FROM ITS SPECIFICATIONS AS IT SEES FIT.			
DRAWING NO. <b>DPC5021</b>	FOLDING TOLERANCE: ± 2.0 U.N.O	REV: <b>B</b>	SHEET <b>1/1</b>
	LENGTH TOLERANCE: ± 15.0-0.0		



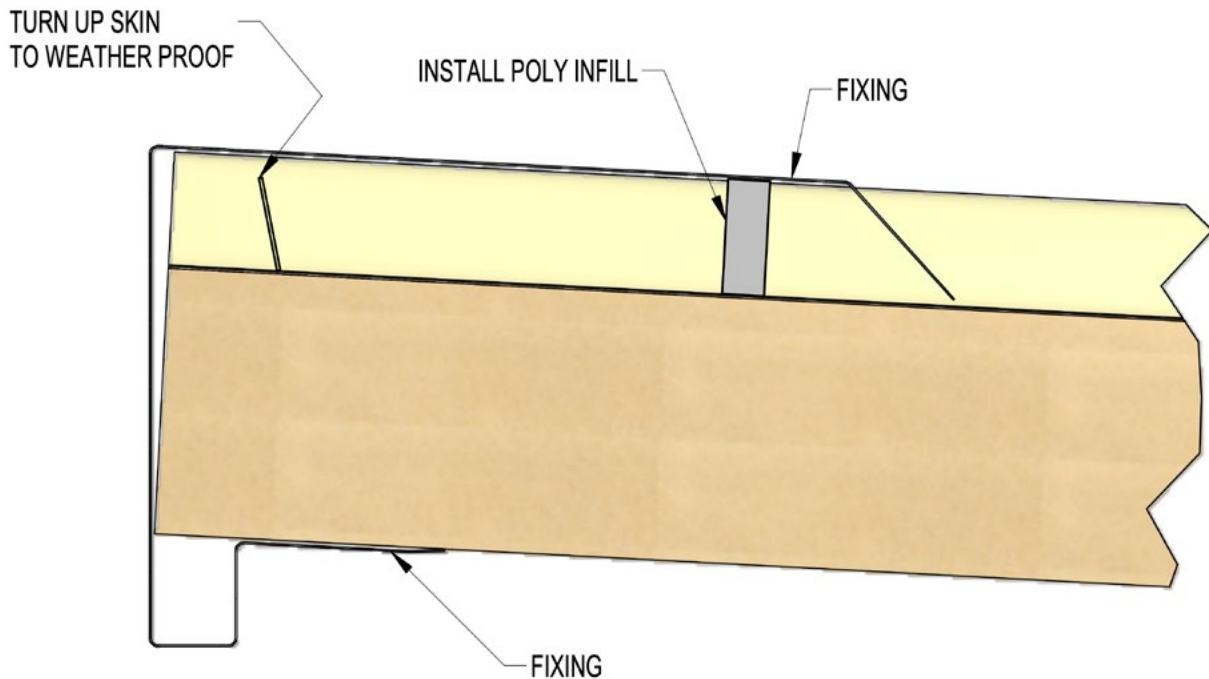
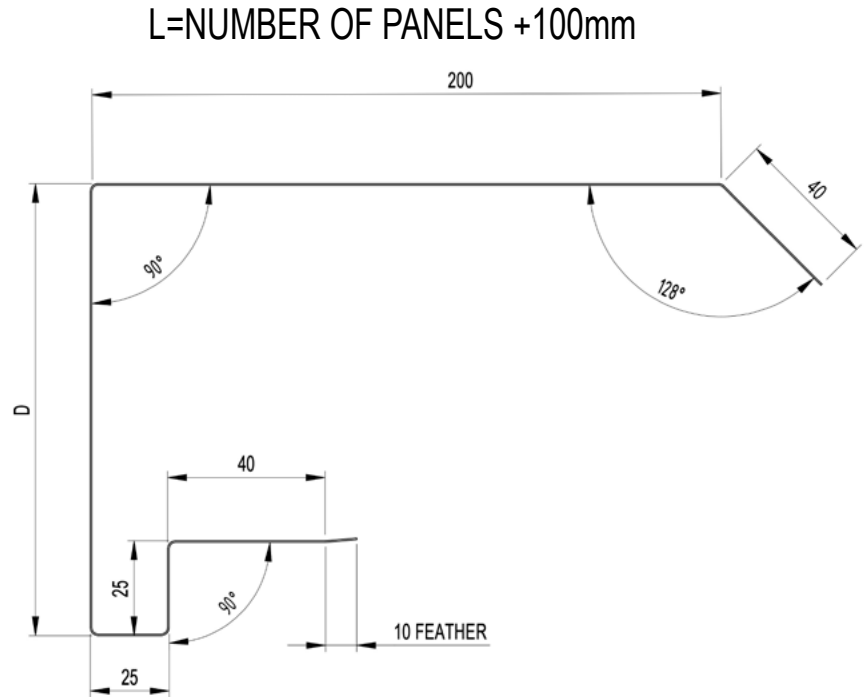
# DeltaTrim Rear Barge Capping with Drip Guard

**MATERIAL: 0.55MM G300**

**NOTE:**

STANDARD ANGLES WILL BE MADE AND CHARGED FOR, UNLESS OTHERWISE STATED

THICKNESS	D
75mm	137
100mm	162
125mm	187
150mm	212
175mm	237
200mm	262



**Rear Barge Capping Assembly Detail**

DESCRIPTION <b>DeltaTrim - REAR BARGE CAPPING WITH DRIP GUARD</b>		DESIGNED BY <b>DP</b>	VERSION DATE <b>07/03/2023</b>
DELTA PANELS RESERVES THE RIGHT AT ANY TIME TO SUPPLY GOODS WITH MINOR MODIFICATIONS FROM ITS DRAWINGS AND FROM ITS SPECIFICATIONS AS IT SEES FIT.			
DRAWING NO. <b>DPC5339</b>	FOLDING TOLERANCE: ± 2.0 U.N.O	REV: <b>B</b>	SHEET <b>1/1</b>
	LENGTH TOLERANCE: ± 15.0-0.0		

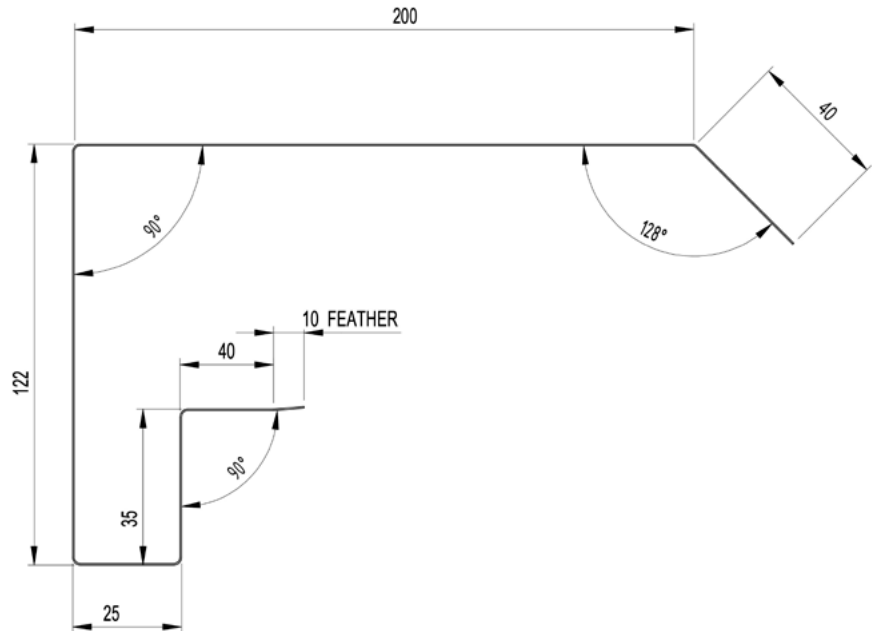
# DeltaTrim Rear Barge Capping - 50mm Only

**MATERIAL: 0.55MM G300**

**NOTE:**

STANDARD ANGLES WILL BE MADE AND CHARGED FOR, UNLESS OTHERWISE STATED

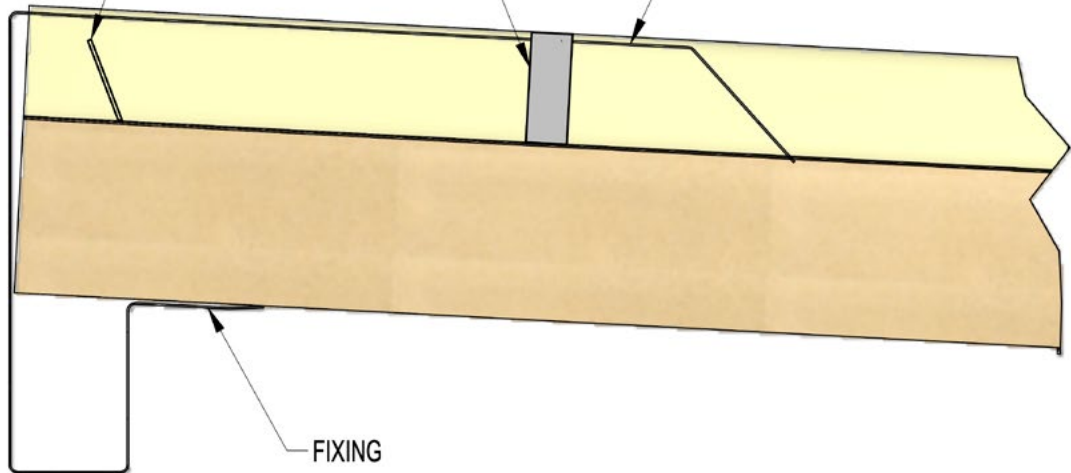
$L = \text{NUMBER OF PANELS} + 100\text{mm}$



TURN UP SKIN TO WEATHER PROOF

FIT POLY INFILL

FIXING



**Rear Barge Capping Assembly Detail**

DESCRIPTION <b>DeltaTrim - REAR BARGE CAPPING - 50MM ONLY</b>		DESIGNED BY <b>DP</b>	VERSION DATE <b>07/03/2023</b>
DELTA PANELS RESERVES THE RIGHT AT ANY TIME TO SUPPLY GOODS WITH MINOR MODIFICATIONS FROM ITS DRAWINGS AND FROM ITS SPECIFICATIONS AS IT SEES FIT.			
DRAWING NO. <b>DPC5336</b>	FOLDING TOLERANCE: ± 2.0 U.N.O	REV: <b>B</b>	SHEET <b>1/1</b>
	LENGTH TOLERANCE: ± 15.0-0.0		

# DeltaTrim Fascia Flashing

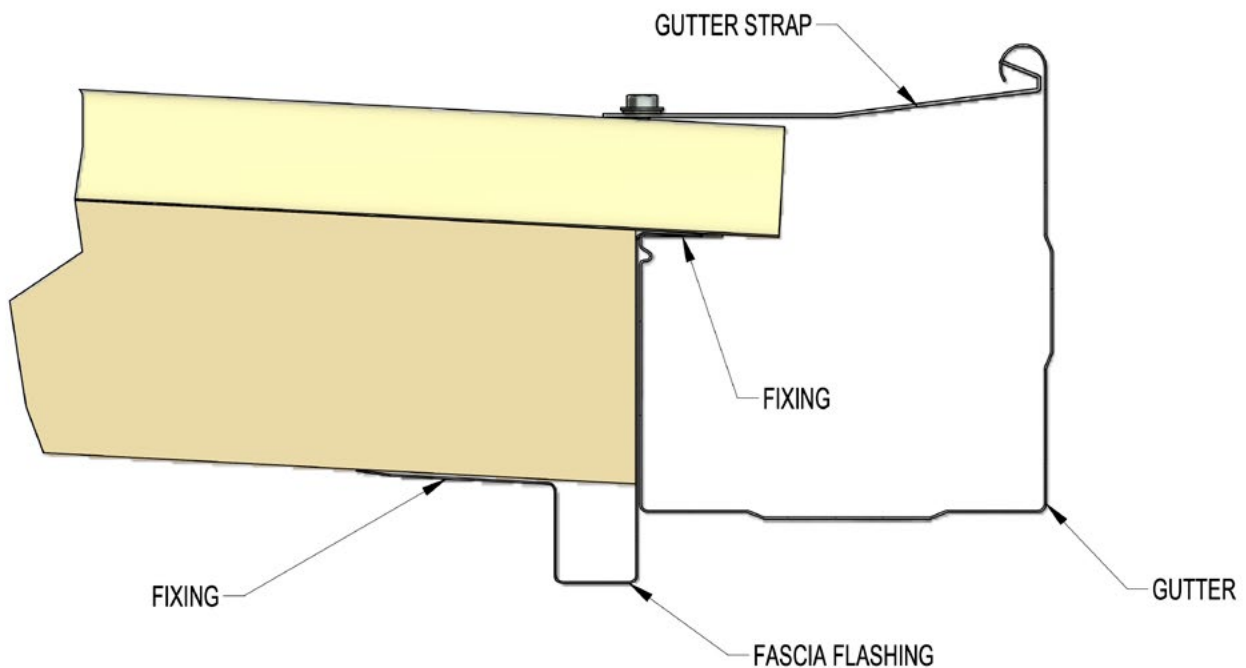
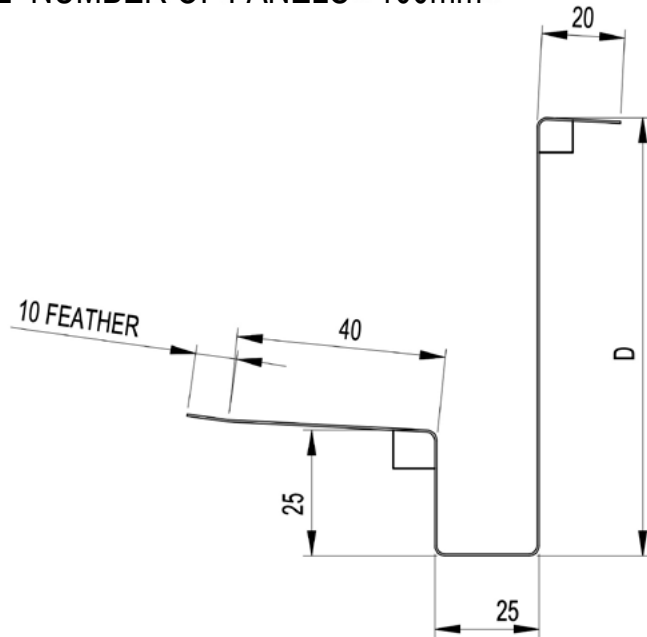
**MATERIAL: 0.55MM G300**

**NOTE:**

STANDARD ANGLES WILL BE MADE AND CHARGED FOR, UNLESS OTHERWISE STATED

L=NUMBER OF PANELS +100mm

THICKNESS	D
75mm	101
100mm	126
125mm	151
150mm	176
175mm	201
200mm	226



**Flashing Assembly Detail**

DESCRIPTION <b>DeltaTrim - FASCIA FLASHING</b>		DESIGNED BY <b>DP</b>	VERSION DATE <b>07/03/2023</b>
DELTA PANELS RESERVES THE RIGHT AT ANY TIME TO SUPPLY GOODS WITH MINOR MODIFICATIONS FROM ITS DRAWINGS AND FROM ITS SPECIFICATIONS AS IT SEES FIT.			
DRAWING NO. <b>DPC5338</b>	FOLDING TOLERANCE: ± 2.0 U.N.O	REV: <b>B</b>	SHEET <b>1/1</b>
	LENGTH TOLERANCE: ± 15.0-0.0		

# DeltaTrim Fascia Flashing - 50mm Only

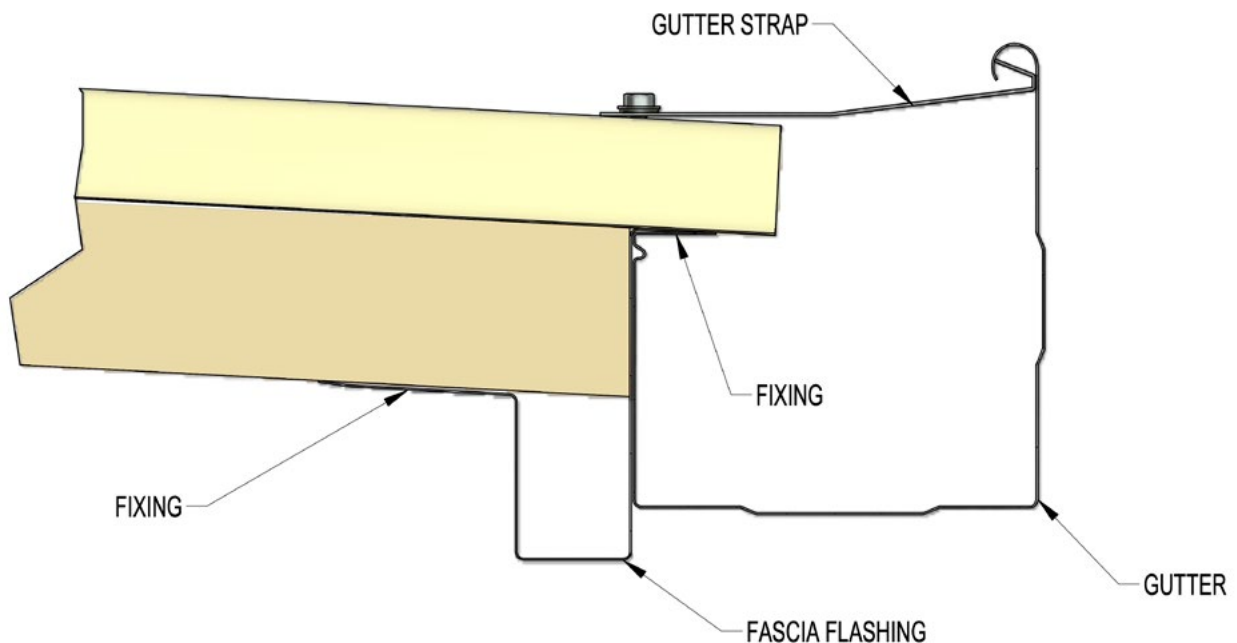
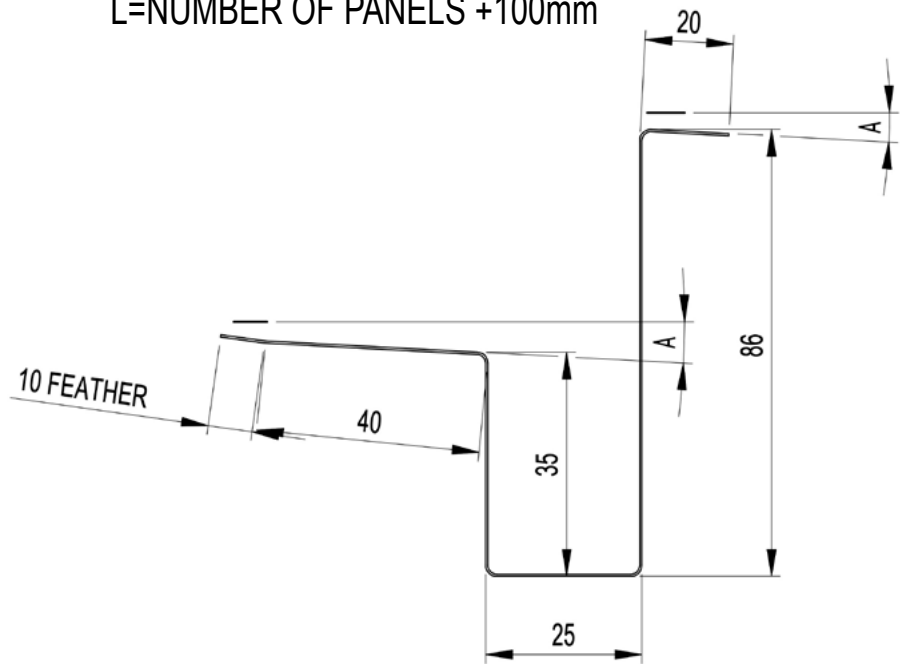
**MATERIAL: 0.55MM G300**

**NOTE:**

STANDARD ANGLES WILL BE MADE AND CHARGED FOR, UNLESS OTHERWISE STATED

$L = \text{NUMBER OF PANELS} + 100\text{mm}$

ROOF PITCH FOR THIS ORDER		
ANGLE	STD	REQD
A	2°	.....°



**Flashing Assembly Detail**

DESCRIPTION <b>DeltaTrim - FASCIA FLASHING - 50MM ONLY</b>		DESIGNED BY <b>DP</b>	VERSION DATE <b>07/03/2023</b>
DELTA PANELS RESERVES THE RIGHT AT ANY TIME TO SUPPLY GOODS WITH MINOR MODIFICATIONS FROM ITS DRAWINGS AND FROM ITS SPECIFICATIONS AS IT SEES FIT.			
DRAWING NO. <b>DPC5335</b>	FOLDING TOLERANCE: ± 2.0 U.N.O	REV: <b>B</b>	SHEET <b>1/1</b>
	LENGTH TOLERANCE: ± 15.0-0.0		

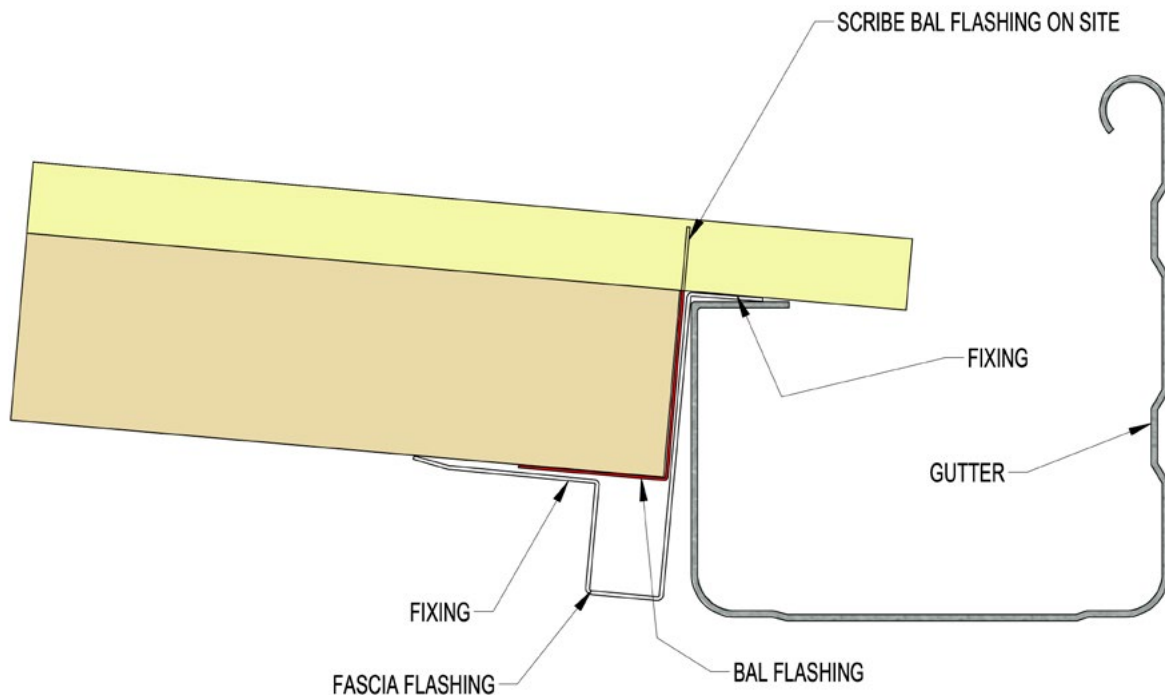
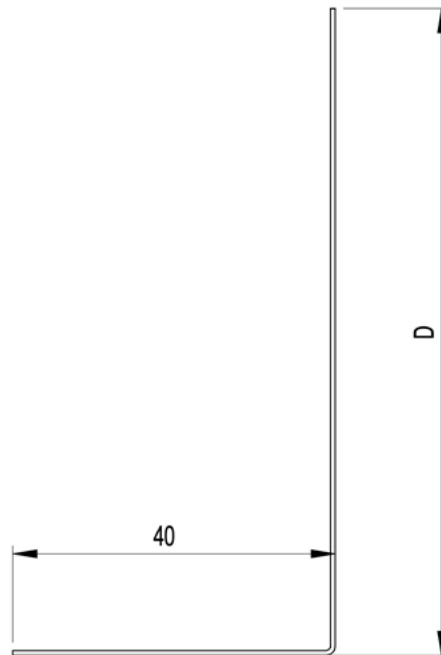
# DeltaTrim Fascia “BAL” Flashing

**MATERIAL: 0.55MM G300**

**NOTE:**

STANDARD ANGLES WILL BE MADE AND CHARGED FOR, UNLESS OTHERWISE STATED

THICKNESS	D
50mm	100
75mm	125
100mm	150
125mm	175
150mm	200
175mm	225
200mm	250



DESCRIPTION <b>DeltaTrim - FASCIA “BAL” FLASHING</b>		DESIGNED BY <b>DP</b>	VERSION DATE <b>08/03/2023</b>
DELTA PANELS RESERVES THE RIGHT AT ANY TIME TO SUPPLY GOODS WITH MINOR MODIFICATIONS FROM ITS DRAWINGS AND FROM ITS SPECIFICATIONS AS IT SEES FIT.			
DRAWING NO. <b>DPC5350</b>	FOLDING TOLERANCE: ± 2.0 U.N.O	REV: <b>A</b>	SHEET <b>1/1</b>
	LENGTH TOLERANCE: ± 15.0-0.0		

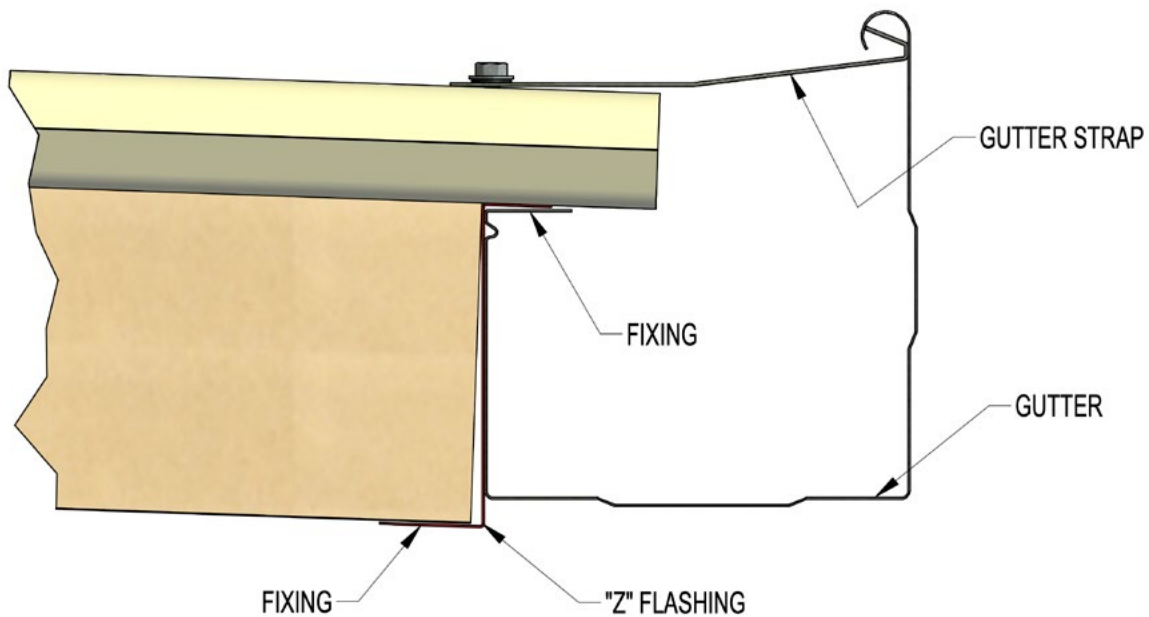
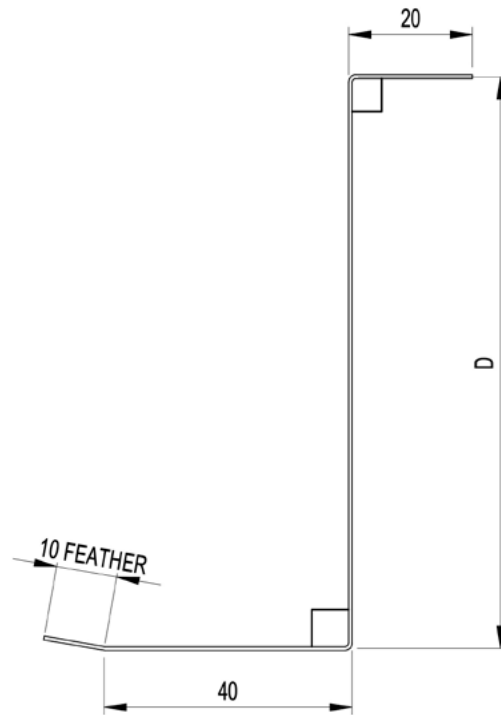
# DeltaTrim “Z” Flashing

**MATERIAL: 0.55MM G300**

**NOTE:**

STANDARD ANGLES WILL BE MADE AND CHARGED FOR, UNLESS OTHERWISE STATED

THICKNESS	D
50mm	51
75mm	76
100mm	101
125mm	126
150mm	151
175mm	176
200mm	201



## “Z” Flashing Assembly Detail

DESCRIPTION <b>DeltaTrim - “Z” FLASHING</b>		DESIGNED BY <b>DP</b>	VERSION DATE <b>10/03/2023</b>
DELTA PANELS RESERVES THE RIGHT AT ANY TIME TO SUPPLY GOODS WITH MINOR MODIFICATIONS FROM ITS DRAWINGS AND FROM ITS SPECIFICATIONS AS IT SEES FIT.			
DRAWING NO. <b>DPC5351</b>	FOLDING TOLERANCE: ± 2.0 U.N.O	REV: <b>A</b>	SHEET <b>1/1</b>
	LENGTH TOLERANCE: ± 15.0-0.0		

# DeltaOrb Receiver Channel

**MATERIAL: 1.2MM BMT**

**COLOUR:**

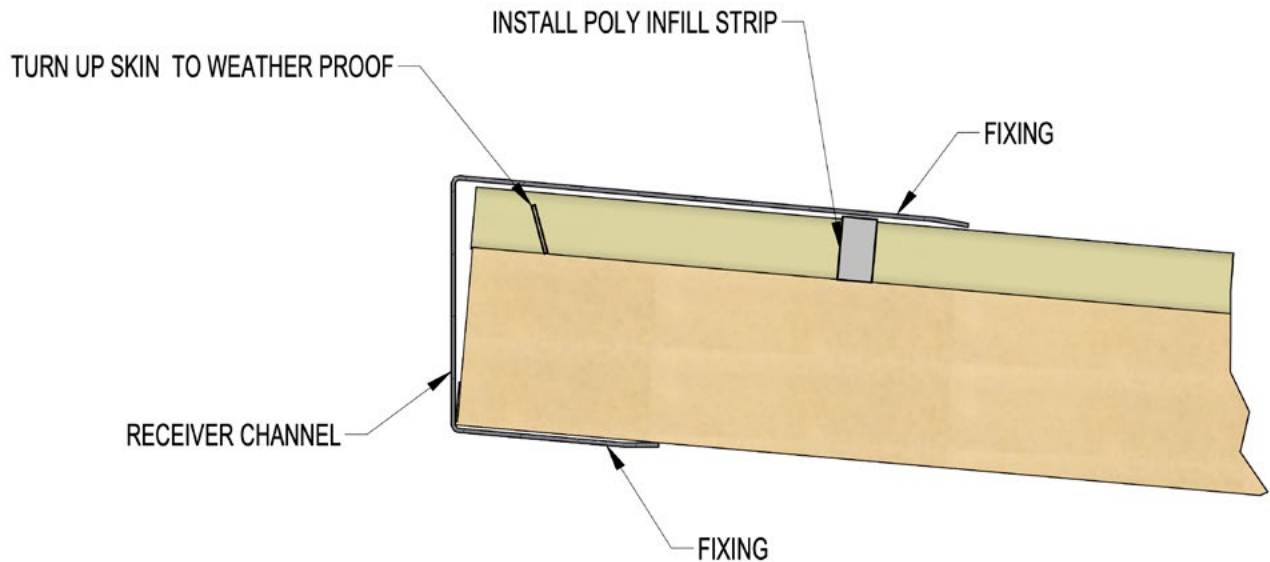
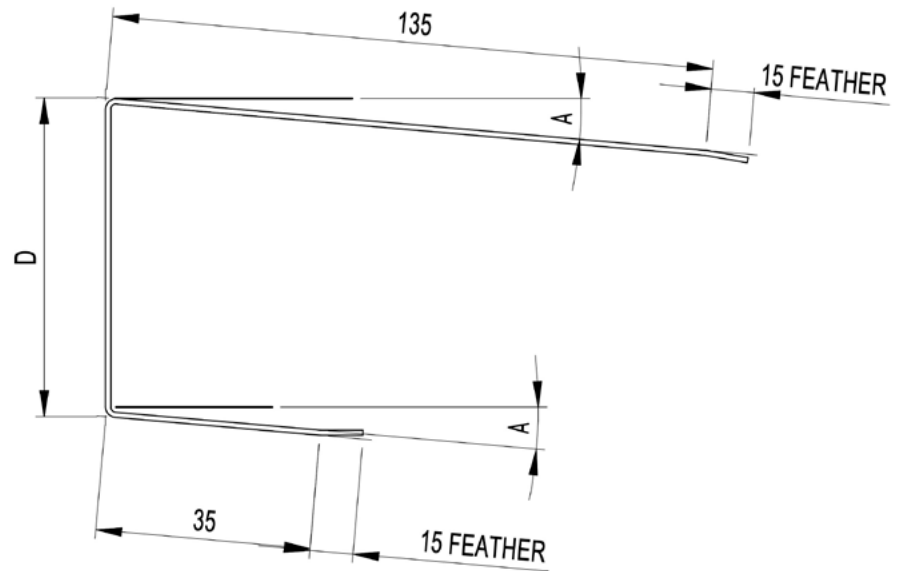
SURFMIST / OFFWHITE ONLY

**NOTE:**

STANDARD ANGLES WILL BE MADE AND CHARGED FOR, UNLESS OTHERWISE STATED

THICKNESS	D
50mm	72
75mm	97
100mm	122
125mm	147
150mm	172
175mm	197
200mm	222

ROOF PITCH FOR THIS ORDER		
ANGLE	STD	REQD
A	3°	.....°



## Receiver Channel Assembly Detail

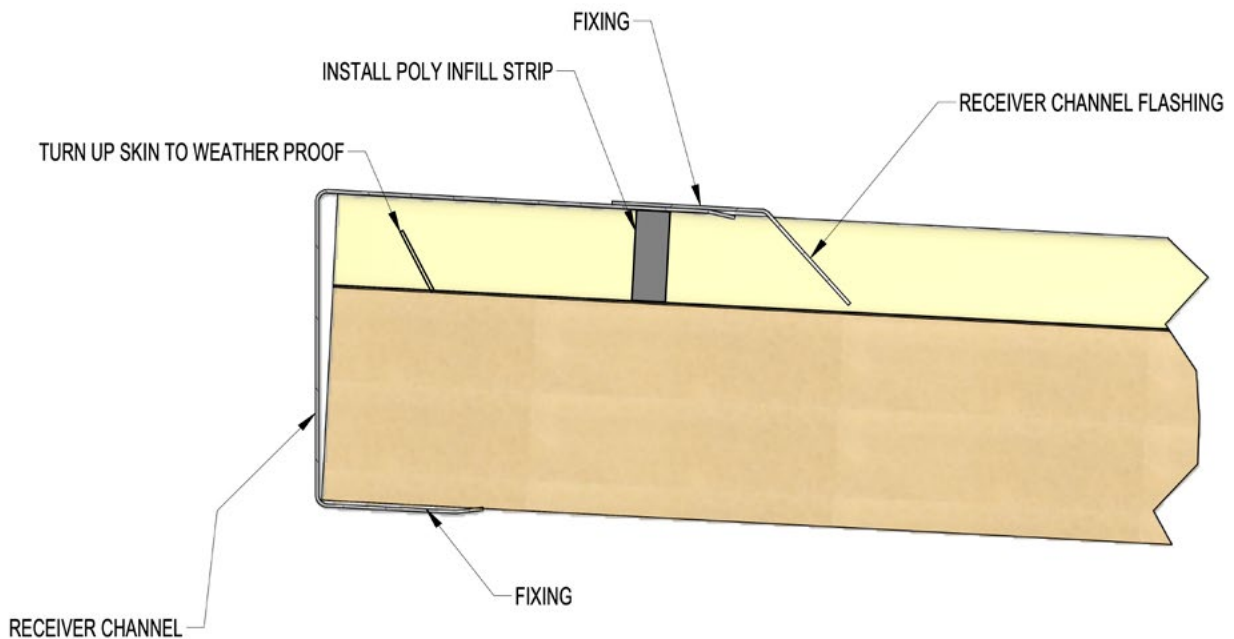
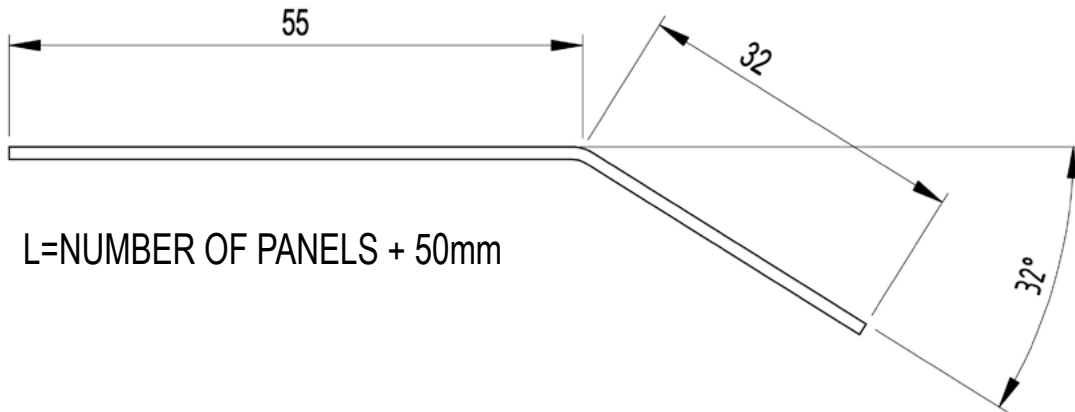
DESCRIPTION <b>DeltaOrb - RECEIVER CHANNEL</b>		DESIGNED BY <b>DP</b>	VERSION DATE <b>07/03/2023</b>
DELTA PANELS RESERVES THE RIGHT AT ANY TIME TO SUPPLY GOODS WITH MINOR MODIFICATIONS FROM ITS DRAWINGS AND FROM ITS SPECIFICATIONS AS IT SEES FIT.			
DRAWING NO. <b>DPC5045</b>	FOLDING TOLERANCE: ± 2.0 U.N.O	REV: <b>B</b>	SHEET <b>1/1</b>
	LENGTH TOLERANCE: ± 15.0-0.0		

# DeltaOrb Scribe Flashing

**MATERIAL: 0.55MM G300**

**NOTE:**

STANDARD ANGLES WILL BE MADE AND CHARGED FOR, UNLESS OTHERWISE STATED



## Receiver Channel Flashing Assembly Detail

DESCRIPTION <b>DeltaOrb - CRIBE FLASHING</b>		DESIGNED BY <b>DP</b>	VERSION DATE <b>07/03/2023</b>
DELTA PANELS RESERVES THE RIGHT AT ANY TIME TO SUPPLY GOODS WITH MINOR MODIFICATIONS FROM ITS DRAWINGS AND FROM ITS SPECIFICATIONS AS IT SEES FIT.			
DRAWING NO. <b>DPC5345</b>	FOLDING TOLERANCE: ± 2.0 U.N.O	REV: <b>B</b>	SHEET <b>1/1</b>
	LENGTH TOLERANCE: ± 15.0-0.0		



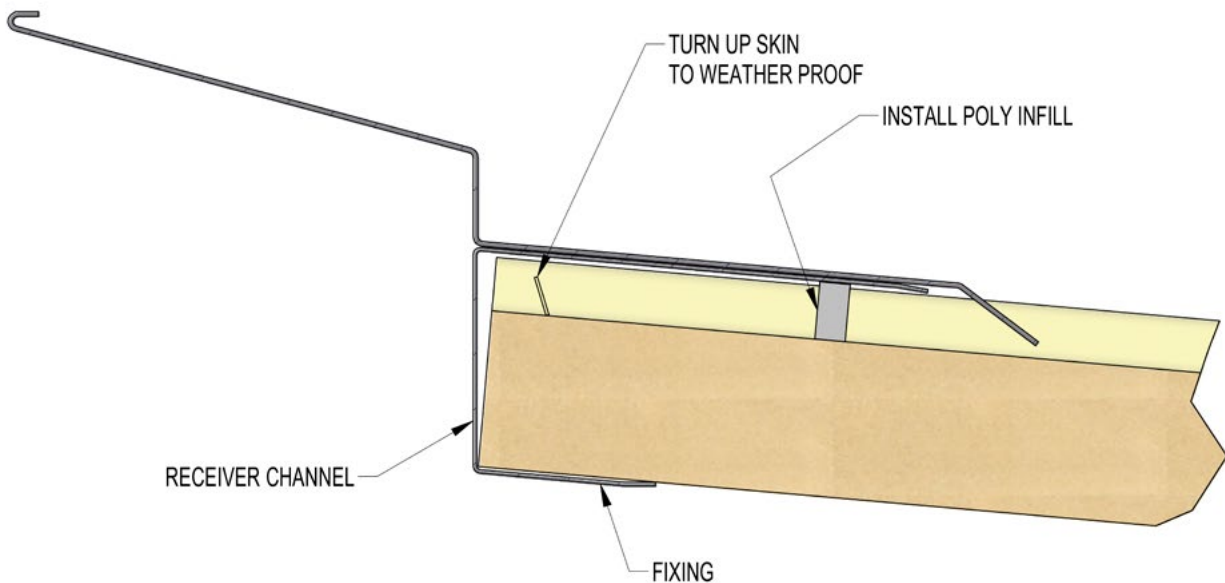
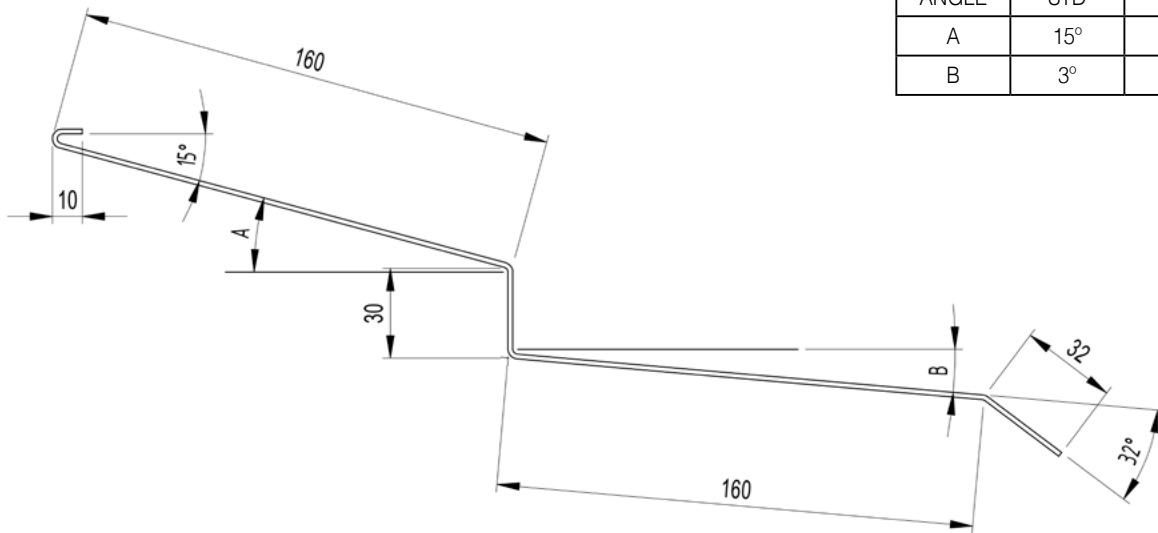
# DeltaOrb Apron Flashing

**MATERIAL: 0.55MM G300**

**NOTE:**

STANDARD ANGLES WILL BE MADE AND CHARGED FOR, UNLESS OTHERWISE STATED

ROOF PITCH FOR THIS ORDER		
ANGLE	STD	REQD
A	15°	.....°
B	3°	.....°



### Apron Flashing Assembly Detail

DESCRIPTION <b>DeltaOrb - APRON FLASHING</b>		DESIGNED BY <b>DP</b>	VERSION DATE <b>05/06/2019</b>
DELTA PANELS RESERVES THE RIGHT AT ANY TIME TO SUPPLY GOODS WITH MINOR MODIFICATIONS FROM ITS DRAWINGS AND FROM ITS SPECIFICATIONS AS IT SEES FIT.			
DRAWING NO. <b>DPC5070</b>	FOLDING TOLERANCE: ± 2.0 U.N.O	REV: <b>A</b>	SHEET <b>1/1</b>
	LENGTH TOLERANCE: ± 15.0-0.0		

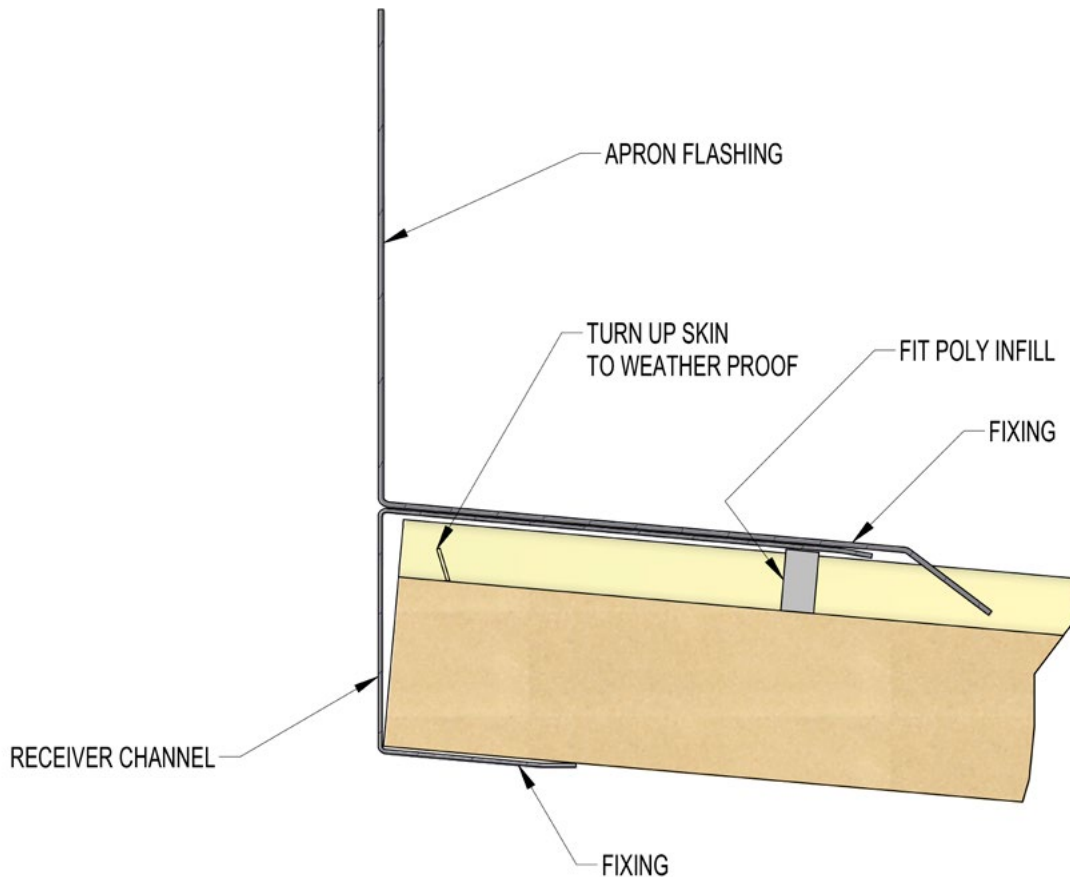
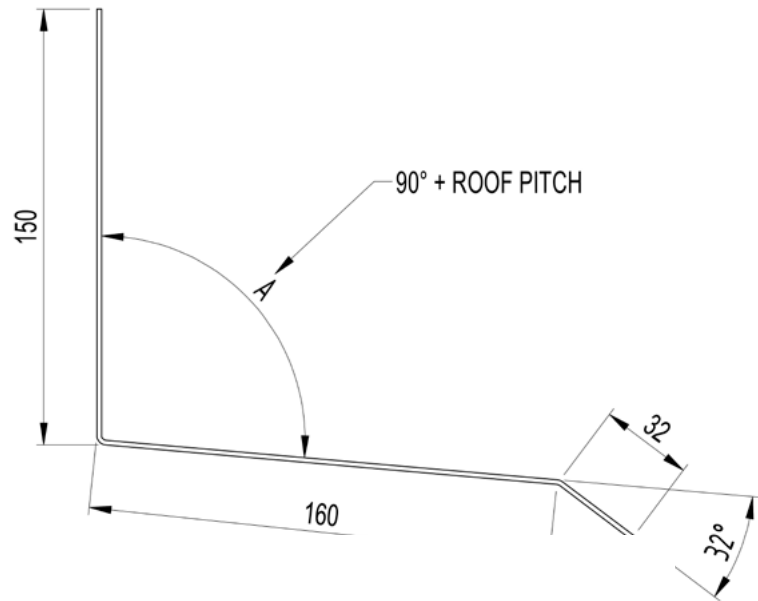
# DeltaOrb Apron Flashing-B

**MATERIAL: 0.55MM G300**

**NOTE:**

STANDARD ANGLES WILL BE MADE AND CHARGED FOR, UNLESS OTHERWISE STATED

ROOF PITCH FOR THIS ORDER		
ANGLE	STD	REQD
A	90°	.....°



**Apron Flashing-B Assembly Detail**

DESCRIPTION <b>DeltaOrb - APRON FLASHING-B</b>		DESIGNED BY <b>DP</b>	VERSION DATE <b>05/06/2019</b>
DELTA PANELS RESERVES THE RIGHT AT ANY TIME TO SUPPLY GOODS WITH MINOR MODIFICATIONS FROM ITS DRAWINGS AND FROM ITS SPECIFICATIONS AS IT SEES FIT.			
DRAWING NO. <b>DPC5077</b>	FOLDING TOLERANCE: ± 2.0 U.N.O	REV: <b>A</b>	SHEET <b>1/1</b>
	LENGTH TOLERANCE: ± 15.0-0.0		

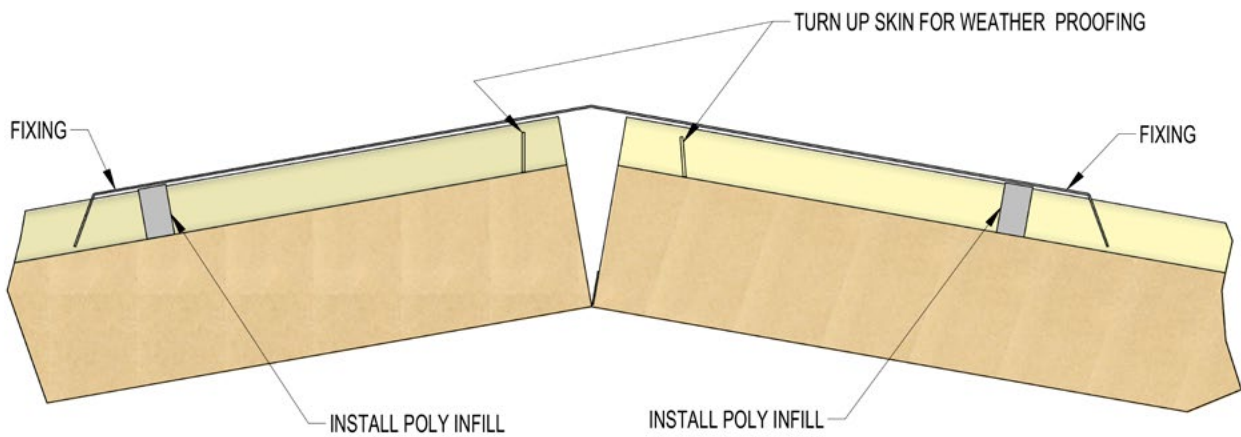
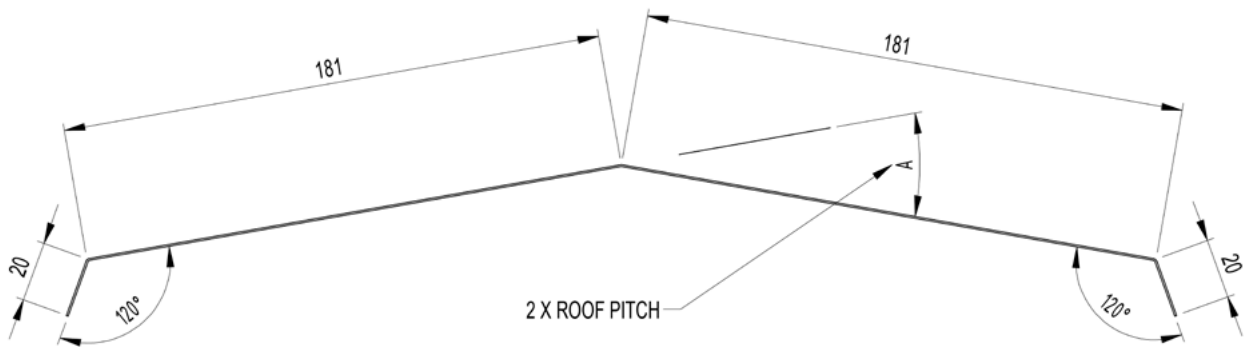
# DeltaOrb Ridge Cap

**MATERIAL: 0.55MM G300**

**NOTE:**

STANDARD ANGLES WILL BE MADE AND CHARGED FOR, UNLESS OTHERWISE STATED

ROOF PITCH FOR THIS ORDER		
ANGLE	STD	REQD
A	6°	.....°



## Ridge Cap Fixing Assembly Detail

DESCRIPTION <b>DeltaOrb - RIDGE CAP</b>		DESIGNED BY <b>DP</b>	VERSION DATE <b>05/06/2019</b>
DELTA PANELS RESERVES THE RIGHT AT ANY TIME TO SUPPLY GOODS WITH MINOR MODIFICATIONS FROM ITS DRAWINGS AND FROM ITS SPECIFICATIONS AS IT SEES FIT.			
DRAWING NO. <b>DPC5055</b>	FOLDING TOLERANCE: ± 2.0 U.N.O	REV: <b>A</b>	SHEET <b>1/1</b>
	LENGTH TOLERANCE: ± 15.0-0.0		

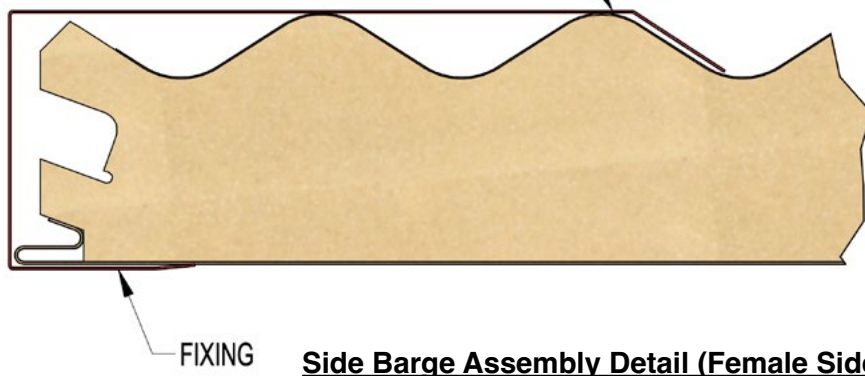
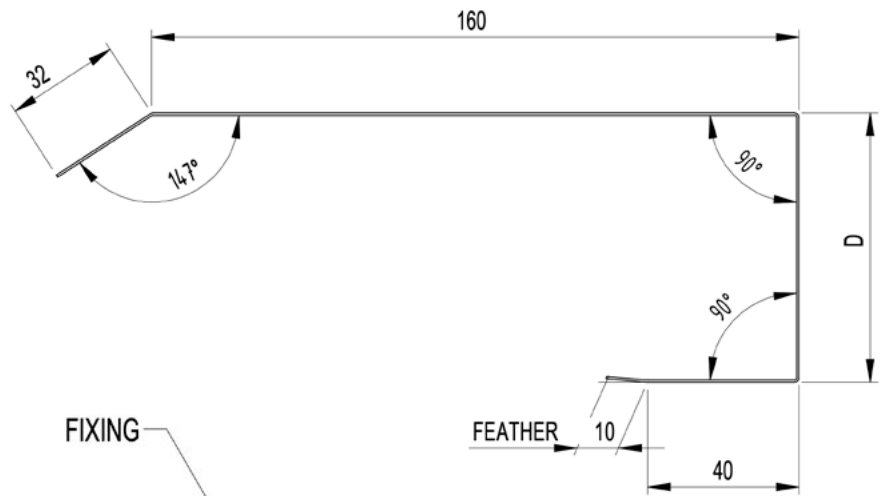
# DeltaOrb Side Barge Capping

**MATERIAL: 0.55MM G300**

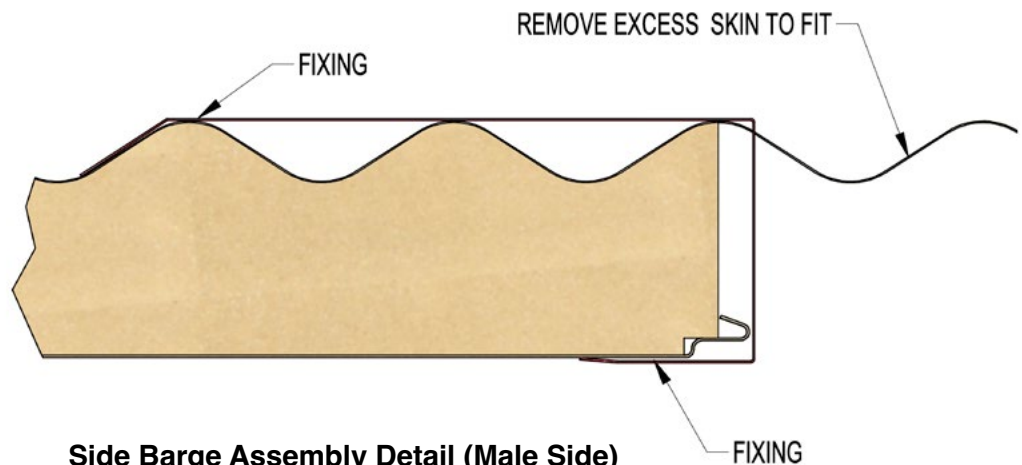
**NOTE:**

STANDARD ANGLES WILL BE MADE AND CHARGED FOR, UNLESS OTHERWISE STATED

THICKNESS	D
50mm	72
75mm	97
100mm	122
125mm	147
150mm	172
175mm	197
200mm	222



**Side Barge Assembly Detail (Female Side)**



**Side Barge Assembly Detail (Male Side)**

DESCRIPTION <b>DeltaOrb - SIDE BARGE CAPPING</b>		DESIGNED BY <b>DP</b>	VERSION DATE <b>07/03/2023</b>
DELTA PANELS RESERVES THE RIGHT AT ANY TIME TO SUPPLY GOODS WITH MINOR MODIFICATIONS FROM ITS DRAWINGS AND FROM ITS SPECIFICATIONS AS IT SEES FIT.			
DRAWING NO. <b>DPC5035</b>	FOLDING TOLERANCE: ± 2.0 U.N.O	REV: <b>B</b>	SHEET <b>1/1</b>
	LENGTH TOLERANCE: ± 15.0-0.0		

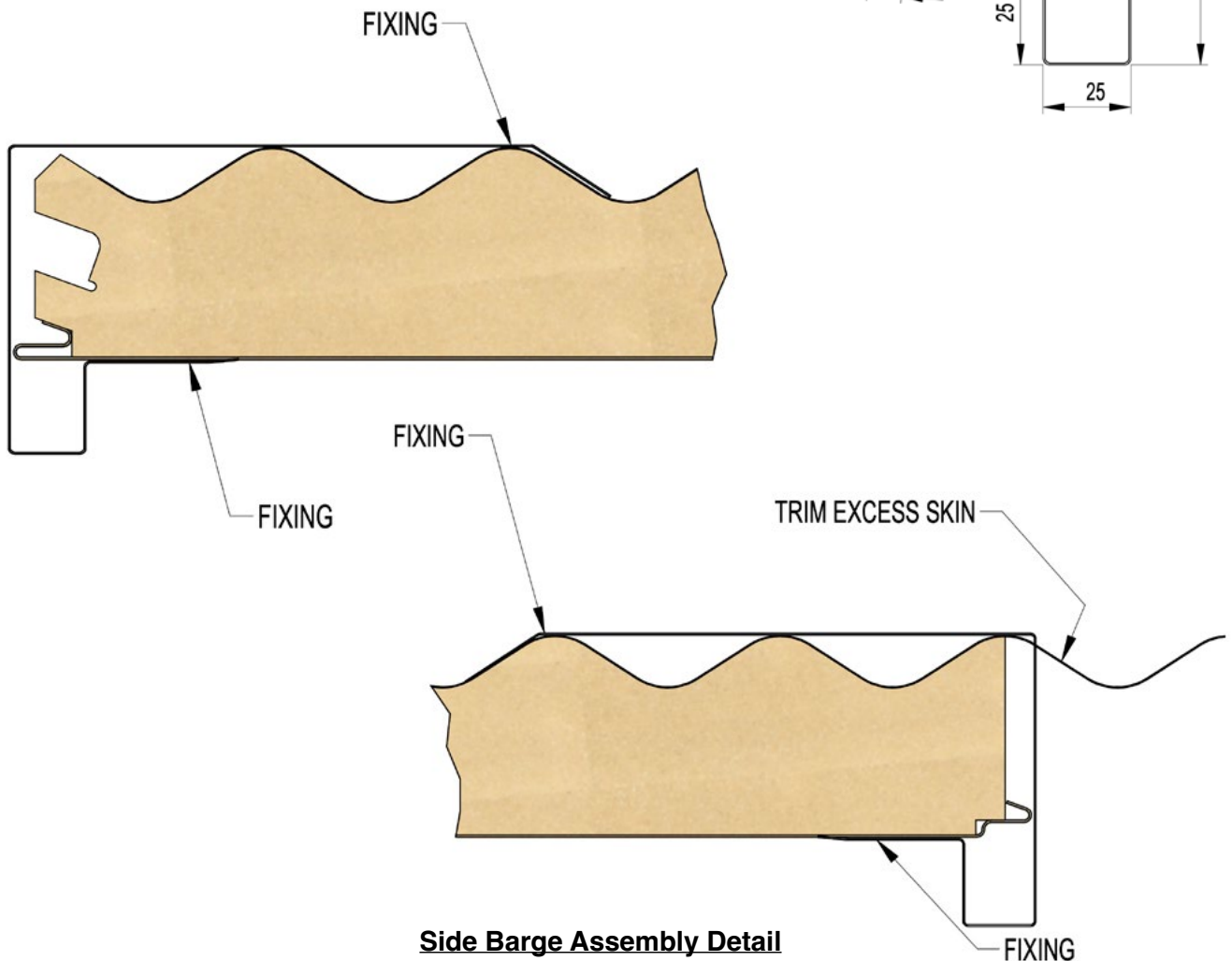
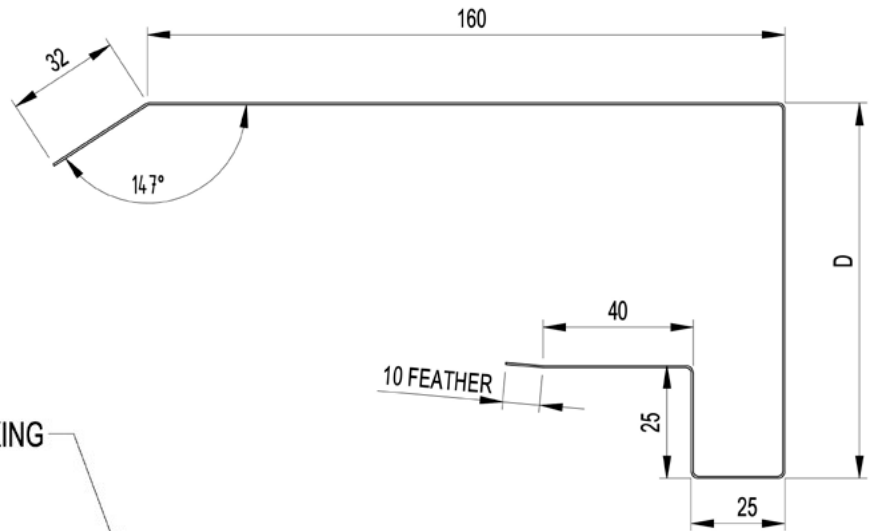
# DeltaOrb Side Barge with Drip Guard

**MATERIAL: 0.55MM G300**

**NOTE:**

STANDARD ANGLES WILL BE MADE AND CHARGED FOR, UNLESS OTHERWISE STATED

THICKNESS	D
75mm	122
100mm	147
125mm	172
150mm	197
175mm	222
200mm	247

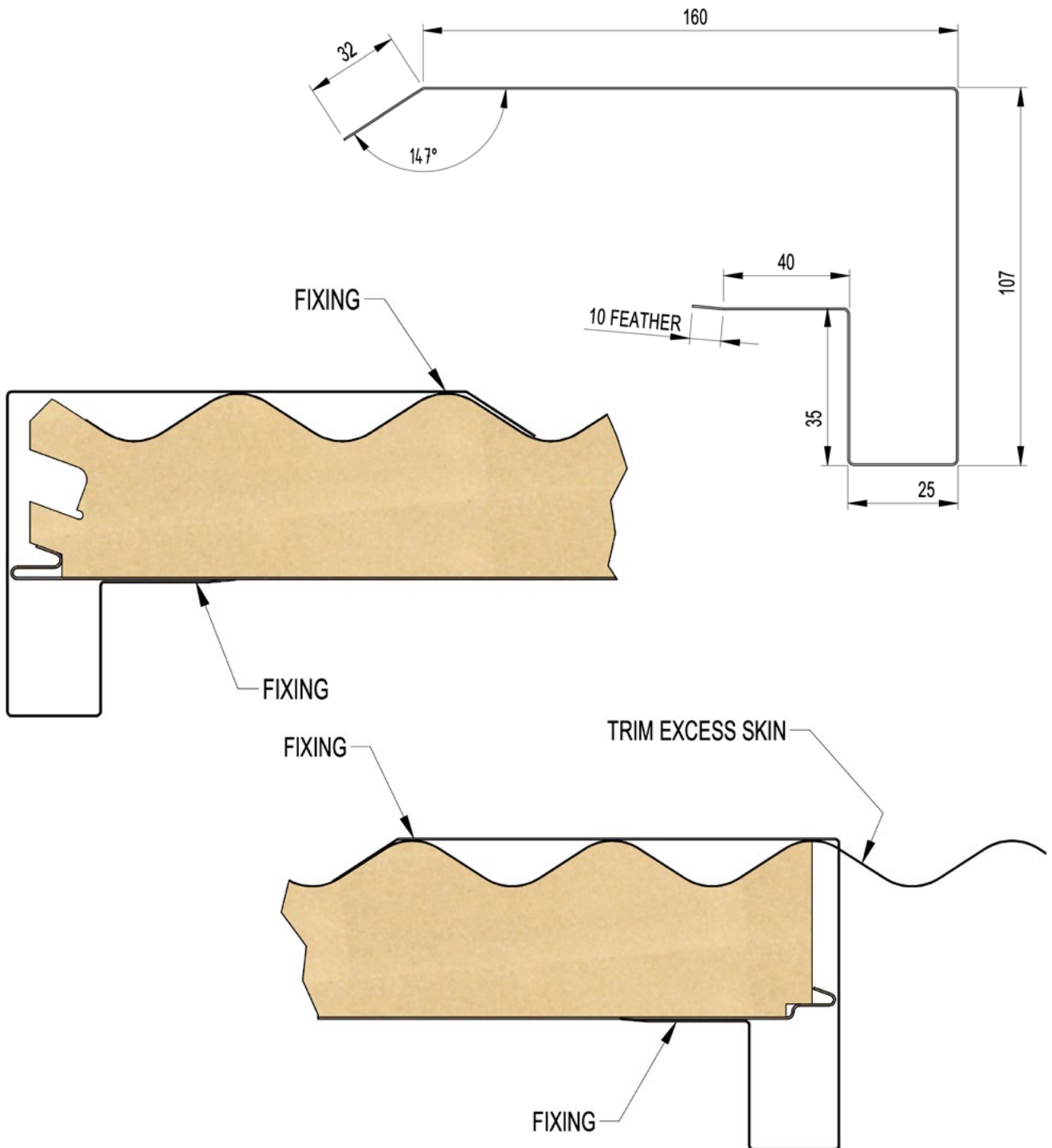


**Side Barge Assembly Detail**

DESCRIPTION <b>DeltaOrb - SIDE BARGE WITH DRIP GUARD</b>		DESIGNED BY <b>DP</b>	VERSION DATE <b>07/03/2023</b>
DELTA PANELS RESERVES THE RIGHT AT ANY TIME TO SUPPLY GOODS WITH MINOR MODIFICATIONS FROM ITS DRAWINGS AND FROM ITS SPECIFICATIONS AS IT SEES FIT.			
DRAWING NO. <b>DPC5317</b>	FOLDING TOLERANCE: ± 2.0 U.N.O	REV: <b>B</b>	SHEET <b>1/1</b>
	LENGTH TOLERANCE: ± 15.0-0.0		

# DeltaOrb Side Barge with Drip Guard - 50mm Only

MATERIAL: 0.55MM G300



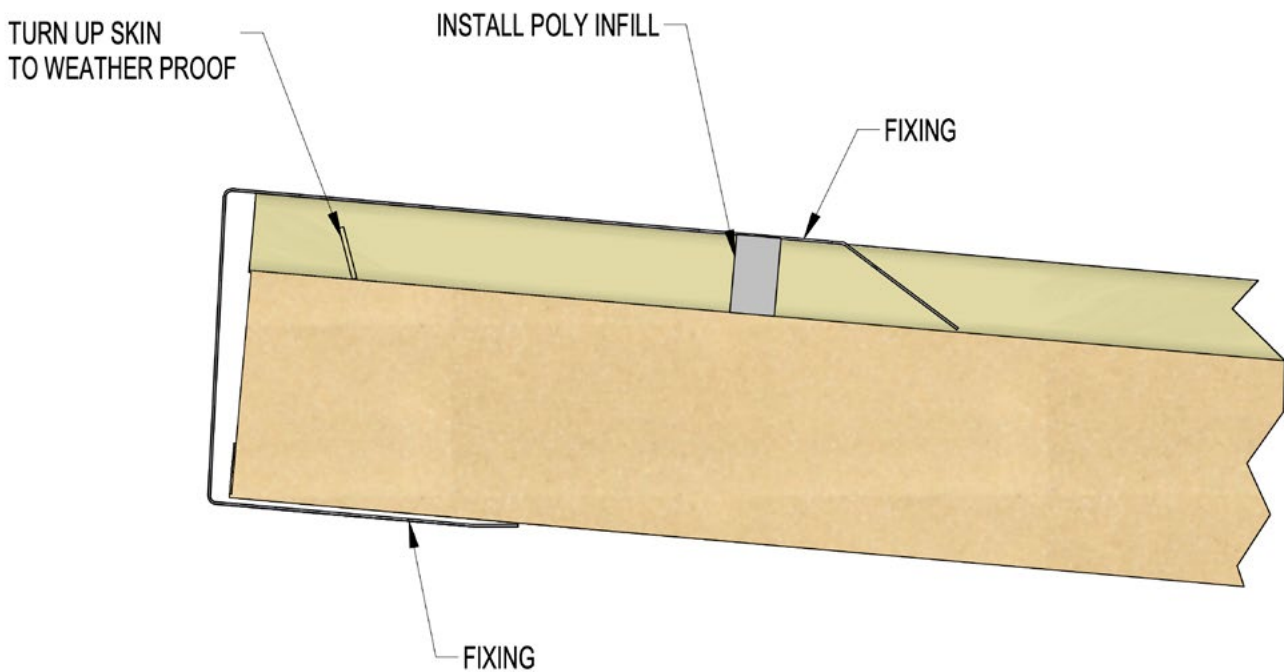
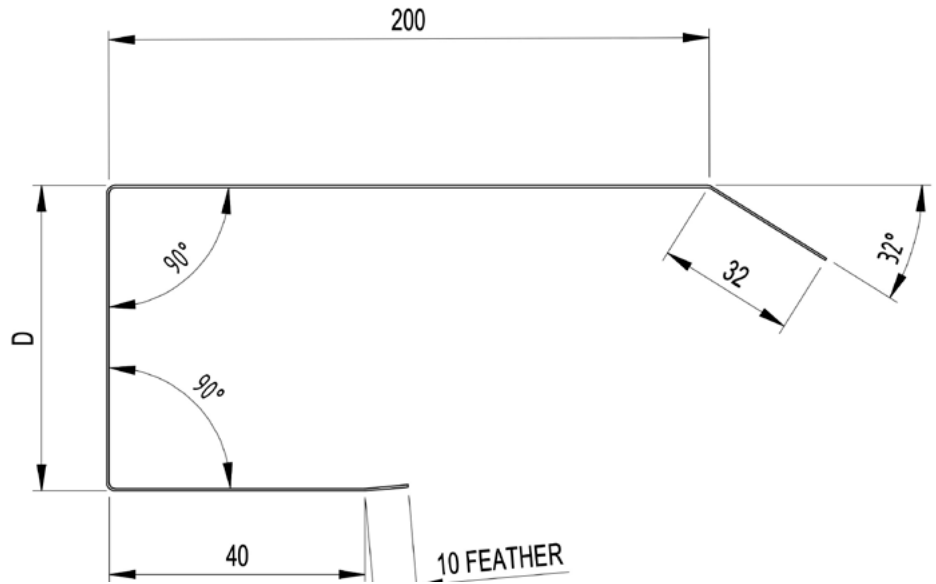
**Side Barge Assembly Detail**

DESCRIPTION <b>DeltaOrb - SIDE BARGE WITH DRIP GUARD - 50MM ONLY</b>		DESIGNED BY <b>DP</b>	VERSION DATE <b>07/03/2023</b>
DELTA PANELS RESERVES THE RIGHT AT ANY TIME TO SUPPLY GOODS WITH MINOR MODIFICATIONS FROM ITS DRAWINGS AND FROM ITS SPECIFICATIONS AS IT SEES FIT.			
DRAWING NO. <b>DPC5346</b>	FOLDING TOLERANCE: ± 2.0 U.N.O	REV: <b>B</b>	SHEET <b>1/1</b>
	LENGTH TOLERANCE: ± 15.0-0.0		

# DeltaOrb Rear Barge Capping

**MATERIAL: 0.55MM G300**

THICKNESS	D
50mm	72
75mm	97
100mm	122
125mm	147
150mm	172
175mm	197
200mm	222



**Rear Barge Capping Assembly Detail**

DESCRIPTION <b>DeltaOrb - REAR BARGE CAPPING</b>		DESIGNED BY <b>DP</b>	VERSION DATE <b>07/03/2023</b>
DELTA PANELS RESERVES THE RIGHT AT ANY TIME TO SUPPLY GOODS WITH MINOR MODIFICATIONS FROM ITS DRAWINGS AND FROM ITS SPECIFICATIONS AS IT SEES FIT.			
DRAWING NO. <b>DPC5347</b>	FOLDING TOLERANCE: ± 2.0 U.N.O	REV: <b>B</b>	SHEET <b>1/1</b>
	LENGTH TOLERANCE: ± 15.0-0.0		



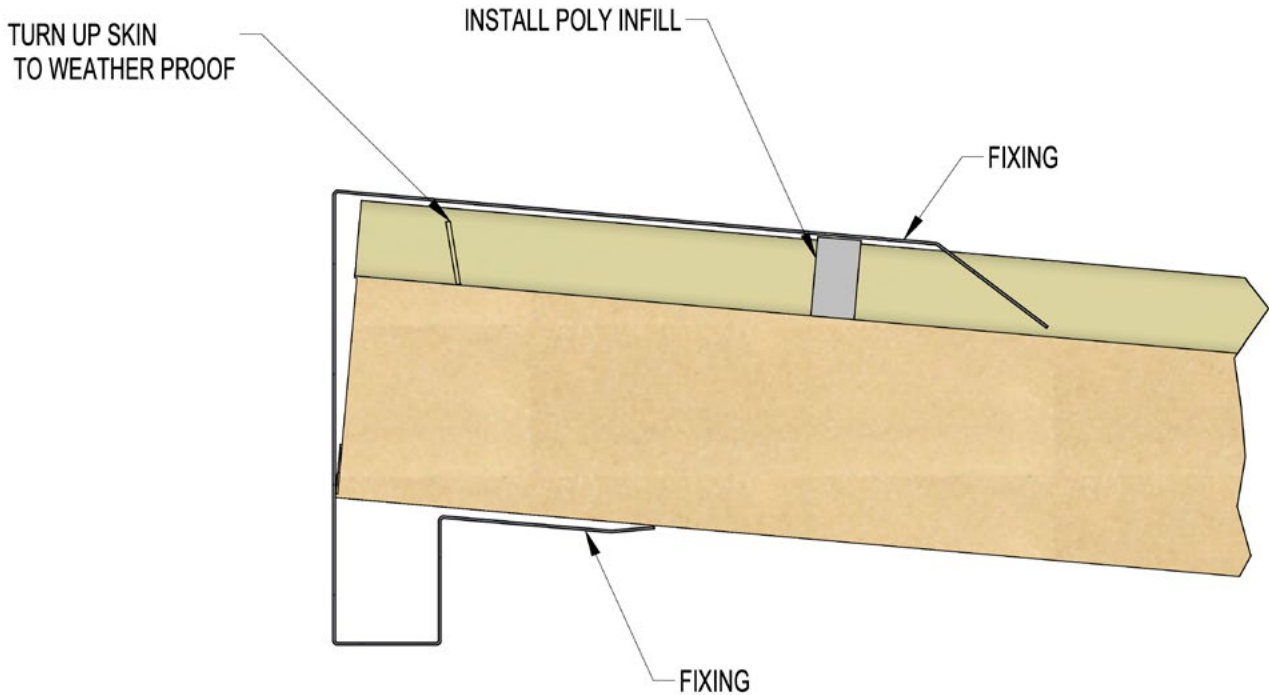
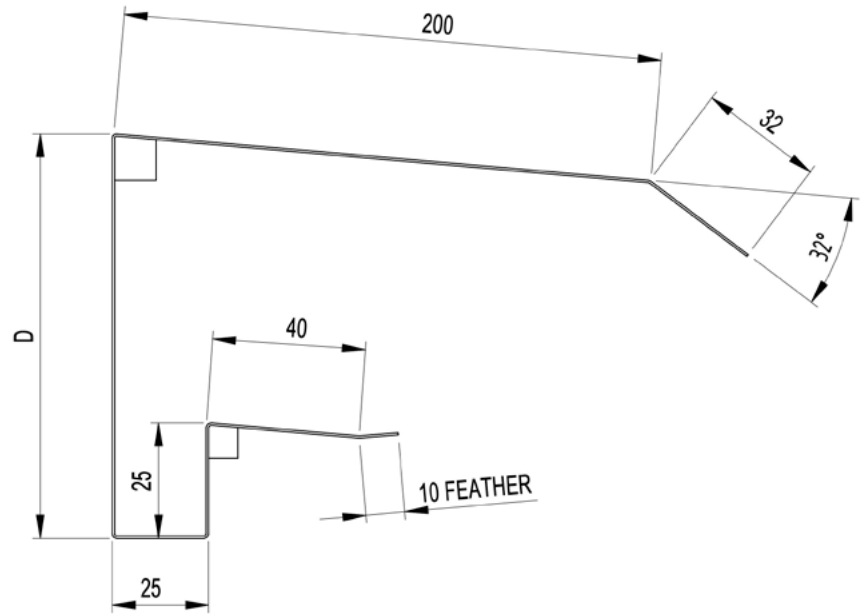
# DeltaOrb Rear Barge Capping with Drip Guard

**MATERIAL: 0.55MM G300**

**NOTE:**

STANDARD ANGLES WILL BE MADE AND CHARGED FOR, UNLESS OTHERWISE STATED

THICKNESS	D
75mm	122
100mm	147
125mm	172
150mm	197
175mm	222
200mm	247



**Rear Barge Capping Assembly Detail**

DESCRIPTION <b>DeltaOrb - REAR BARGE CAPPING WITH DRIP GUARD</b>		DESIGNED BY <b>DP</b>	VERSION DATE <b>07/03/2023</b>
DELTA PANELS RESERVES THE RIGHT AT ANY TIME TO SUPPLY GOODS WITH MINOR MODIFICATIONS FROM ITS DRAWINGS AND FROM ITS SPECIFICATIONS AS IT SEES FIT.			
DRAWING NO. <b>DPC5040</b>	FOLDING TOLERANCE: ± 2.0 U.N.O	REV: <b>B</b>	SHEET <b>1/1</b>
	LENGTH TOLERANCE: ± 15.0-0.0		

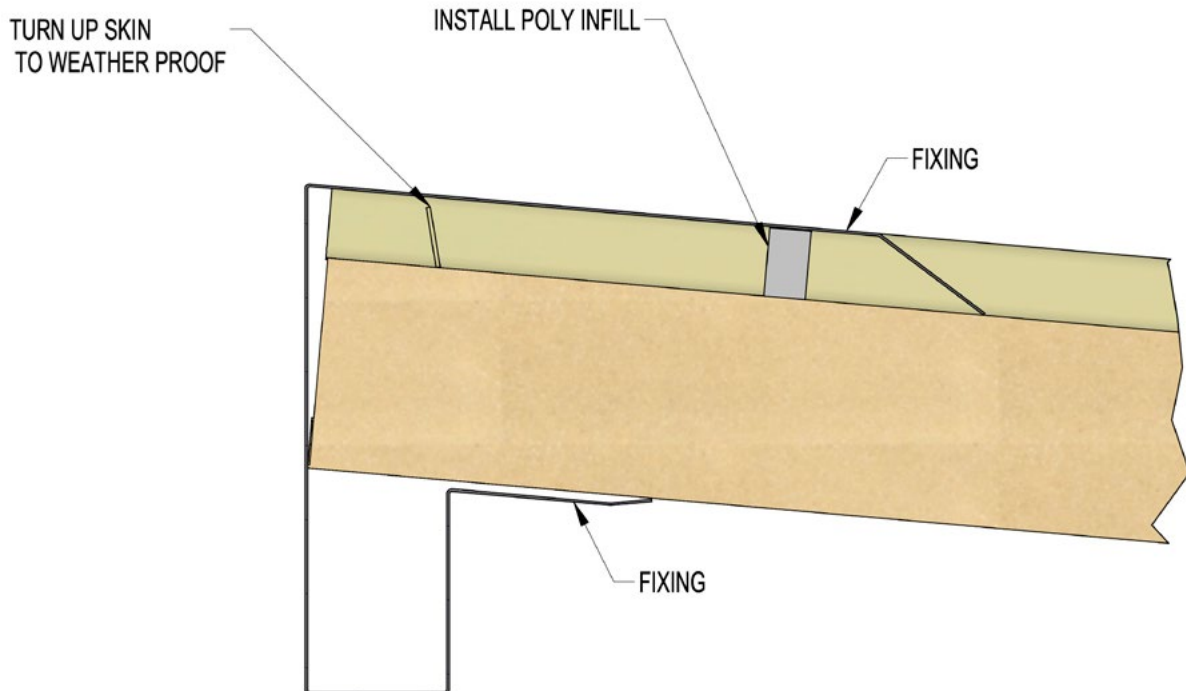
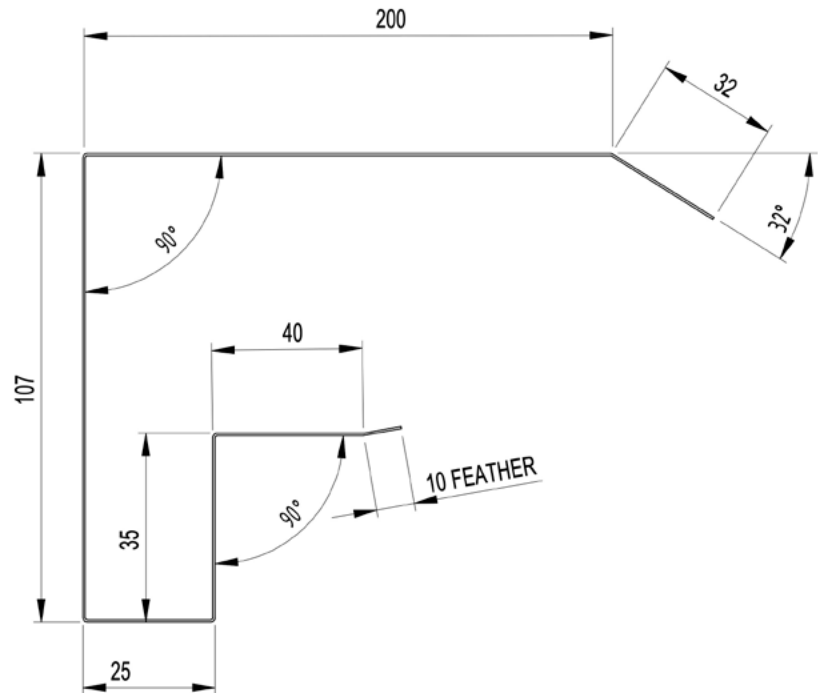


# DeltaOrb Rear Barge Capping with Dripguard - 50mm Only

**MATERIAL: 0.55MM G300**

**NOTE:**

STANDARD ANGLES WILL BE MADE AND CHARGED FOR, UNLESS OTHERWISE STATED



**Rear Barge Capping Assembly Detail**

DESCRIPTION <b>DeltaOrb - REAR BARGE CAPPING WITH DRIP GUARD - 50MM ONLY</b>		DESIGNED BY <b>DP</b>	VERSION DATE <b>07/03/2023</b>
DELTA PANELS RESERVES THE RIGHT AT ANY TIME TO SUPPLY GOODS WITH MINOR MODIFICATIONS FROM ITS DRAWINGS AND FROM ITS SPECIFICATIONS AS IT SEES FIT.			
DRAWING NO. <b>DPC5348</b>	FOLDING TOLERANCE: ± 2.0 U.N.O	REV: <b>B</b>	SHEET <b>1/1</b>
	LENGTH TOLERANCE: ± 15.0-0.0		

# DeltaOrb Fascia Flashing

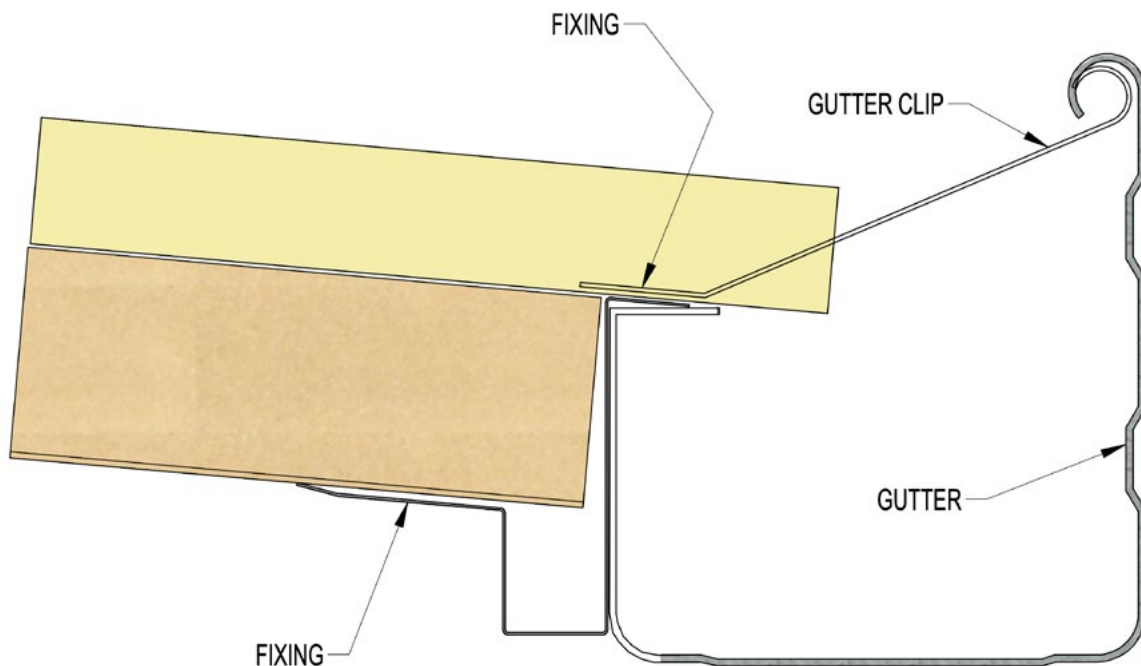
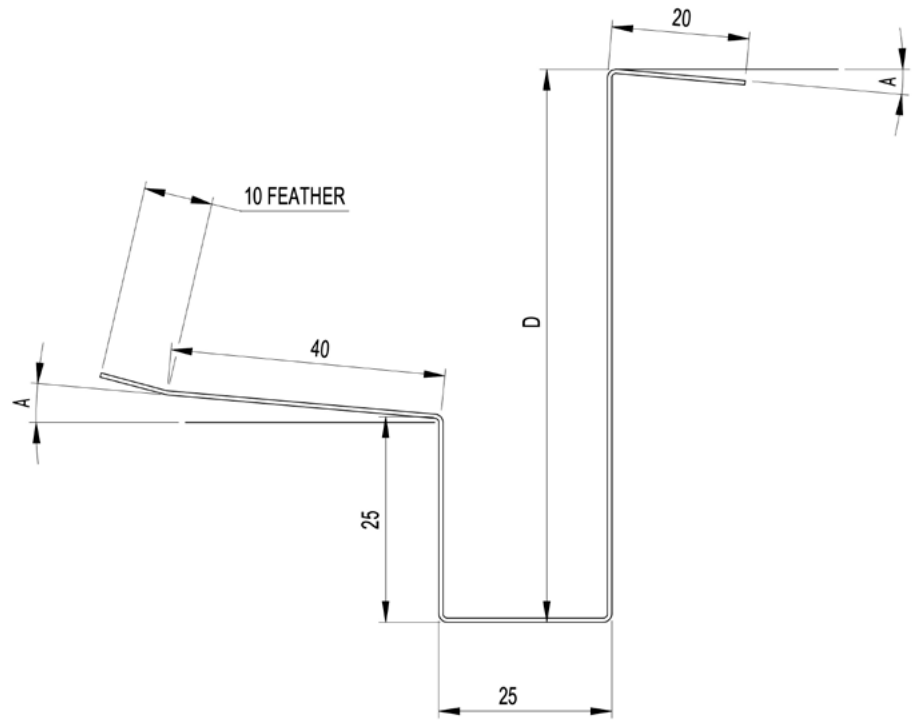
**MATERIAL: 0.55MM G300**

**NOTE:**

STANDARD ANGLES WILL BE MADE AND CHARGED FOR, UNLESS OTHERWISE STATED

THICKNESS	D
75mm	101
100mm	126
125mm	151
150mm	176
175mm	201
200mm	226

ROOF PITCH FOR THIS ORDER		
ANGLE	STD	REQD
A	3°	.....°



### Fascia Flashing Assembly Detail

DESCRIPTION <b>DeltaOrb - FASCIA FLASHING</b>		DESIGNED BY <b>DP</b>	VERSION DATE <b>07/03/2023</b>
DELTA PANELS RESERVES THE RIGHT AT ANY TIME TO SUPPLY GOODS WITH MINOR MODIFICATIONS FROM ITS DRAWINGS AND FROM ITS SPECIFICATIONS AS IT SEES FIT.			
DRAWING NO. <b>DPC5010</b>	FOLDING TOLERANCE: ± 2.0 U.N.O	REV: <b>B</b>	SHEET <b>1/1</b>
	LENGTH TOLERANCE: ± 15.0-0.0		

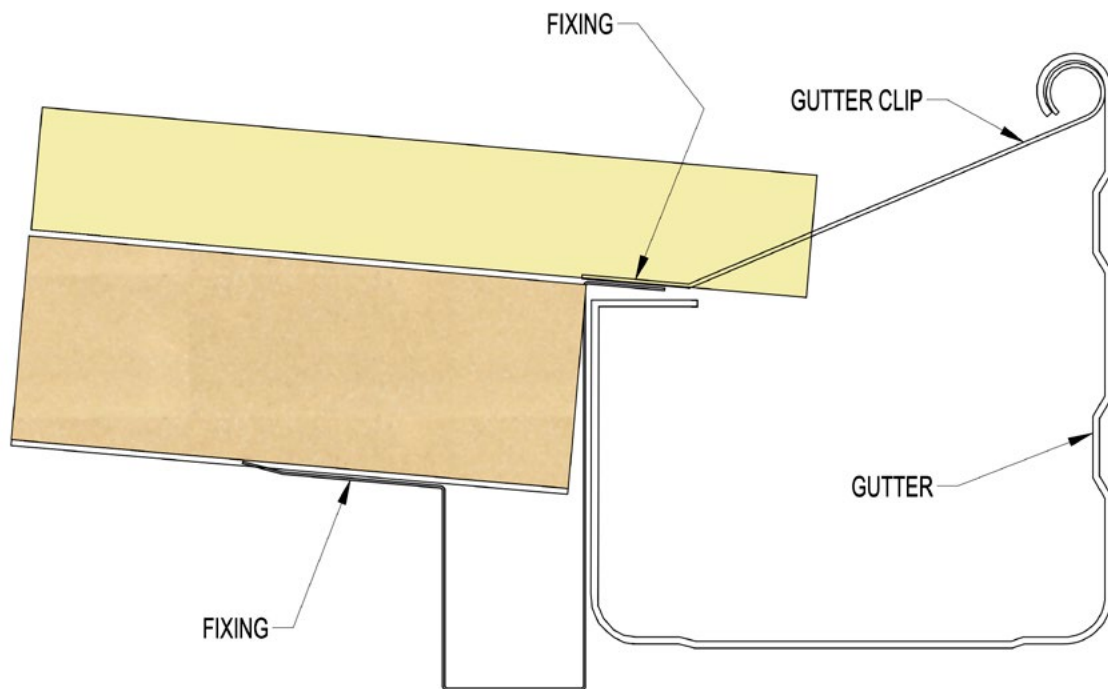
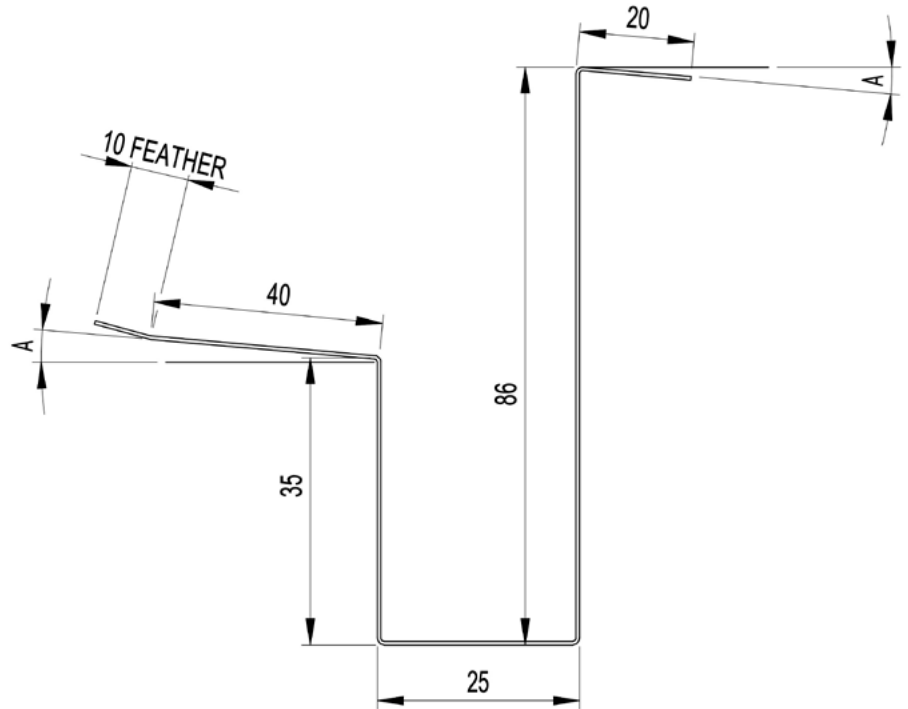
# DeltaOrb Fascia Flashing - 50mm Only

**MATERIAL: 0.55MM G300**

**NOTE:**

STANDARD ANGLES WILL BE MADE AND CHARGED FOR, UNLESS OTHERWISE STATED

ROOF PITCH FOR THIS ORDER		
ANGLE	STD	REQD
A	3°	.....°



**Fascia Flashing Assembly Detail**

DESCRIPTION <b>DeltaOrb - FASCIA FLASHING - 50MM ONLY</b>		DESIGNED BY <b>DP</b>	VERSION DATE <b>07/03/2023</b>
DELTA PANELS RESERVES THE RIGHT AT ANY TIME TO SUPPLY GOODS WITH MINOR MODIFICATIONS FROM ITS DRAWINGS AND FROM ITS SPECIFICATIONS AS IT SEES FIT.			
DRAWING NO. <b>DPC5349</b>	FOLDING TOLERANCE: ± 2.0 U.N.O	REV: <b>B</b>	SHEET <b>1/1</b>
	LENGTH TOLERANCE: ± 15.0-0.0		

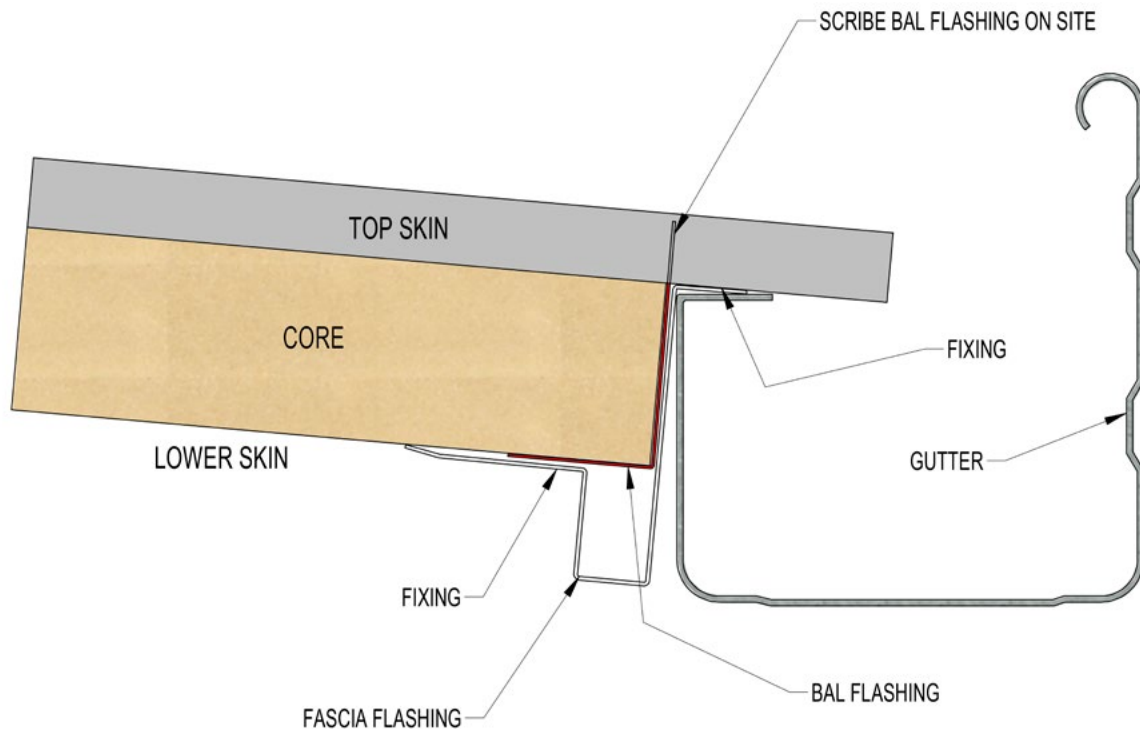
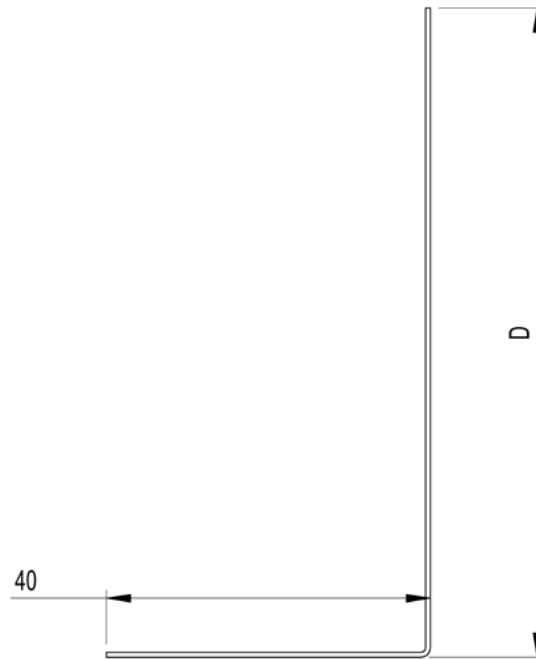
# DeltaOrb Fascia “BAL” Flashing

**MATERIAL: 0.55MM G300**

**NOTE:**

STANDARD ANGLES WILL BE MADE AND CHARGED FOR, UNLESS OTHERWISE STATED

THICKNESS	D
50mm	80
75mm	105
100mm	130
125mm	155
150mm	180
175mm	205
200mm	230



### Fascia Flashing Assembly Detail

DESCRIPTION <b>DeltaOrb - FASCIA “BAL” FLASHING</b>		DESIGNED BY <b>DP</b>	VERSION DATE <b>05/06/2019</b>
DELTA PANELS RESERVES THE RIGHT AT ANY TIME TO SUPPLY GOODS WITH MINOR MODIFICATIONS FROM ITS DRAWINGS AND FROM ITS SPECIFICATIONS AS IT SEES FIT.			
DRAWING NO. <b>DPC5011</b>	FOLDING TOLERANCE: ± 2.0 U.N.O	REV: <b>D</b>	SHEET <b>1/1</b>
	LENGTH TOLERANCE: ± 15.0-0.0		

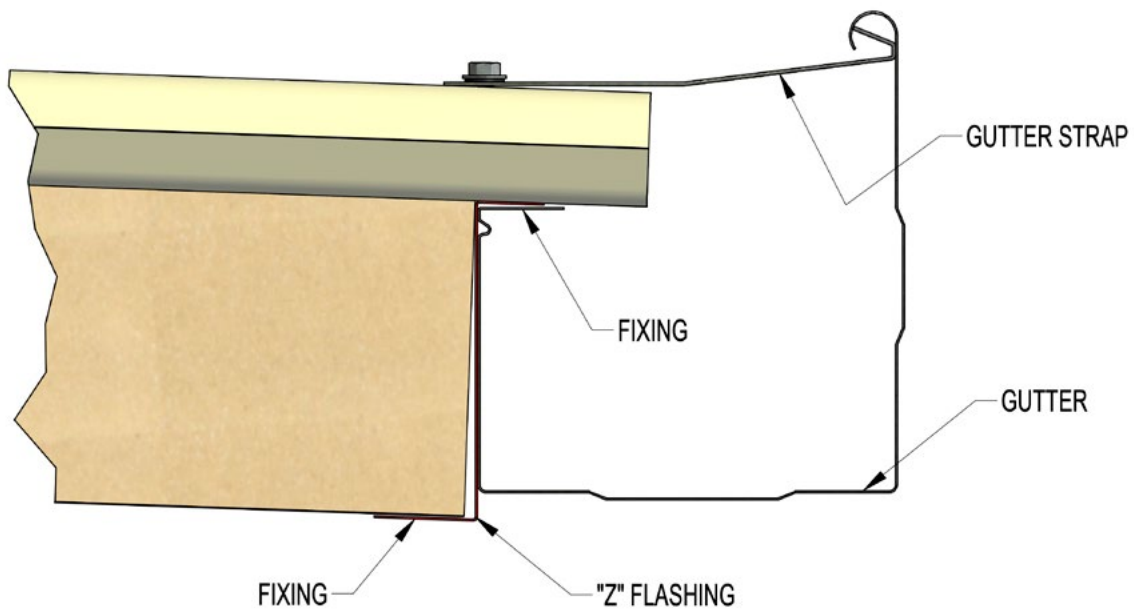
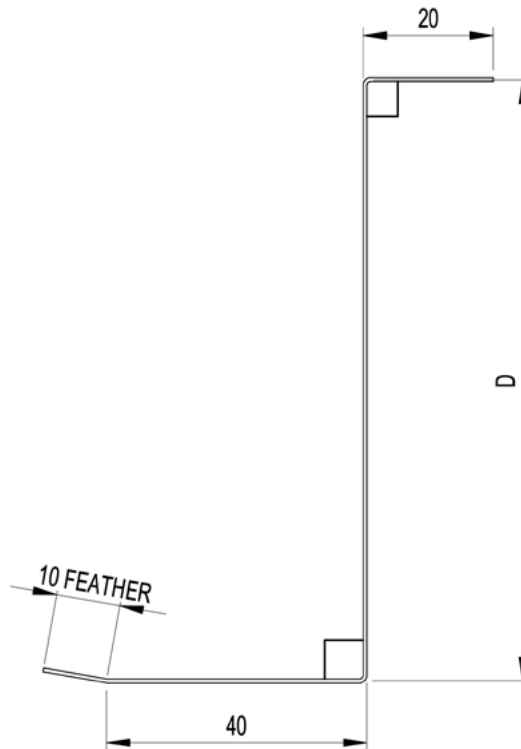
# DeltaOrb “Z” Flashing

**MATERIAL: 0.55MM G300**

**NOTE:**

STANDARD ANGLES WILL BE MADE AND CHARGED FOR, UNLESS OTHERWISE STATED

THICKNESS	D
50mm	51
75mm	76
100mm	101
125mm	126
150mm	151
175mm	176
200mm	201



### “Z” Flashing Assembly Detail

DESCRIPTION <b>DeltaOrb - “Z” FLASHING</b>		DESIGNED BY <b>DP</b>	VERSION DATE <b>10/03/2023</b>
DELTA PANELS RESERVES THE RIGHT AT ANY TIME TO SUPPLY GOODS WITH MINOR MODIFICATIONS FROM ITS DRAWINGS AND FROM ITS SPECIFICATIONS AS IT SEES FIT.			
DRAWING NO. <b>DPC5352</b>	FOLDING TOLERANCE: ± 2.0 U.N.O	REV: <b>A</b>	SHEET <b>1/1</b>
	LENGTH TOLERANCE: ± 15.0-0.0		

# DeltaCorroCorro Receiver Channel

**MATERIAL: 1.2MM BMT**

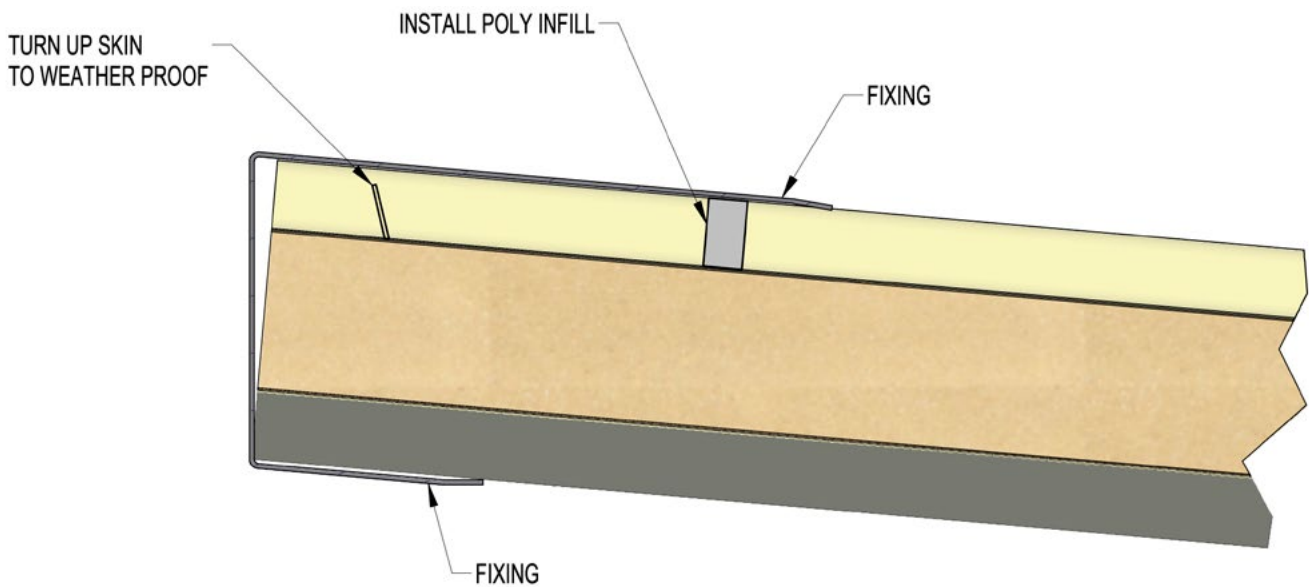
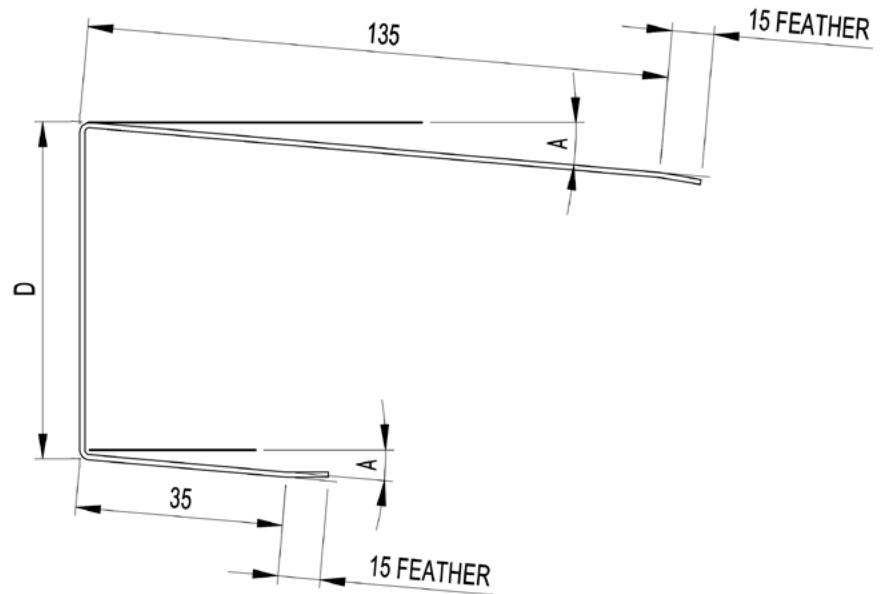
**COLOUR: SURFMIST / OFFWHITE ONLY**

**NOTE:**

STANDARD ANGLES WILL BE MADE AND CHARGED FOR, UNLESS OTHERWISE STATED

THICKNESS	D
75mm	80
100mm	105
125mm	130
150mm	155
175mm	180
200mm	205
225mm	230
250mm	255

ROOF PITCH FOR THIS ORDER		
ANGLE	STD	REQD
A	3°	.....°



## Receiver Channel Assembly Detail

DESCRIPTION <b>DeltaCorroCorro - RECEIVER CHANNEL</b>		DESIGNED BY <b>DP</b>	VERSION DATE <b>07/03/2023</b>
DELTA PANELS RESERVES THE RIGHT AT ANY TIME TO SUPPLY GOODS WITH MINOR MODIFICATIONS FROM ITS DRAWINGS AND FROM ITS SPECIFICATIONS AS IT SEES FIT.			
DRAWING NO. <b>DPC5205</b>	FOLDING TOLERANCE: ± 2.0 U.N.O	REV: <b>B</b>	SHEET <b>1/1</b>
	LENGTH TOLERANCE: ± 15.0-0.0		

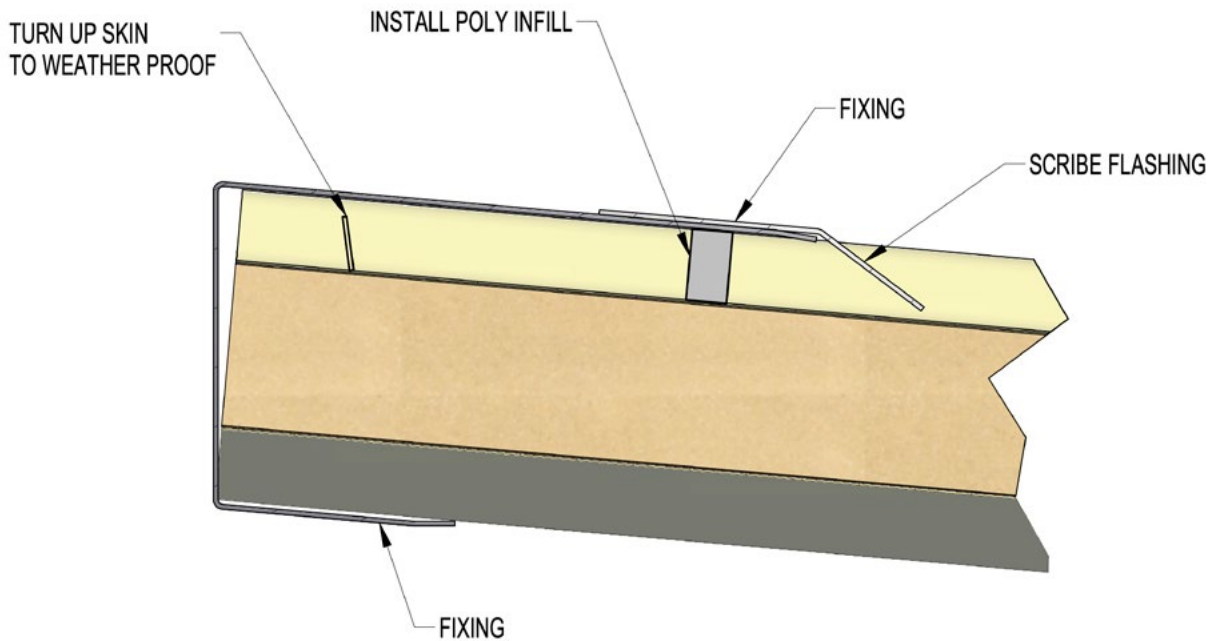
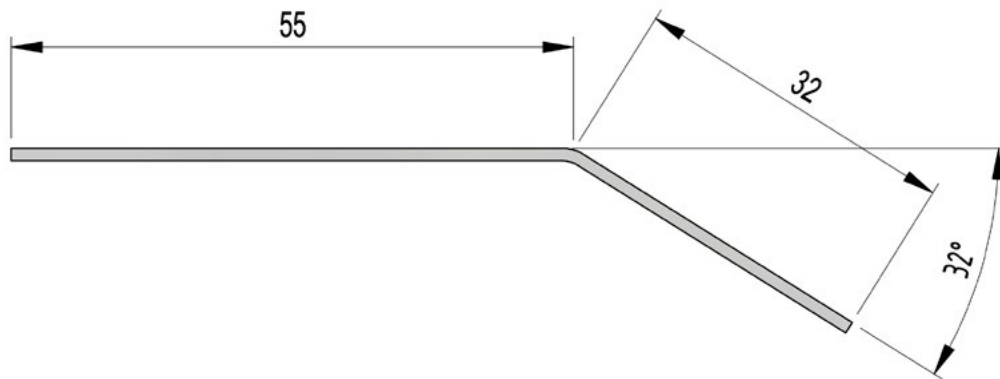
# DeltaCorroCorro Scribe Flashing

**MATERIAL: 0.55MM G300**

**NOTE:**

STANDARD ANGLES WILL BE MADE AND CHARGED FOR, UNLESS OTHERWISE STATED

L=NUMBER OF PANELS + 50mm



**Receiver Channel Flashing Assembly Detail**

DESCRIPTION <b>DeltaCorroCorro - SCRIBE FLASHING</b>		DESIGNED BY <b>DP</b>	VERSION DATE <b>07/03/2023</b>
DELTA PANELS RESERVES THE RIGHT AT ANY TIME TO SUPPLY GOODS WITH MINOR MODIFICATIONS FROM ITS DRAWINGS AND FROM ITS SPECIFICATIONS AS IT SEES FIT.			
DRAWING NO. <b>DPC5345 - B</b>	FOLDING TOLERANCE: ± 2.0 U.N.O	REV: <b>B</b>	SHEET <b>1/1</b>
	LENGTH TOLERANCE: ± 15.0-0.0		



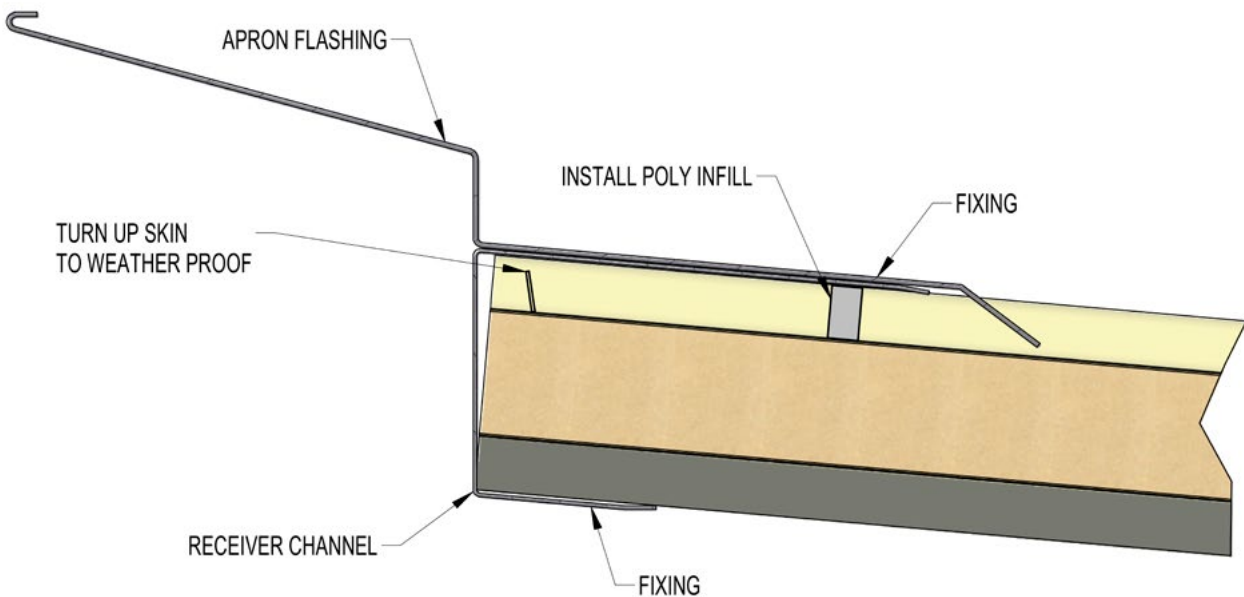
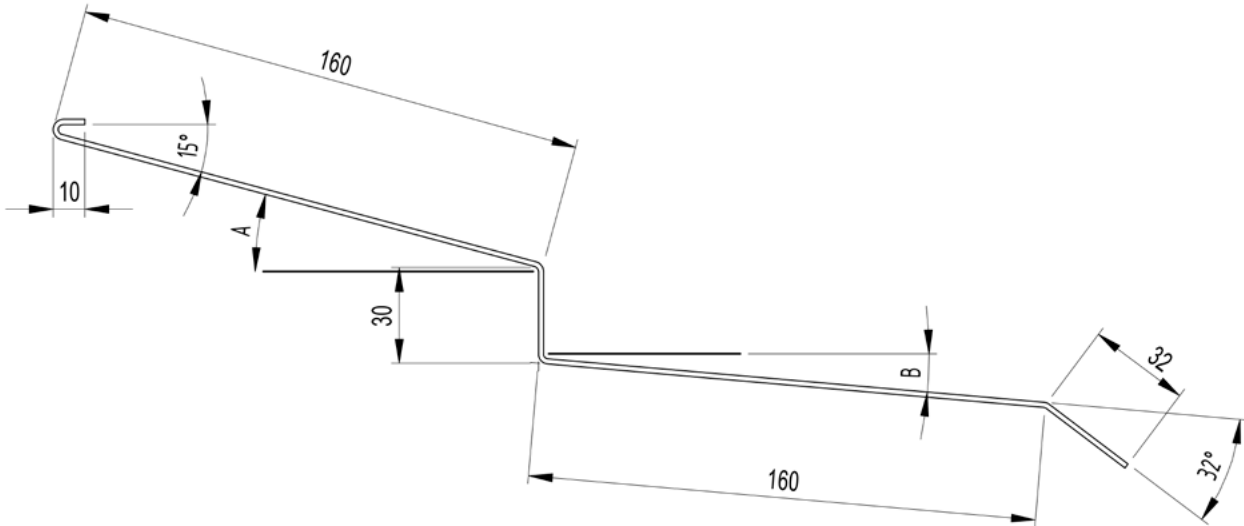
# DeltaCorroCorro Apron Flashing

**MATERIAL: 0.55MM G300**

**NOTE:**

STANDARD ANGLES WILL BE MADE AND CHARGED FOR, UNLESS OTHERWISE STATED

ROOF PITCH FOR THIS ORDER		
ANGLE	STD	REQD
A	15°	.....°
B	3°	.....°



### Apron Flashing Assembly Detail

DESCRIPTION <b>DeltaCorroCorro - APRON FLASHING</b>		DESIGNED BY <b>DP</b>	VERSION DATE <b>05/06/2019</b>
DELTA PANELS RESERVES THE RIGHT AT ANY TIME TO SUPPLY GOODS WITH MINOR MODIFICATIONS FROM ITS DRAWINGS AND FROM ITS SPECIFICATIONS AS IT SEES FIT.			
DRAWING NO. <b>DPC5225</b>	FOLDING TOLERANCE: ± 2.0 U.N.O	REV: <b>A</b>	SHEET <b>1/1</b>
	LENGTH TOLERANCE: ± 15.0-0.0		



# DeltaCorroCorro Apron Flashing - B

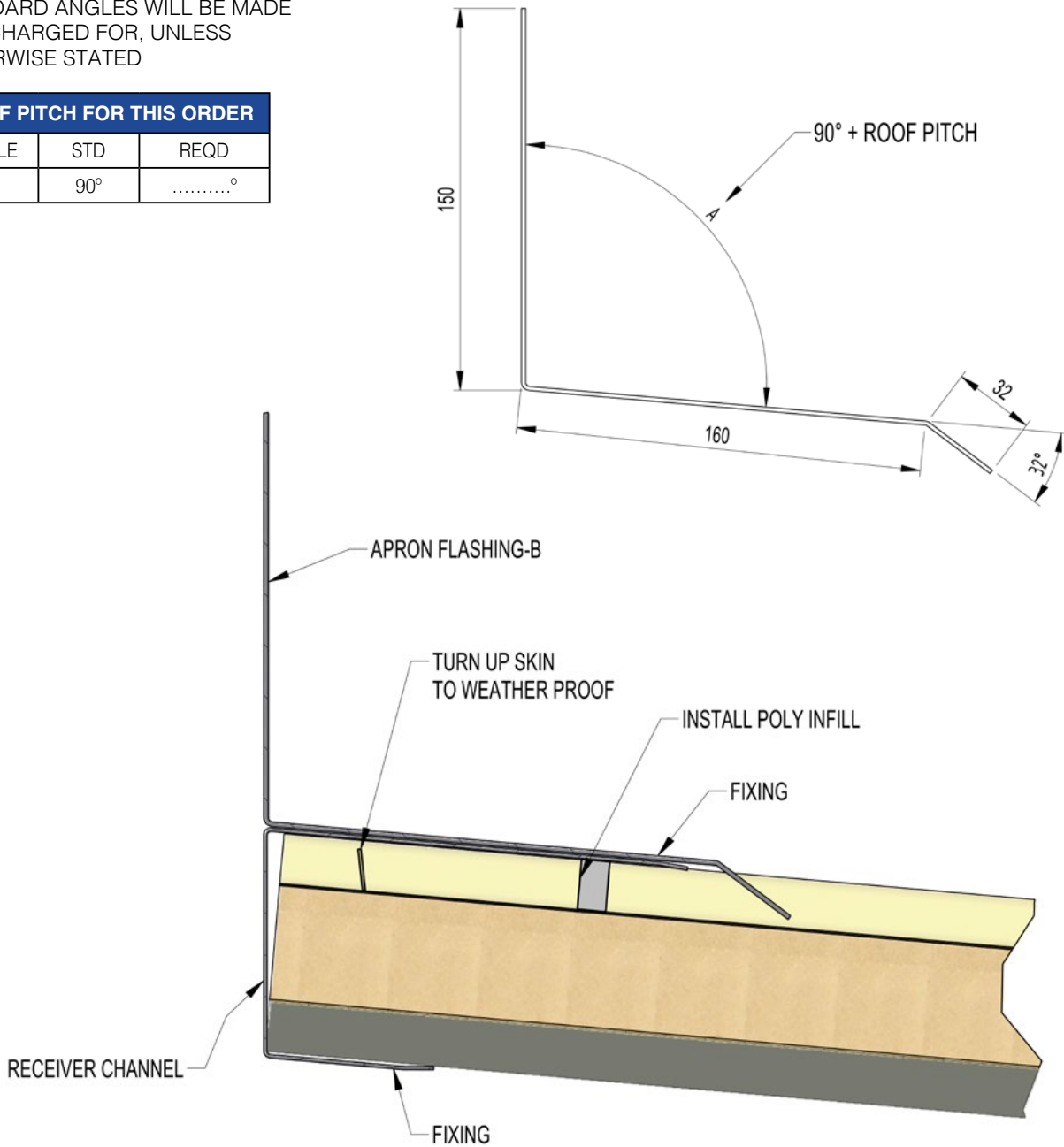
**MATERIAL: 0.55MM G300**

**NOTE:**

STANDARD ANGLES WILL BE MADE AND CHARGED FOR, UNLESS OTHERWISE STATED

**L=NUMBER OF PANELS + 50mm**

ROOF PITCH FOR THIS ORDER		
ANGLE	STD	REQD
A	90°	.....°



### Apron Flashing Assembly Detail

DESCRIPTION <b>DeltaCorroCorro - APRON FLASHING - B</b>		DESIGNED BY <b>DP</b>	VERSION DATE <b>05/06/2019</b>
DELTA PANELS RESERVES THE RIGHT AT ANY TIME TO SUPPLY GOODS WITH MINOR MODIFICATIONS FROM ITS DRAWINGS AND FROM ITS SPECIFICATIONS AS IT SEES FIT.			
DRAWING NO. <b>DPC5077 - B</b>	FOLDING TOLERANCE: ± 2.0 U.N.O	REV: <b>A</b>	SHEET <b>1/1</b>
	LENGTH TOLERANCE: ± 15.0-0.0		

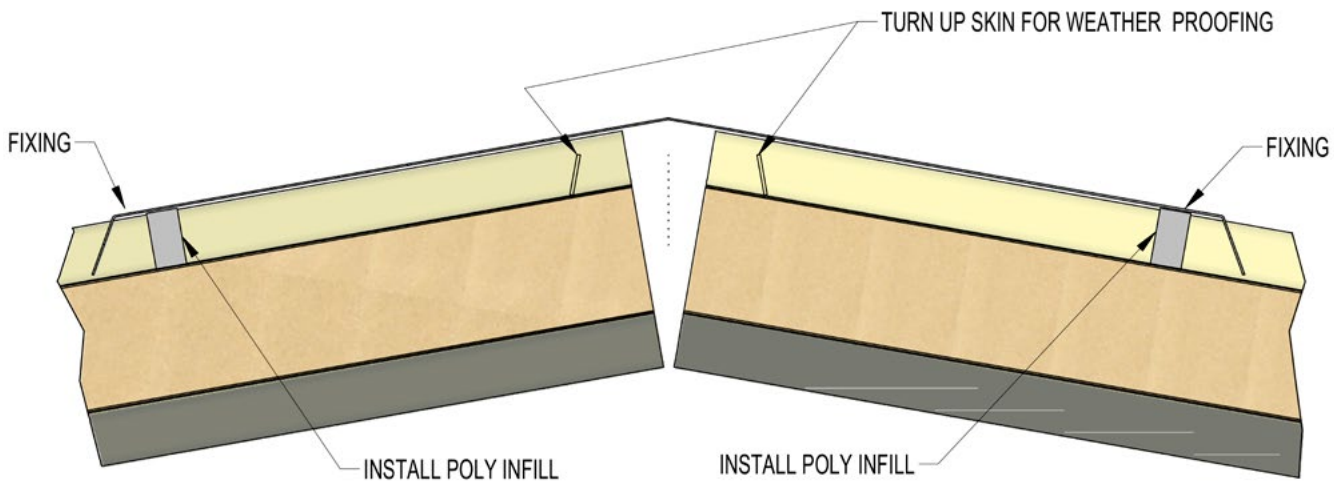
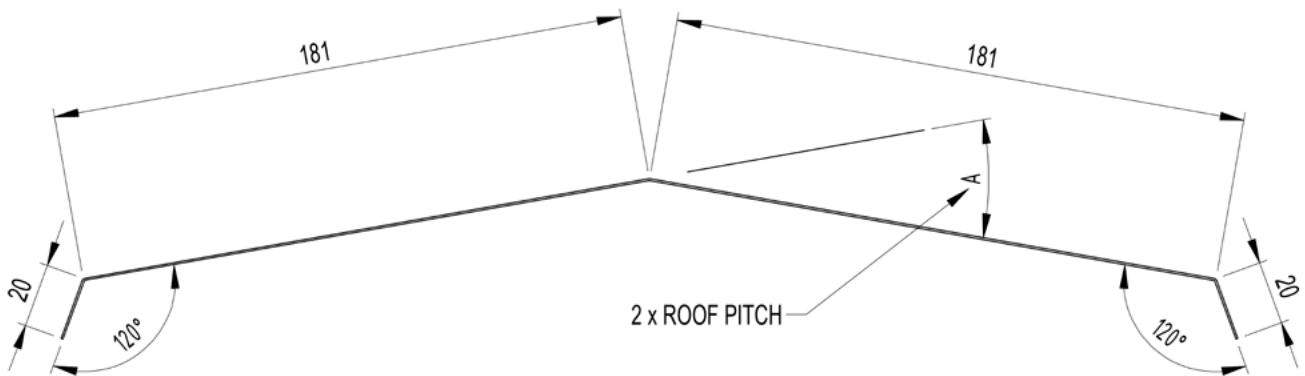
# DeltaCorroCorro Ridge Cap

**MATERIAL: 0.55MM G300**

**NOTE:**

STANDARD ANGLES WILL BE MADE AND CHARGED FOR, UNLESS OTHERWISE STATED

ROOF PITCH FOR THIS ORDER		
ANGLE	STD	REQD
A	6°	.....°



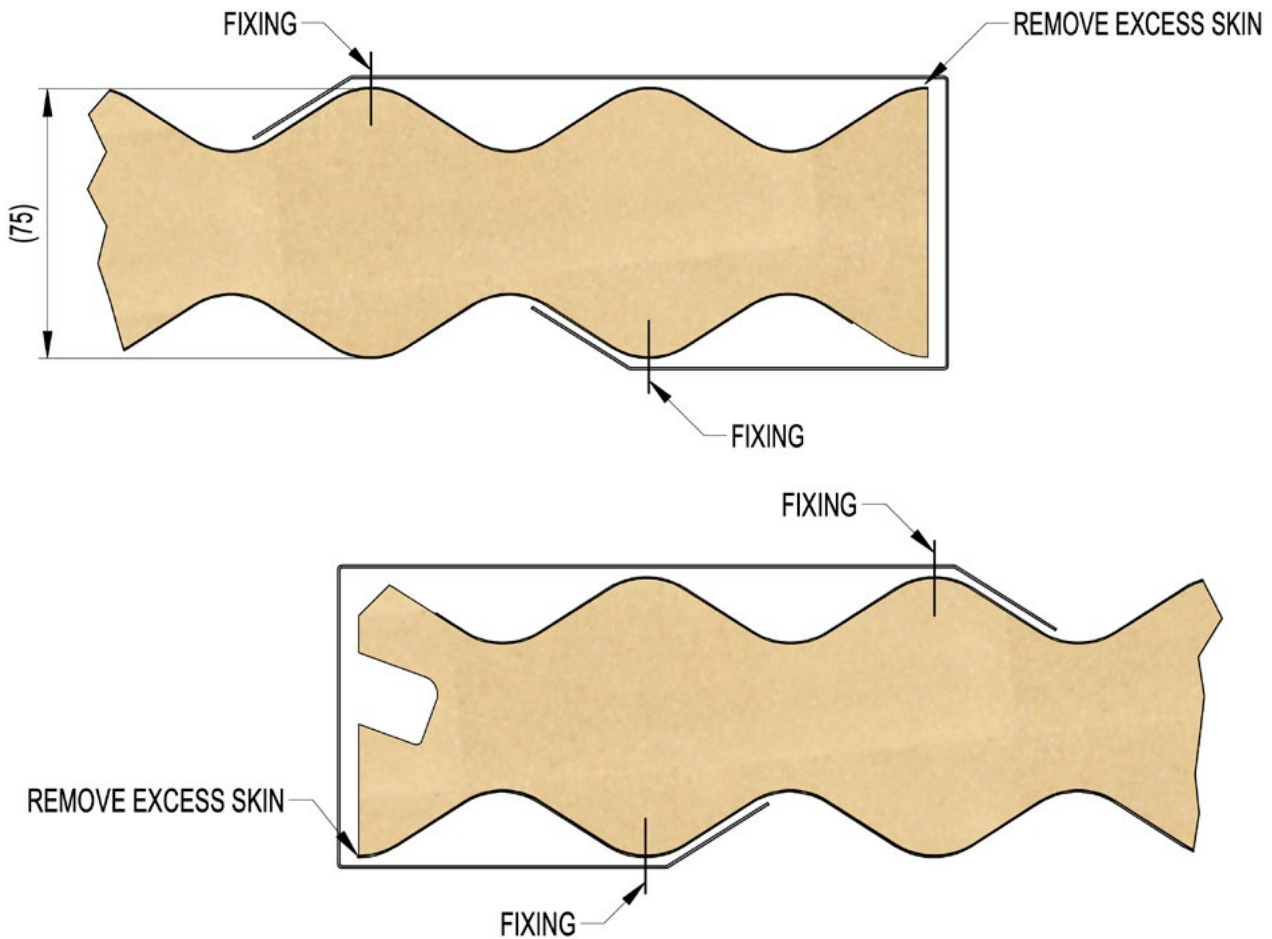
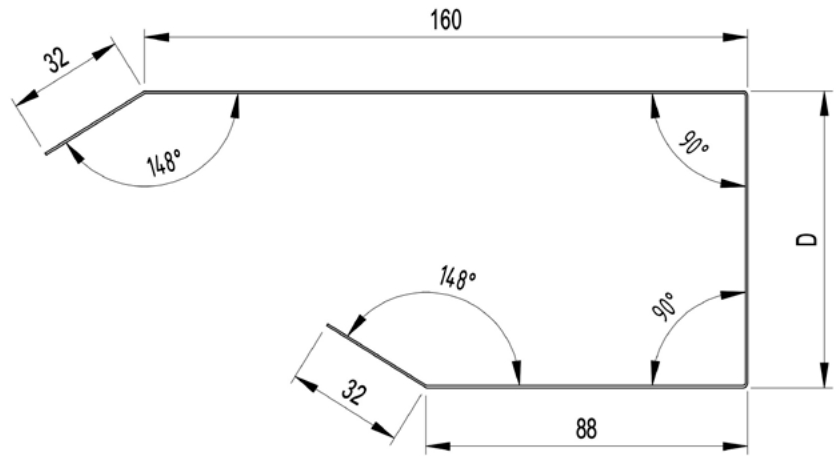
### Ridge Cap Fixing Assembly Detail

DESCRIPTION <b>DeltaCorroCorro - RIDGE CAP</b>		DESIGNED BY <b>DP</b>	VERSION DATE <b>05/06/2019</b>
DELTA PANELS RESERVES THE RIGHT AT ANY TIME TO SUPPLY GOODS WITH MINOR MODIFICATIONS FROM ITS DRAWINGS AND FROM ITS SPECIFICATIONS AS IT SEES FIT.			
DRAWING NO. <b>DPC5230</b>	FOLDING TOLERANCE: ± 2.0 U.N.O	REV: <b>A</b>	SHEET <b>1/1</b>
	LENGTH TOLERANCE: ± 15.0-0.0		

# DeltaCorroCorro Side Barge Capping

**MATERIAL: 0.55MM G300**

THICKNESS	D
75mm	78
100mm	103
125mm	128
150mm	153
175mm	178
200mm	203
225mm	228
250mm	253



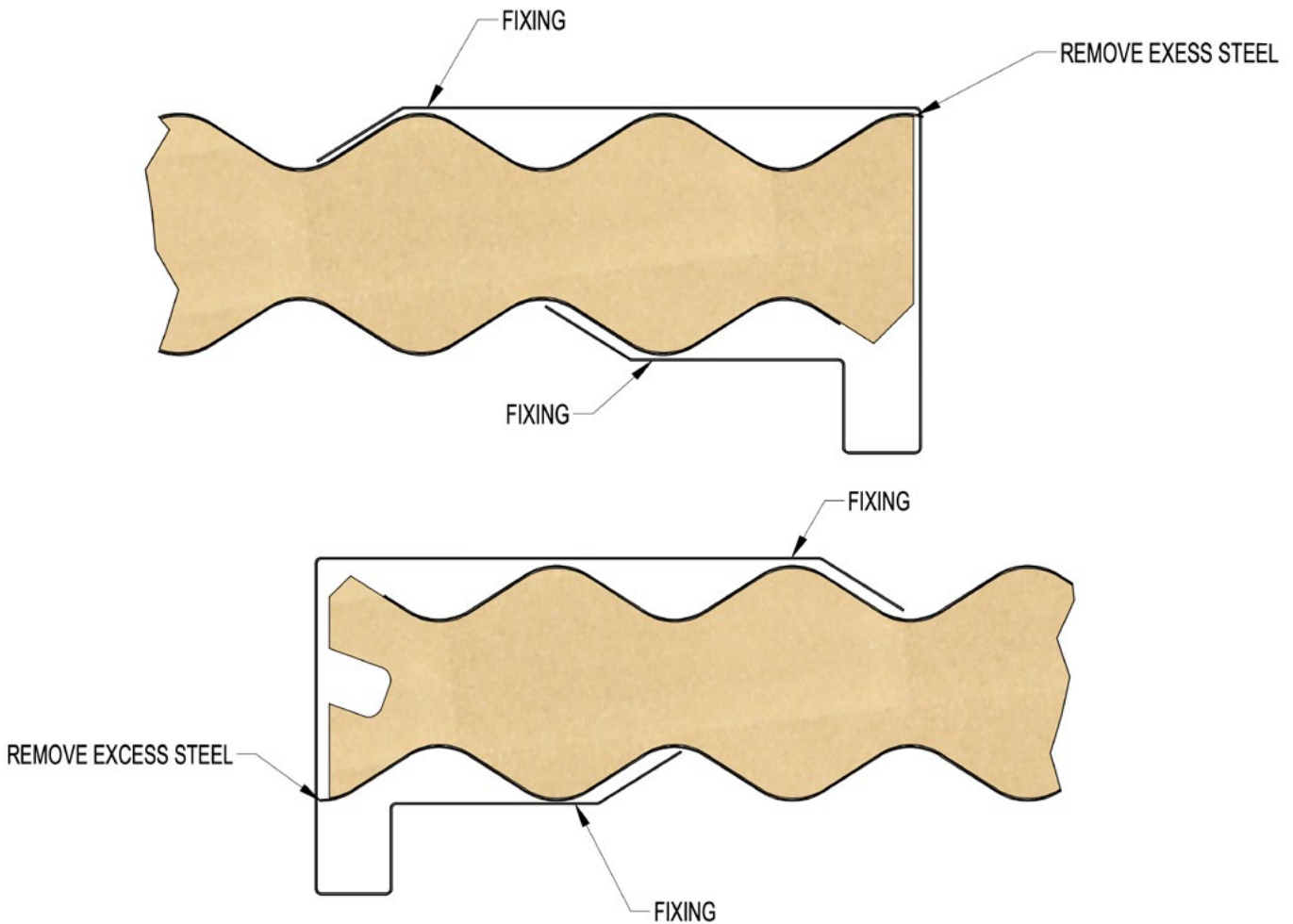
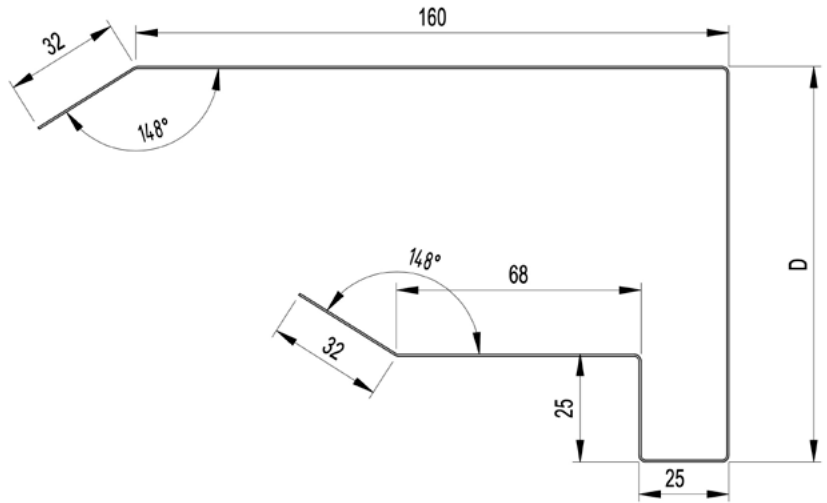
## Side Barge Capping Assembly Detail

DESCRIPTION <b>DeltaCorroCorro - SIDE BARGE CAPPING</b>		DESIGNED BY <b>DP</b>	VERSION DATE <b>07/03/2023</b>
DELTA PANELS RESERVES THE RIGHT AT ANY TIME TO SUPPLY GOODS WITH MINOR MODIFICATIONS FROM ITS DRAWINGS AND FROM ITS SPECIFICATIONS AS IT SEES FIT.			
DRAWING NO. <b>DPC5221</b>	FOLDING TOLERANCE: ± 2.0 U.N.O	REV: <b>B</b>	SHEET <b>1/1</b>
	LENGTH TOLERANCE: ± 15.0-0.0		

# DeltaCorroCorro Side Barge Capping with Drip Guard

**MATERIAL: 0.55MM G300**

THICKNESS	D
75mm	103
100mm	128
125mm	153
150mm	178
175mm	203
200mm	228
225mm	253
250mm	278



**Side Barge with Drip Guard Assembly Detail**

DESCRIPTION <b>DeltaCorroCorro - SIDE BARGE CAPPING WITH DRIP GUARD</b>		DESIGNED BY <b>DP</b>	VERSION DATE <b>07/03/2023</b>
DELTA PANELS RESERVES THE RIGHT AT ANY TIME TO SUPPLY GOODS WITH MINOR MODIFICATIONS FROM ITS DRAWINGS AND FROM ITS SPECIFICATIONS AS IT SEES FIT.			
DRAWING NO. <b>DPC5318</b>	FOLDING TOLERANCE: ± 2.0 U.N.O	REV: <b>B</b>	SHEET <b>1/1</b>
	LENGTH TOLERANCE: ± 15.0-0.0		

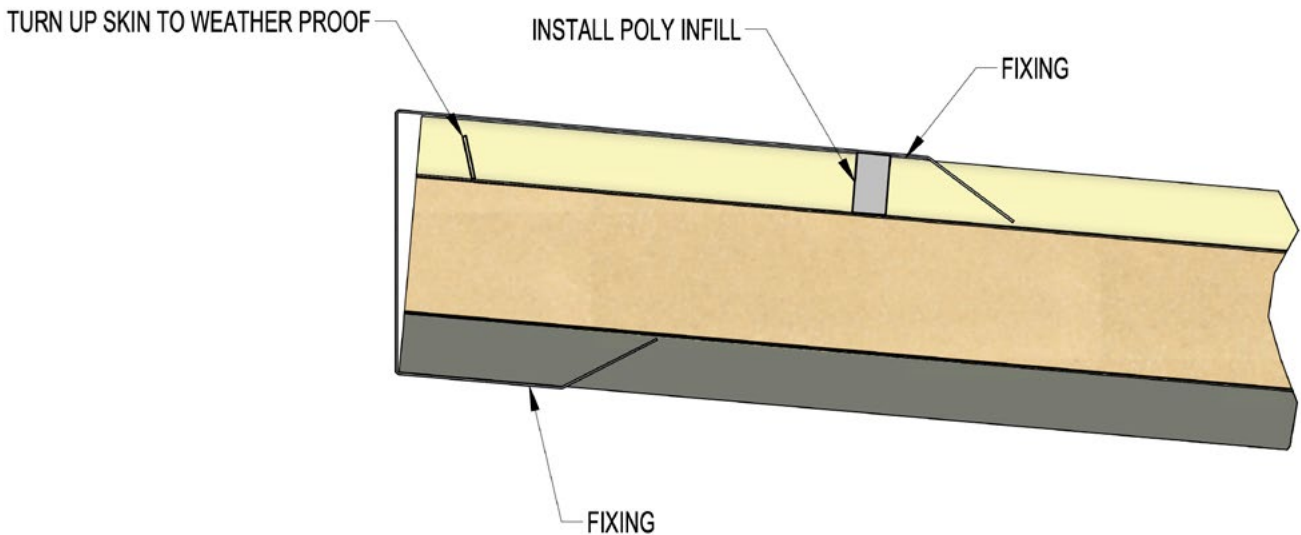
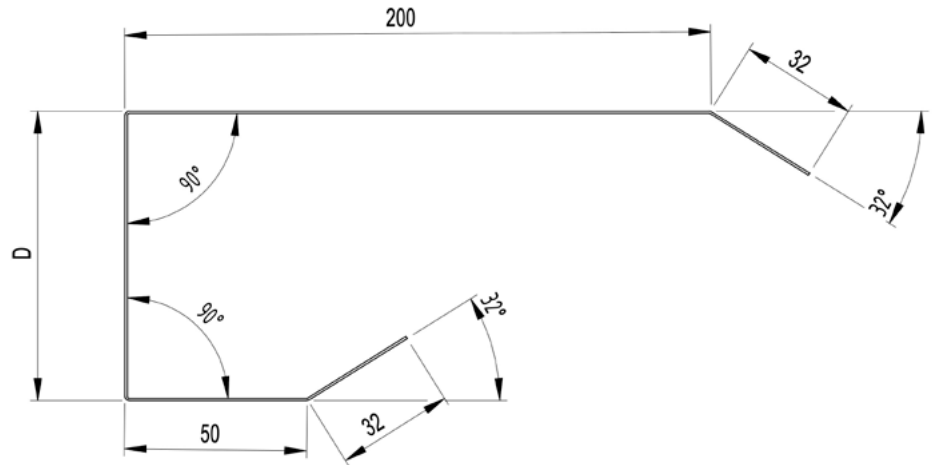
# DeltaCorroCorro Rear Barge Capping

**MATERIAL: 0.55MM G300**

**NOTE:**

STANDARD ANGLES WILL BE MADE AND CHARGED FOR, UNLESS OTHERWISE STATED

THICKNESS	D
75mm	78
100mm	103
125mm	128
150mm	153
175mm	178
200mm	203
225mm	228
250mm	253



### Rear Barge Capping Assembly Detail

DESCRIPTION <b>DeltaCorroCorro - REAR BARGE CAPPING</b>		DESIGNED BY <b>DP</b>	VERSION DATE <b>07/03/2023</b>
DELTA PANELS RESERVES THE RIGHT AT ANY TIME TO SUPPLY GOODS WITH MINOR MODIFICATIONS FROM ITS DRAWINGS AND FROM ITS SPECIFICATIONS AS IT SEES FIT.			
DRAWING NO. <b>DPC5342</b>	FOLDING TOLERANCE: ± 2.0 U.N.O	REV: <b>B</b>	SHEET <b>1/1</b>
	LENGTH TOLERANCE: ± 15.0-0.0		

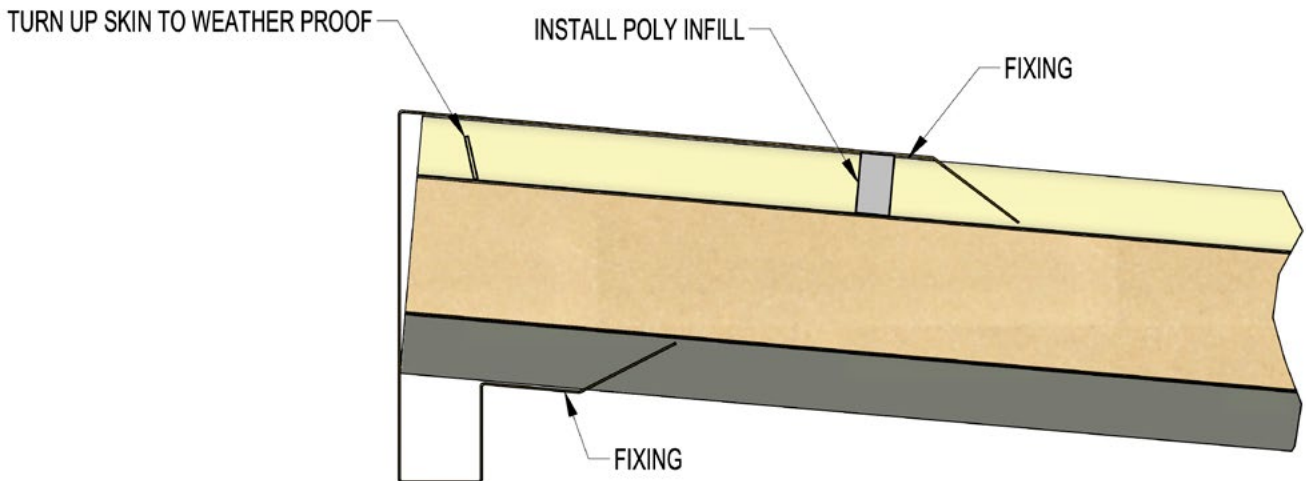
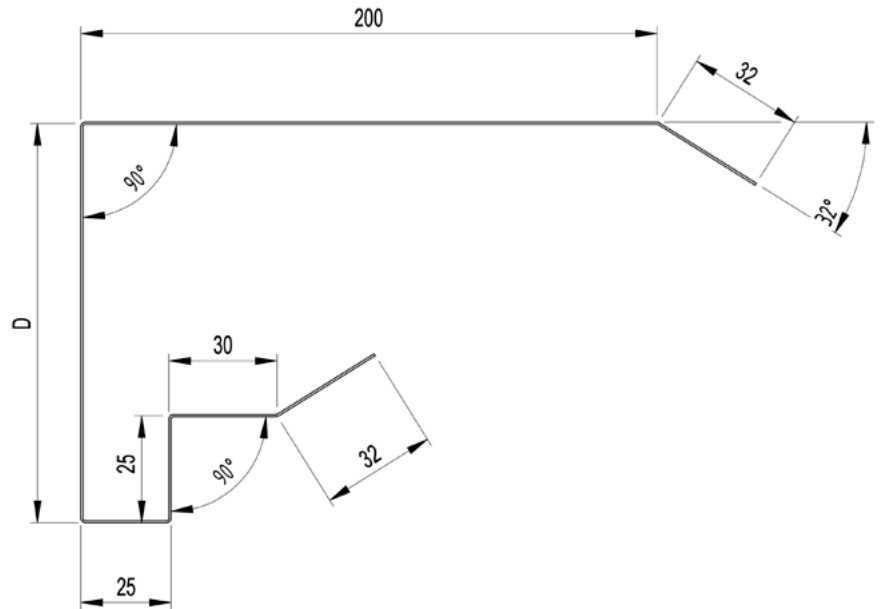
# DeltaCorroCorro Rear Barge Capping with Drip Guard

**MATERIAL: 0.55MM G300**

**NOTE:**

STANDARD ANGLES WILL BE MADE AND CHARGED FOR, UNLESS OTHERWISE STATED

THICKNESS	D
75mm	103
100mm	128
125mm	153
150mm	178
175mm	203
200mm	228
225mm	253
250mm	278



### Rear Barge Capping Assembly Detail

DESCRIPTION <b>DeltaCorroCorro - REAR BARGE CAPPING WITH DRIP GUARD</b>		DESIGNED BY <b>DP</b>	VERSION DATE <b>07/03/2023</b>
DELTA PANELS RESERVES THE RIGHT AT ANY TIME TO SUPPLY GOODS WITH MINOR MODIFICATIONS FROM ITS DRAWINGS AND FROM ITS SPECIFICATIONS AS IT SEES FIT.			
DRAWING NO. <b>DPC5343</b>	FOLDING TOLERANCE: ± 2.0 U.N.O	REV: <b>B</b>	SHEET <b>1/1</b>
	LENGTH TOLERANCE: ± 15.0-0.0		



# DeltaCorroCorro Fascia Flashing

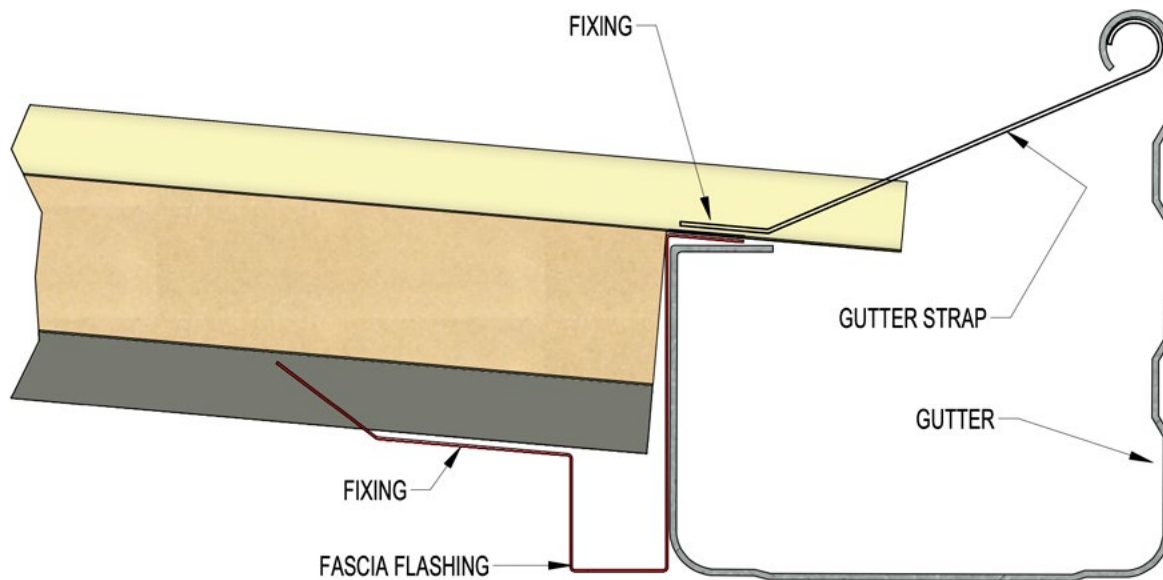
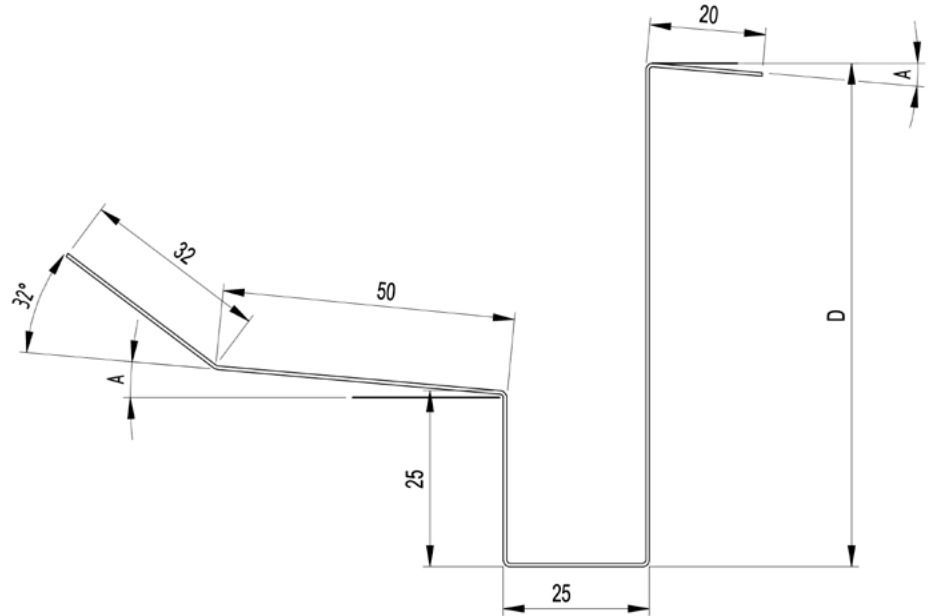
**MATERIAL: 0.55MM G300**

**NOTE:**

STANDARD ANGLES WILL BE MADE AND CHARGED FOR, UNLESS OTHERWISE STATED

THICKNESS	D
75mm	82
100mm	107
125mm	132
150mm	157
175mm	182
200mm	207
225mm	232
250mm	257

ROOF PITCH FOR THIS ORDER		
ANGLE	STD	REQD
A	3°	.....°



### Fascia Flashing Assembly Detail

DESCRIPTION <b>DeltaCorroCorro - FASCIA FLASHING</b>		DESIGNED BY <b>DP</b>	VERSION DATE <b>07/03/2023</b>
DELTA PANELS RESERVES THE RIGHT AT ANY TIME TO SUPPLY GOODS WITH MINOR MODIFICATIONS FROM ITS DRAWINGS AND FROM ITS SPECIFICATIONS AS IT SEES FIT.			
DRAWING NO. <b>DPC5211</b>	FOLDING TOLERANCE: ± 2.0 U.N.O	REV: <b>B</b>	SHEET <b>1/1</b>
	LENGTH TOLERANCE: ± 15.0-0.0		



# DeltaTrimTrim Receiver Channel

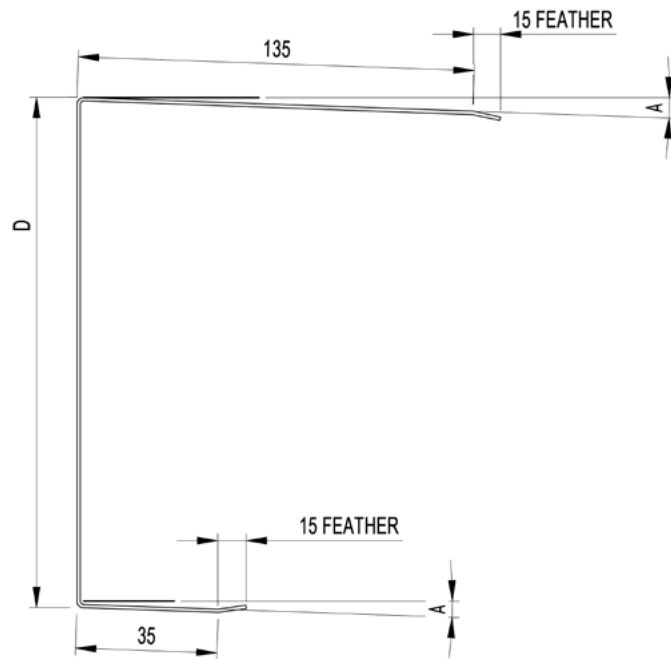
**MATERIAL: 1.2MM BMT**

**COLOUR:**

SURFMIST / OFFWHITE ONLY

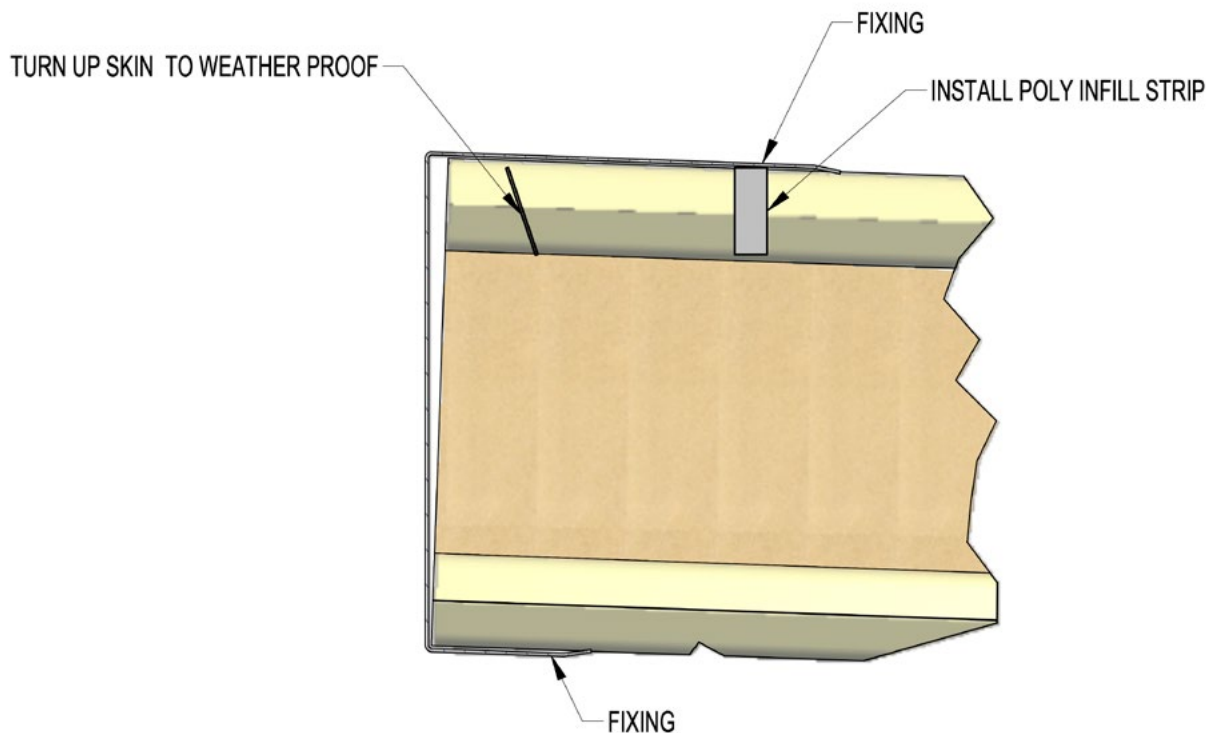
**NOTE:**

STANDARD ANGLES WILL BE MADE AND CHARGED FOR, UNLESS OTHERWISE STATED



THICKNESS	D
75mm	146
100mm	171
125mm	197
150mm	222
175mm	247
200mm	271

ROOF PITCH FOR THIS ORDER		
ANGLE	STD	REQD
A	2°	.....°



## Receiver Channel Assembly Detail

DESCRIPTION <b>DeltaTrimTrim - RECEIVER CHANNEL</b>		DESIGNED BY <b>DP</b>	VERSION DATE <b>07/03/2023</b>
DELTA PANELS RESERVES THE RIGHT AT ANY TIME TO SUPPLY GOODS WITH MINOR MODIFICATIONS FROM ITS DRAWINGS AND FROM ITS SPECIFICATIONS AS IT SEES FIT.			
DRAWING NO. <b>DPC5329</b>	FOLDING TOLERANCE: ± 2.0 U.N.O	REV: <b>B</b>	SHEET <b>1/1</b>
	LENGTH TOLERANCE: ± 15.0-0.0		

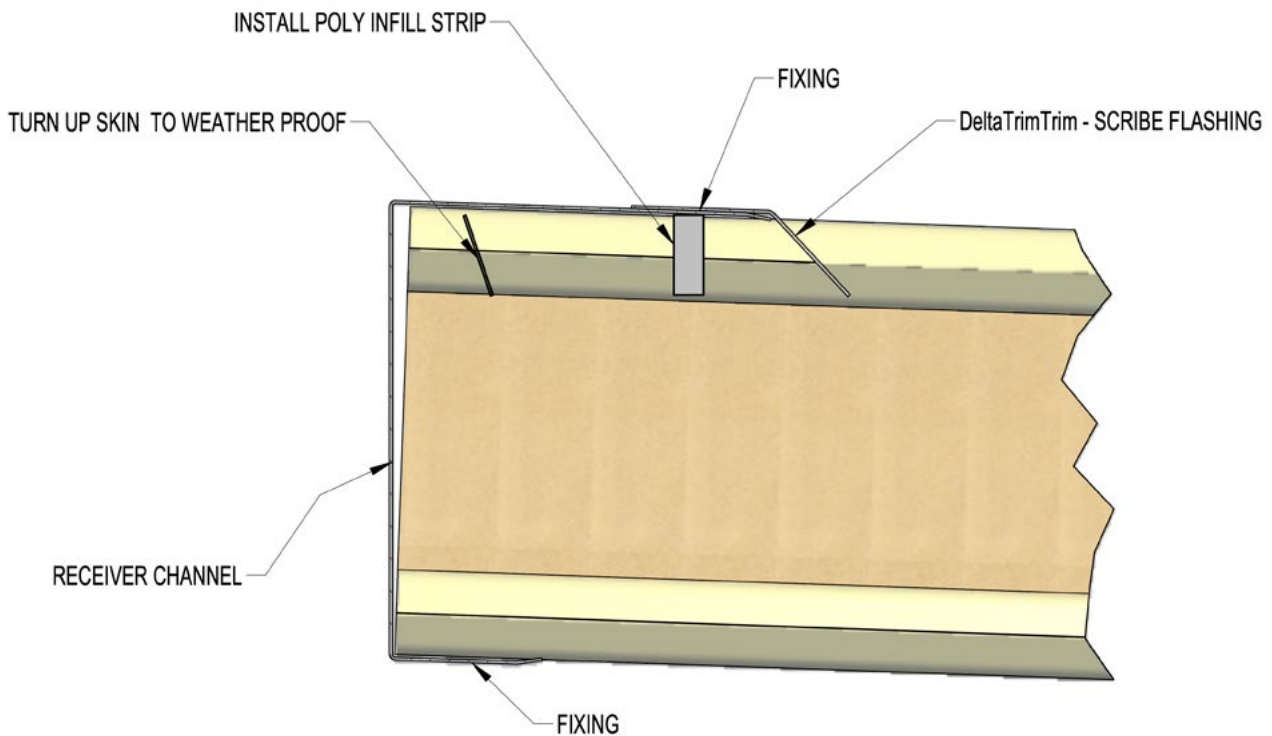
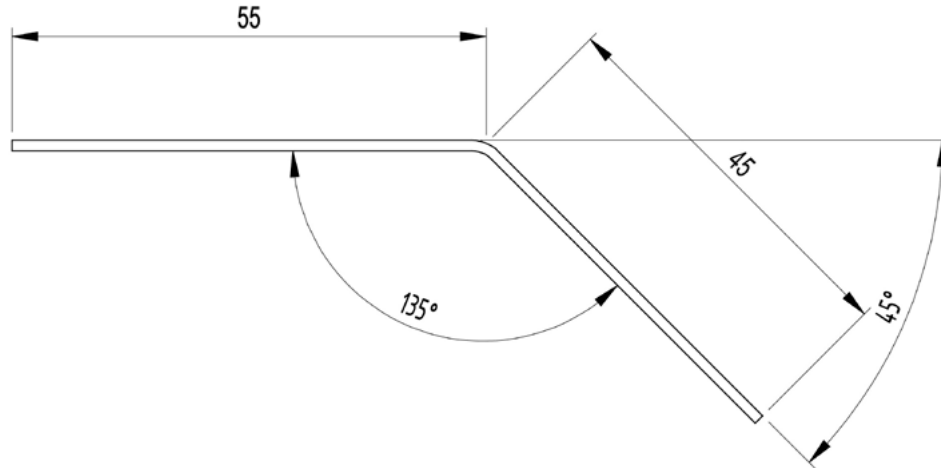
# DeltaTrimTrim Scribe Flashing

**MATERIAL: 0.55MM 300**

**NOTE:**

STANDARD ANGLES WILL BE MADE AND CHARGED FOR, UNLESS OTHERWISE STATED

$L = \text{NUMBER OF PANELS} + 50\text{mm}$



**Apron Receiver Channel Flashing Assembly Detail**

DESCRIPTION <b>DeltaTrimTrim - SCRIBE FLASHING</b>		DESIGNED BY <b>DP</b>	VERSION DATE <b>07/03/2023</b>
DELTA PANELS RESERVES THE RIGHT AT ANY TIME TO SUPPLY GOODS WITH MINOR MODIFICATIONS FROM ITS DRAWINGS AND FROM ITS SPECIFICATIONS AS IT SEES FIT.			
DRAWING NO. <b>DPC5341 - B</b>	FOLDING TOLERANCE: ± 2.0 U.N.O	REV: <b>B</b>	SHEET <b>1/1</b>
	LENGTH TOLERANCE: ± 15.0-0.0		

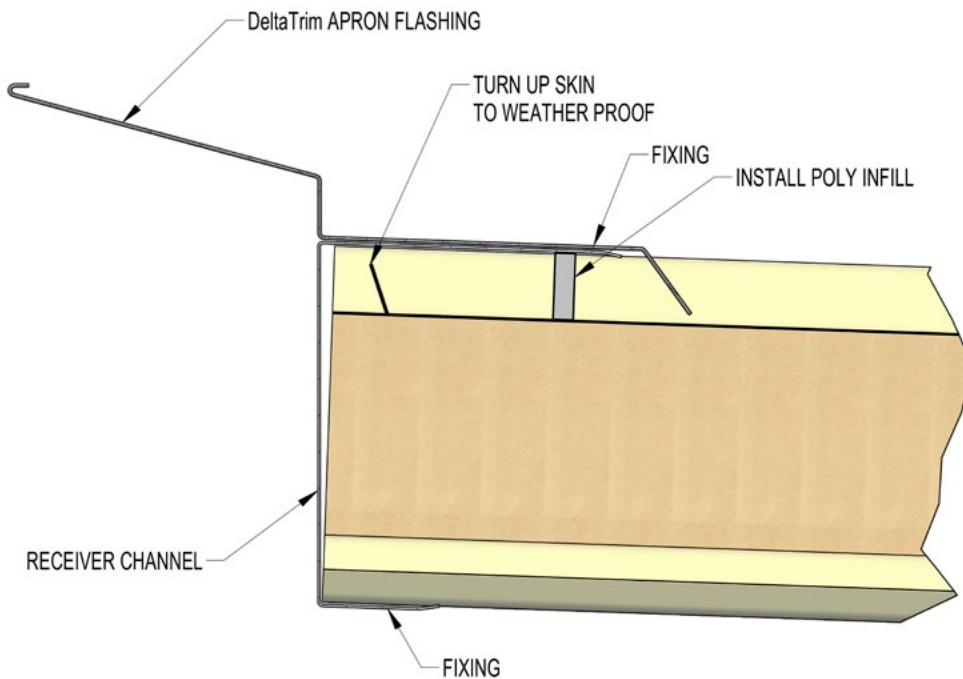
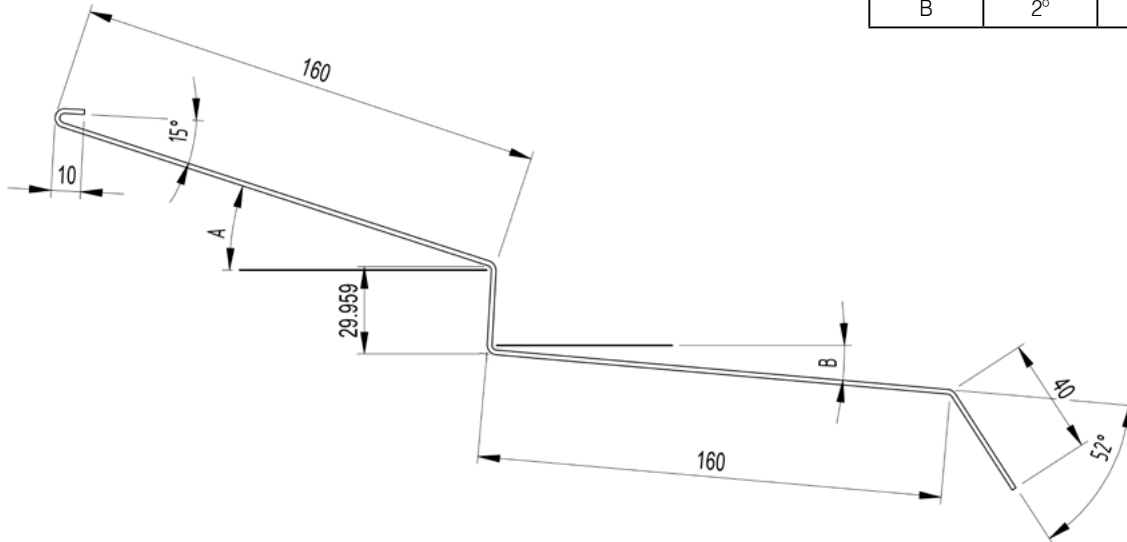
# DeltaTrimTrim Apron Flashing

**MATERIAL: 0.55MM 300**

**NOTE:**

STANDARD ANGLES WILL BE MADE AND CHARGED FOR, UNLESS OTHERWISE STATED

ROOF PITCH FOR THIS ORDER		
ANGLE	STD	REQD
A	15°	.....°
B	2°	.....°



## Apron Flashing Assembly Detail

DESCRIPTION <b>DeltaTrimTrim - APRON FLASHING</b>		DESIGNED BY <b>DP</b>	VERSION DATE <b>05/06/2019</b>
DELTA PANELS RESERVES THE RIGHT AT ANY TIME TO SUPPLY GOODS WITH MINOR MODIFICATIONS FROM ITS DRAWINGS AND FROM ITS SPECIFICATIONS AS IT SEES FIT.			
DRAWING NO. <b>DPC5075 - A</b>	FOLDING TOLERANCE: ± 2.0 U.N.O	REV: <b>A</b>	SHEET <b>1/1</b>
	LENGTH TOLERANCE: ± 15.0-0.0		

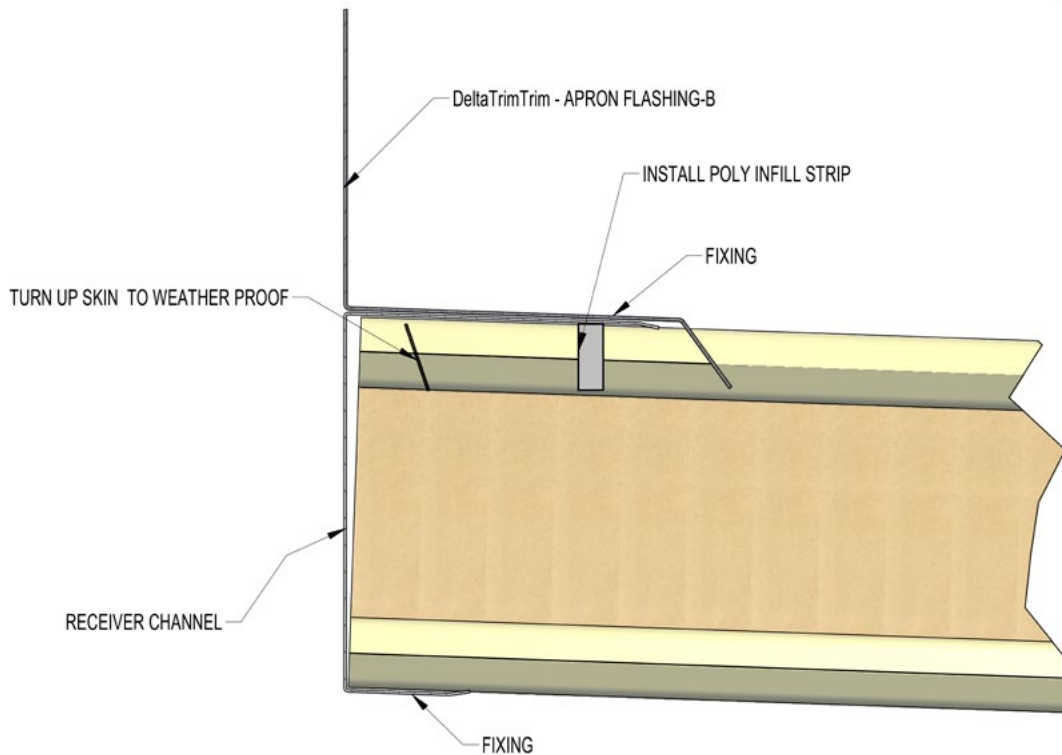
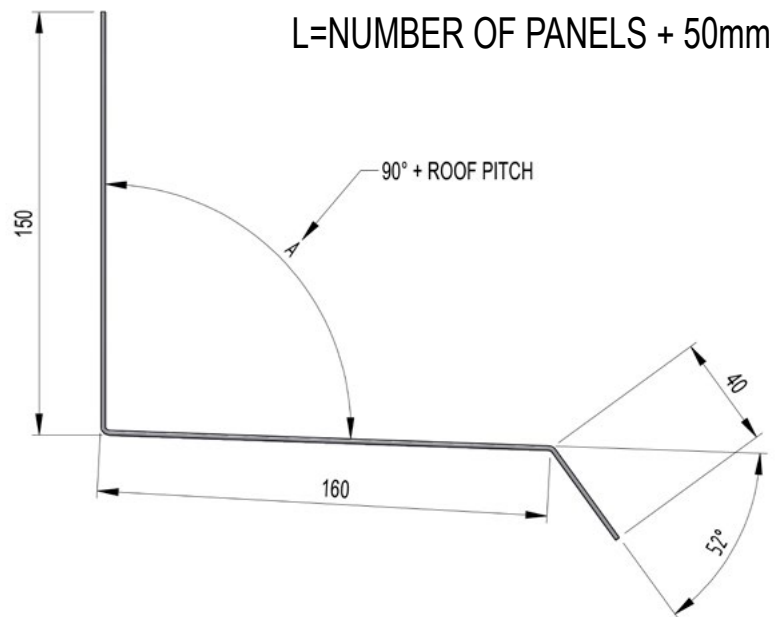
# DeltaTrimTrim Apron Flashing - B

**MATERIAL: 0.55MM 300**

**NOTE:**

STANDARD ANGLES WILL BE MADE AND CHARGED FOR, UNLESS OTHERWISE STATED

ROOF PITCH FOR THIS ORDER		
ANGLE	STD	REQD
A	90°	.....°



### Apron Flashing Assembly Detail

DESCRIPTION <b>DeltaTrimTrim - APRON FLASHING - B</b>		DESIGNED BY <b>DP</b>	VERSION DATE <b>05/06/2019</b>
DELTA PANELS RESERVES THE RIGHT AT ANY TIME TO SUPPLY GOODS WITH MINOR MODIFICATIONS FROM ITS DRAWINGS AND FROM ITS SPECIFICATIONS AS IT SEES FIT.			
DRAWING NO. <b>DPC5078 - B</b>	FOLDING TOLERANCE: ± 2.0 U.N.O	REV: <b>A</b>	SHEET <b>1/1</b>
	LENGTH TOLERANCE: ± 15.0-0.0		

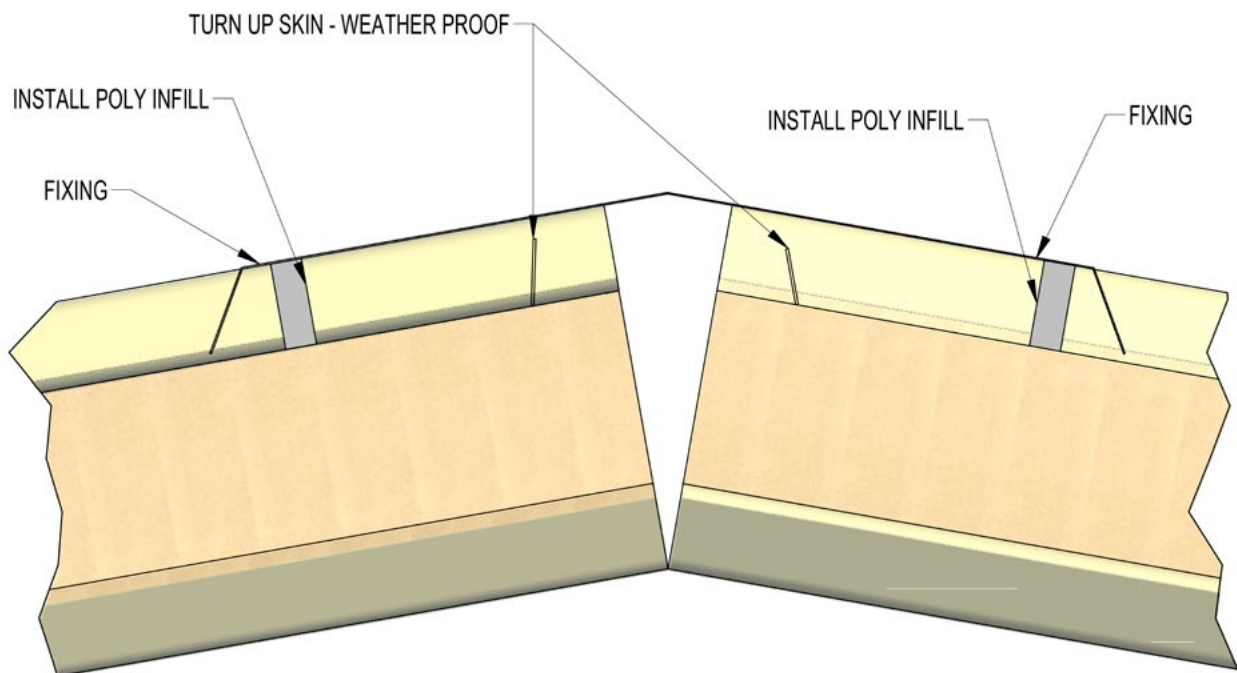
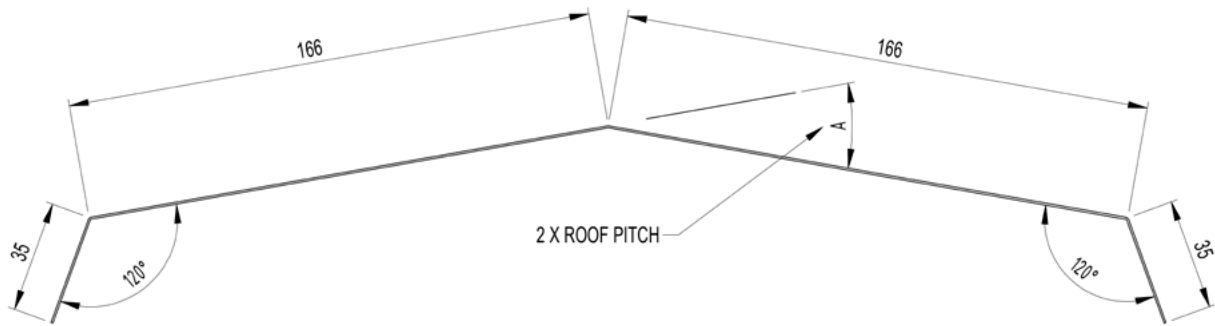
# DeltaTrimTrim Ridge Cap

**MATERIAL: 0.55MM 300**

**NOTE:**

STANDARD ANGLES WILL BE MADE AND CHARGED FOR, UNLESS OTHERWISE STATED

ROOF PITCH FOR THIS ORDER		
ANGLE	STD	REQD
A	4°	.....°



### Ridge Cap Assembly Detail

DESCRIPTION <b>DeltaTrimTrim - RIDGE CAP</b>		DESIGNED BY <b>DP</b>	VERSION DATE <b>05/06/2019</b>
DELTA PANELS RESERVES THE RIGHT AT ANY TIME TO SUPPLY GOODS WITH MINOR MODIFICATIONS FROM ITS DRAWINGS AND FROM ITS SPECIFICATIONS AS IT SEES FIT.			
DRAWING NO. <b>DPC5050 - B</b>	FOLDING TOLERANCE: ± 2.0 U.N.O	REV: <b>A</b>	SHEET <b>1/1</b>
	LENGTH TOLERANCE: ± 15.0-0.0		

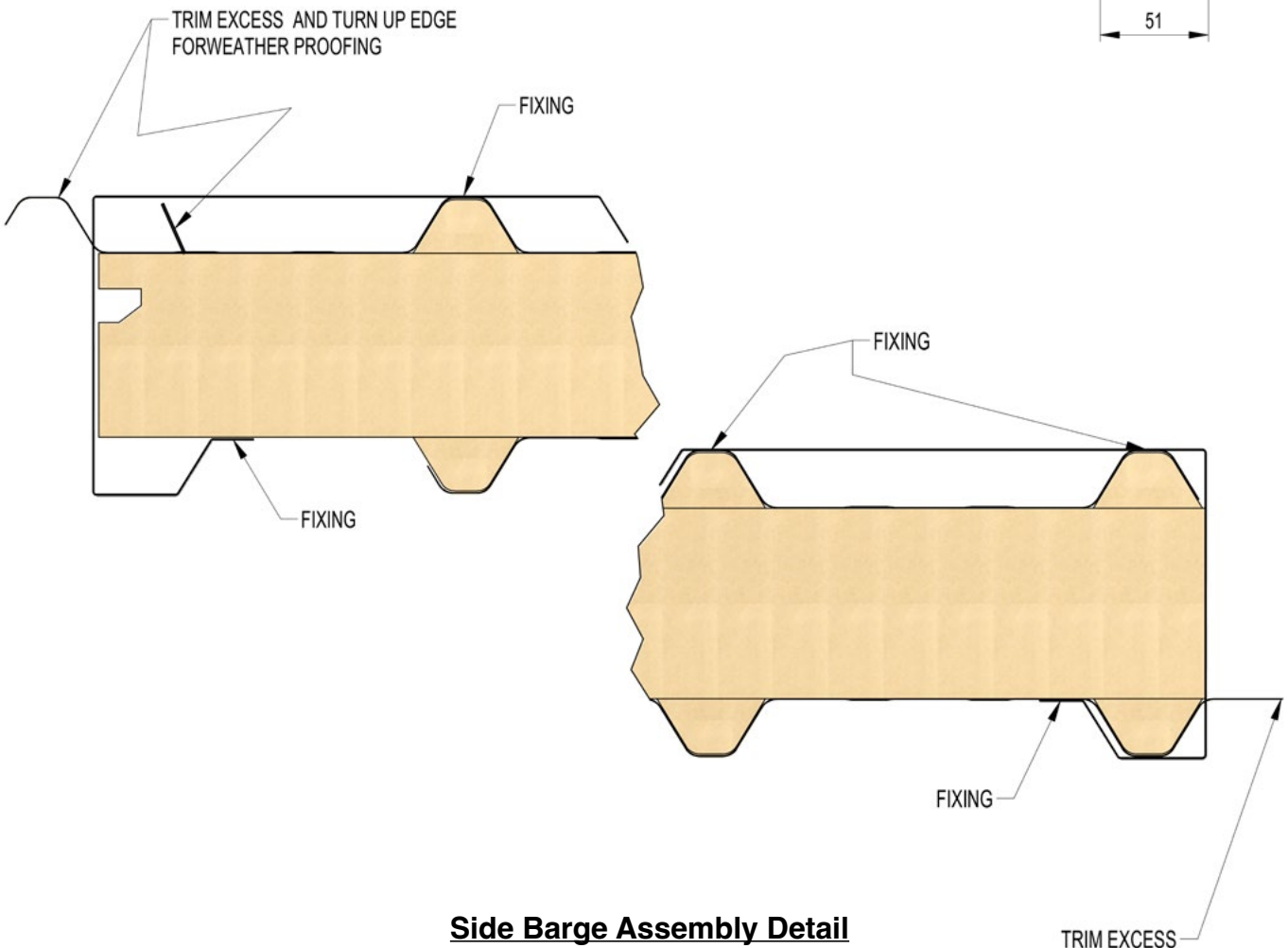
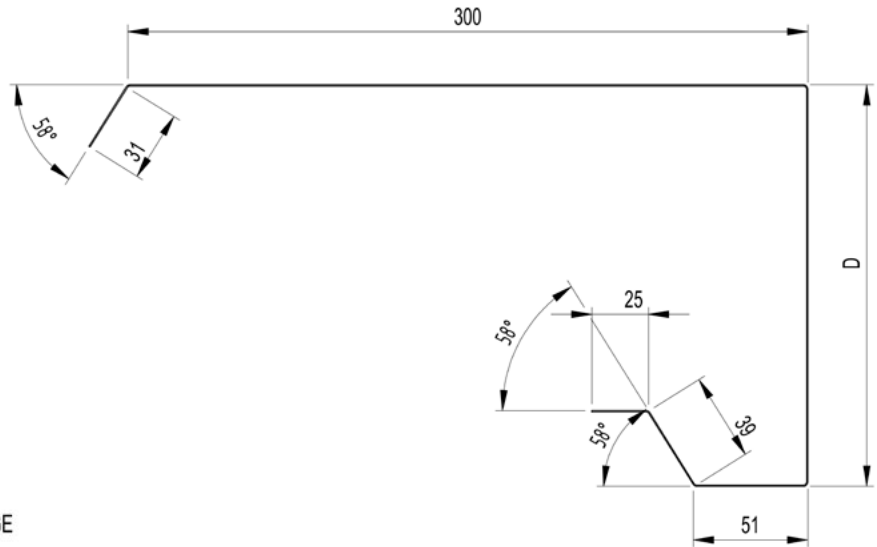
# DeltaTrimTrim Side Barge

**MATERIAL: 0.55MM G300**

**NOTE:**

STANDARD ANGLES WILL BE MADE AND CHARGED FOR, UNLESS OTHERWISE STATED

THICKNESS	D
75mm	143
100mm	168
125mm	193
150mm	218
175mm	243
200mm	268



**Side Barge Assembly Detail**

TRIM EXCESS

DESCRIPTION <b>DeltaTrimTrim - SIDE BARGE</b>		DESIGNED BY <b>DP</b>	VERSION DATE <b>05/06/2019</b>
DELTA PANELS RESERVES THE RIGHT AT ANY TIME TO SUPPLY GOODS WITH MINOR MODIFICATIONS FROM ITS DRAWINGS AND FROM ITS SPECIFICATIONS AS IT SEES FIT.			
DRAWING NO. <b>DPC5326</b>	FOLDING TOLERANCE: ± 2.0 U.N.O	REV: <b>A</b>	SHEET <b>1/1</b>
	LENGTH TOLERANCE: ± 15.0-0.0		



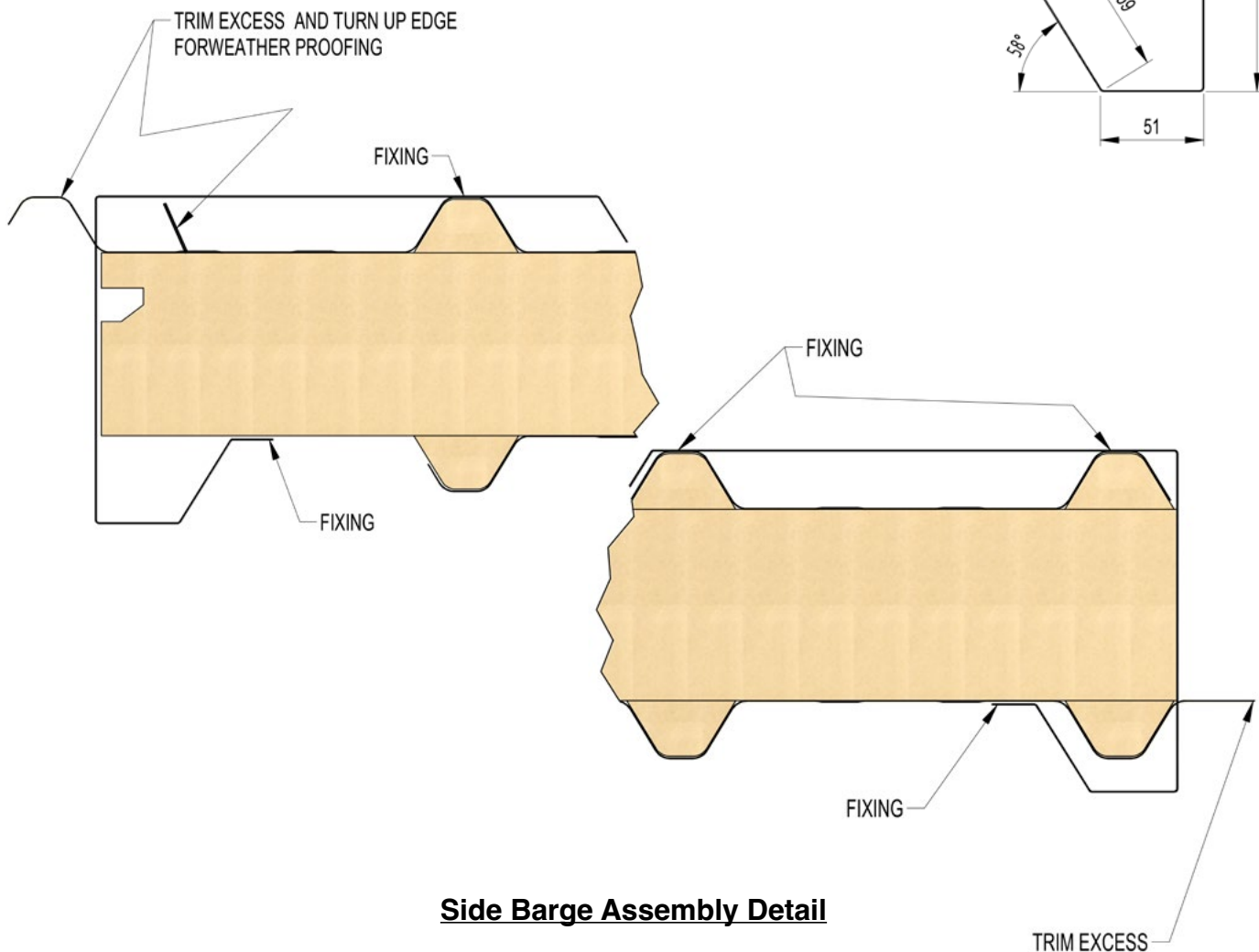
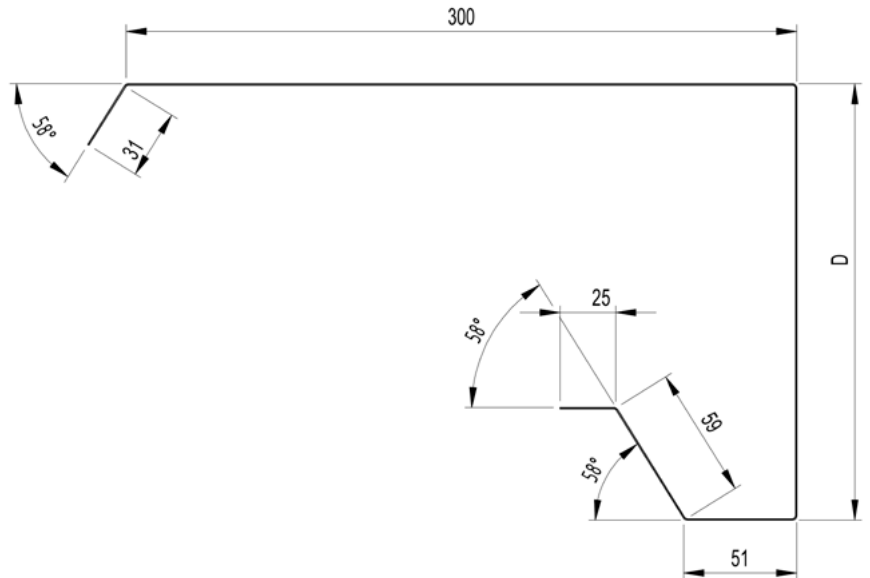
# DeltaTrimTrim Side Barge with Drip Guard

**MATERIAL: 0.55MM G300**

**NOTE:**

STANDARD ANGLES WILL BE MADE AND CHARGED FOR, UNLESS OTHERWISE STATED

THICKNESS	D
75mm	161
100mm	186
125mm	211
150mm	236
175mm	261
200mm	286



**Side Barge Assembly Detail**

DESCRIPTION <b>DeltaTrimTrim - SIDE BARGE WITH DRIP GUARD</b>		DESIGNED BY <b>DP</b>	VERSION DATE <b>05/06/2019</b>
DELTA PANELS RESERVES THE RIGHT AT ANY TIME TO SUPPLY GOODS WITH MINOR MODIFICATIONS FROM ITS DRAWINGS AND FROM ITS SPECIFICATIONS AS IT SEES FIT.			
DRAWING NO. <b>DPC5323</b>	FOLDING TOLERANCE: ± 2.0 U.N.O	REV: <b>A</b>	SHEET <b>1/1</b>
	LENGTH TOLERANCE: ± 15.0-0.0		



# DeltaTrimTrim Rear Barge Capping

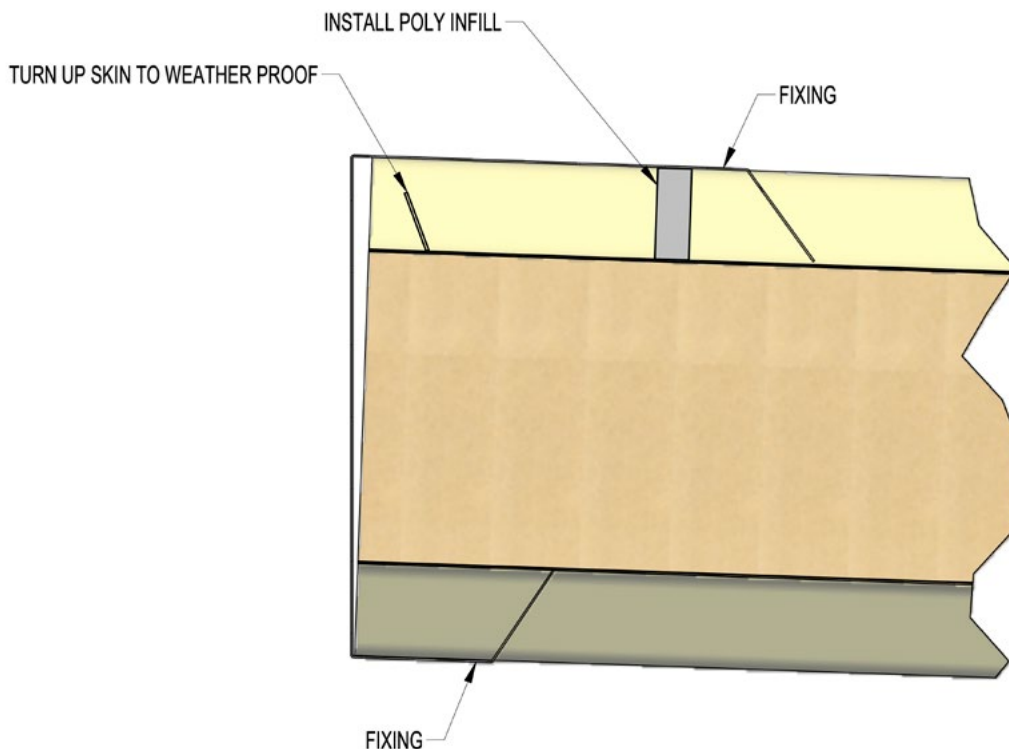
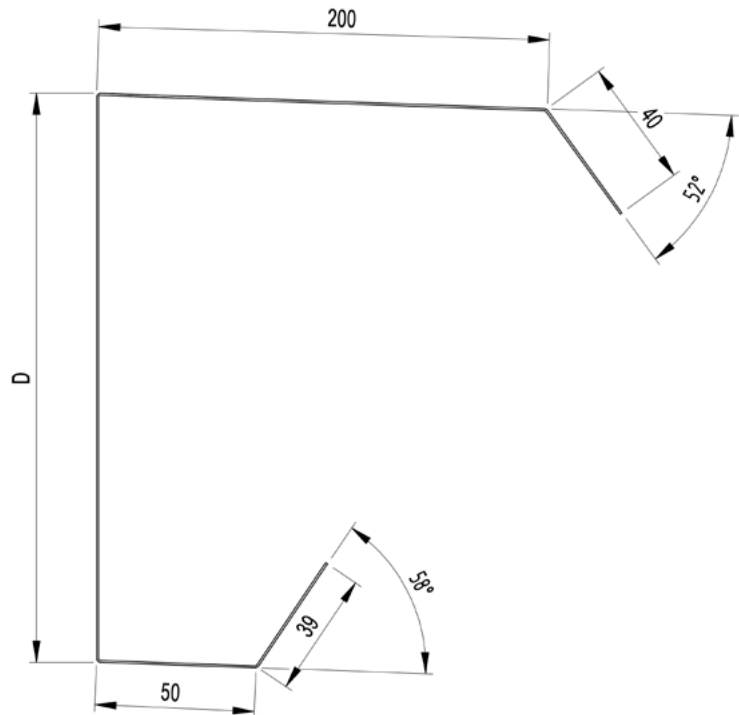
**MATERIAL: 0.55MM G300**

**NOTE:**

STANDARD ANGLES WILL BE MADE AND CHARGED FOR, UNLESS OTHERWISE STATED

THICKNESS	D
75mm	144
100mm	169
125mm	194
150mm	219
175mm	244
200mm	269

ROOF PITCH FOR THIS ORDER		
ANGLE	STD	REQD
A	2°	.....°



**Rear Barge Capping Assembly Detail**

DESCRIPTION <b>DeltaTrimTrim - REAR BARGE CAPPING</b>		DESIGNED BY <b>DP</b>	VERSION DATE <b>08/03/2023</b>
DELTA PANELS RESERVES THE RIGHT AT ANY TIME TO SUPPLY GOODS WITH MINOR MODIFICATIONS FROM ITS DRAWINGS AND FROM ITS SPECIFICATIONS AS IT SEES FIT.			
DRAWING NO. <b>DPC5325</b>	FOLDING TOLERANCE: ± 2.0 U.N.O	REV: <b>B</b>	SHEET <b>1/1</b>
	LENGTH TOLERANCE: ± 15.0-0.0		

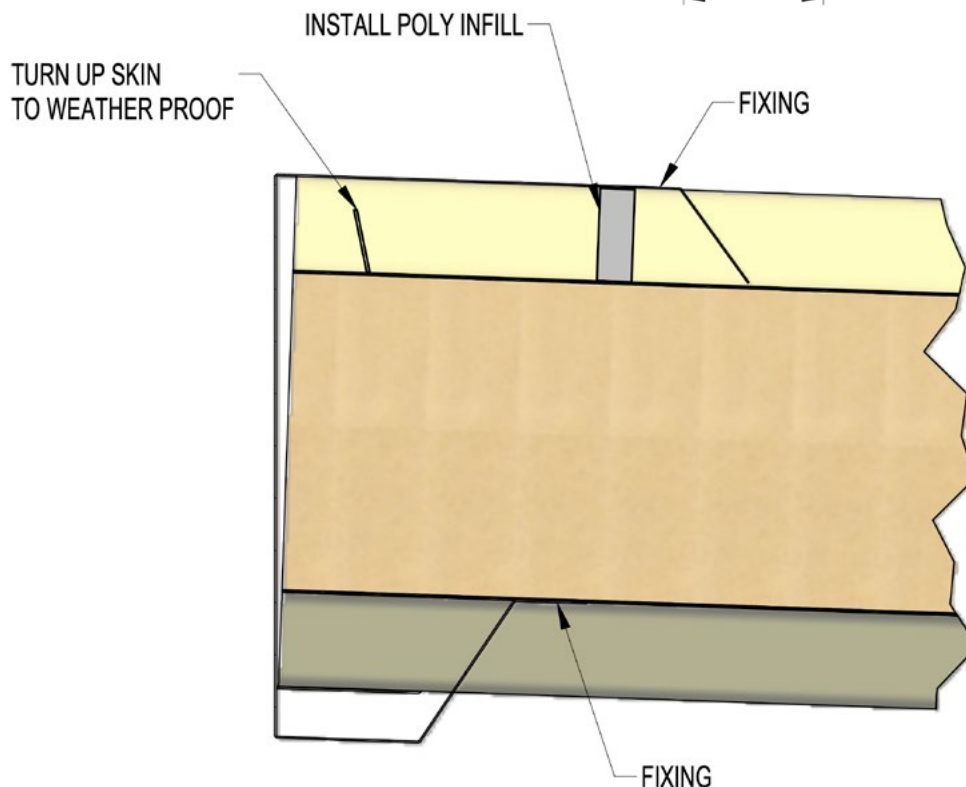
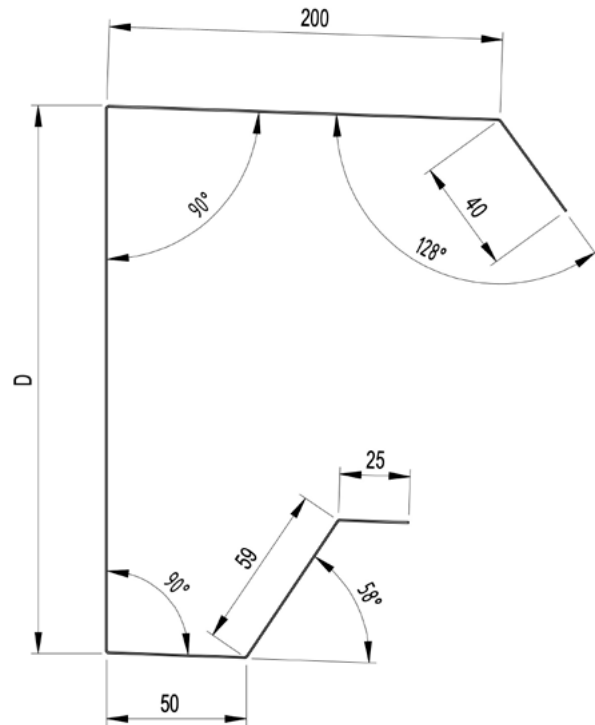
# DeltaTrimTrim Rear Barge Capping with Drip Guard

**MATERIAL: 0.55MM G300**

**NOTE:**

STANDARD ANGLES WILL BE MADE AND CHARGED FOR, UNLESS OTHERWISE STATED

THICKNESS	D
75mm	161
100mm	186
125mm	211
150mm	236
175mm	261
200mm	286



**Rear Barge Capping Assembly Detail**

DESCRIPTION <b>DeltaTrimTrim - REAR BARGE CAPPING WITH DRIP GUARD</b>		DESIGNED BY <b>DP</b>	VERSION DATE <b>08/03/2023</b>
DELTA PANELS RESERVES THE RIGHT AT ANY TIME TO SUPPLY GOODS WITH MINOR MODIFICATIONS FROM ITS DRAWINGS AND FROM ITS SPECIFICATIONS AS IT SEES FIT.			
DRAWING NO. <b>DPC5324</b>	FOLDING TOLERANCE: ± 2.0 U.N.O	REV: <b>B</b>	SHEET <b>1/1</b>
	LENGTH TOLERANCE: ± 15.0-0.0		

# DeltaTrimTrim Fascia Flashing

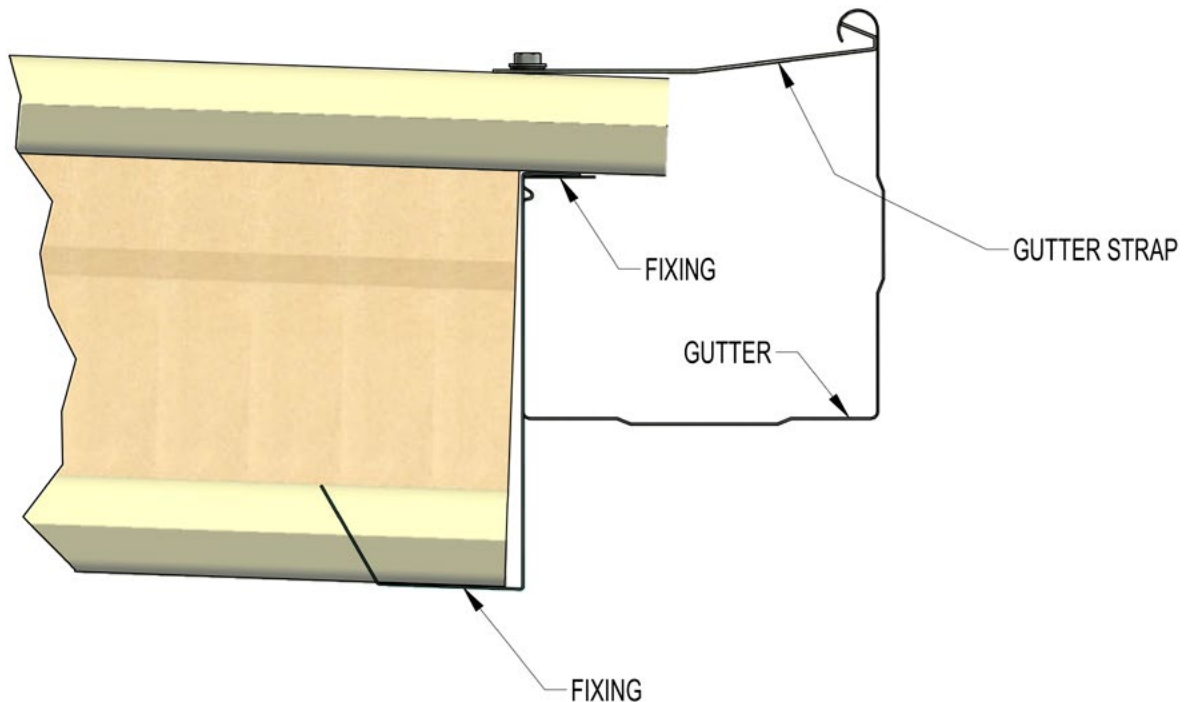
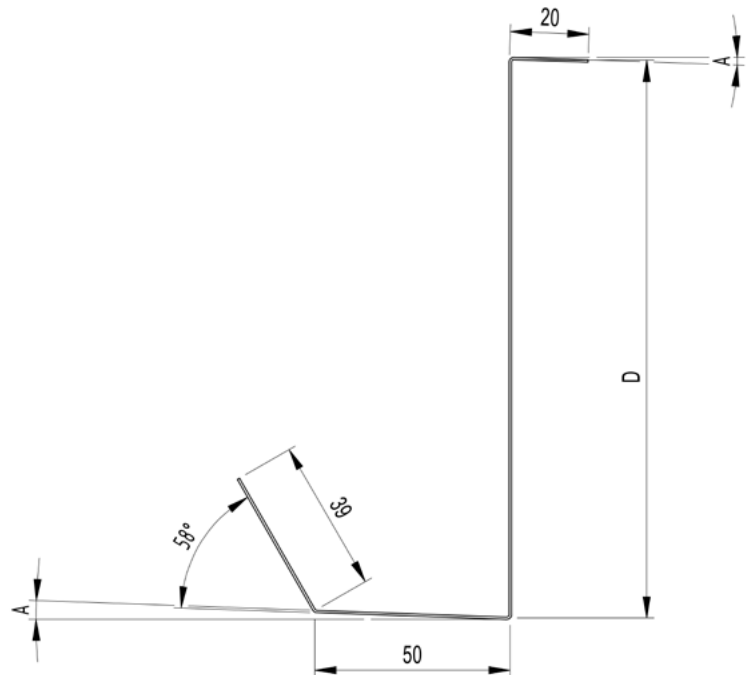
**MATERIAL: 0.55MM G300**

**NOTE:**

STANDARD ANGLES WILL BE MADE AND CHARGED FOR, UNLESS OTHERWISE STATED

THICKNESS	D
75mm	107
100mm	132
125mm	157
150mm	182
175mm	207
200mm	232

ROOF PITCH FOR THIS ORDER		
ANGLE	STD	REQD
A	2°	.....°



**Fascia Flashing Assembly Detail**

DESCRIPTION <b>DeltaTrimTrim - FASCIA FLASHING</b>		DESIGNED BY <b>DP</b>	VERSION DATE <b>05/06/2019</b>
DELTA PANELS RESERVES THE RIGHT AT ANY TIME TO SUPPLY GOODS WITH MINOR MODIFICATIONS FROM ITS DRAWINGS AND FROM ITS SPECIFICATIONS AS IT SEES FIT.			
DRAWING NO. <b>DPC5328</b>	FOLDING TOLERANCE: ± 2.0 U.N.O	REV: <b>A</b>	SHEET <b>1/1</b>
	LENGTH TOLERANCE: ± 15.0-0.0		

# DeltaTrimTrim Fascia Flashing with Drip Guard

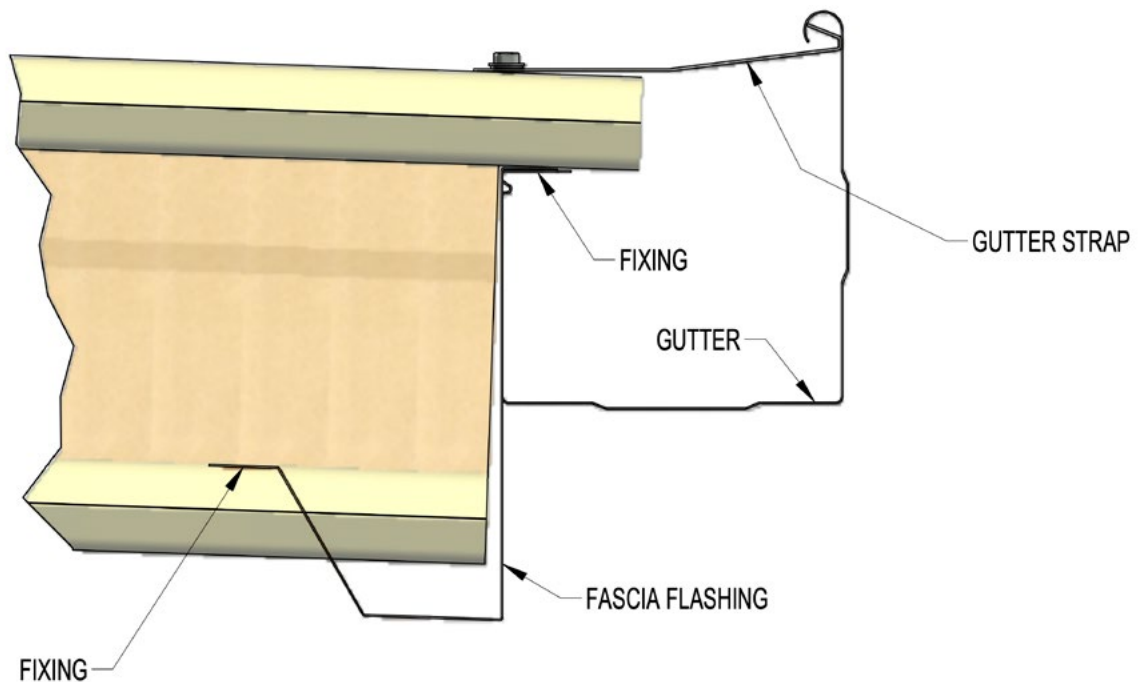
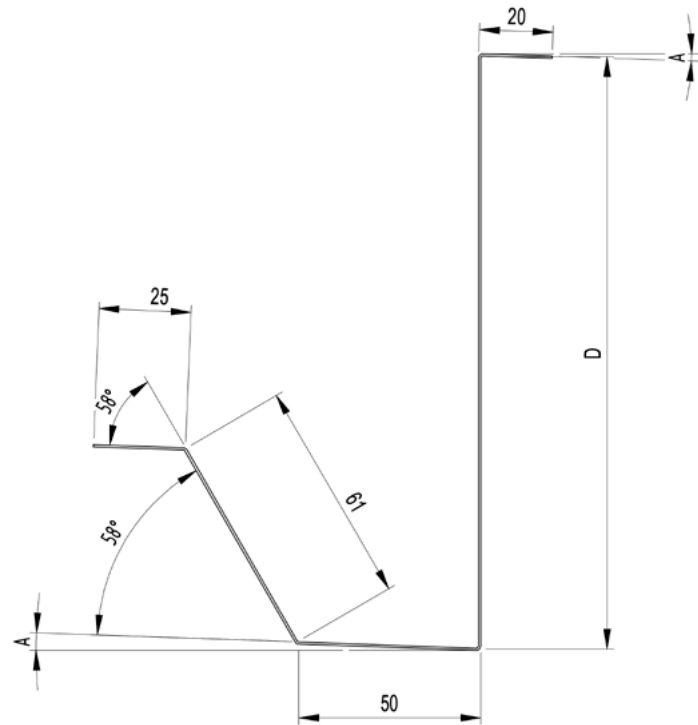
**MATERIAL: 0.55MM G300**

**NOTE:**

STANDARD ANGLES WILL BE MADE AND CHARGED FOR, UNLESS OTHERWISE STATED

THICKNESS	D
75mm	126
100mm	151
125mm	176
150mm	201
175mm	226
200mm	251

ROOF PITCH FOR THIS ORDER		
ANGLE	STD	REQD
A	2°	.....°



**Fascia Flashing Assembly Detail**

DESCRIPTION <b>DeltaTrimTrim - FASCIA FLASHING WITH DRIP GUARD</b>		DESIGNED BY <b>DP</b>	VERSION DATE <b>08/03/2023</b>
DELTA PANELS RESERVES THE RIGHT AT ANY TIME TO SUPPLY GOODS WITH MINOR MODIFICATIONS FROM ITS DRAWINGS AND FROM ITS SPECIFICATIONS AS IT SEES FIT.			
DRAWING NO. <b>DPC5327</b>	FOLDING TOLERANCE: ± 2.0 U.N.O	REV: <b>B</b>	SHEET <b>1/1</b>
	LENGTH TOLERANCE: ± 15.0-0.0		

# DeltaTrimCorro Receiver Channel

**MATERIAL: 1.2MM BMT**

**COLOUR:**

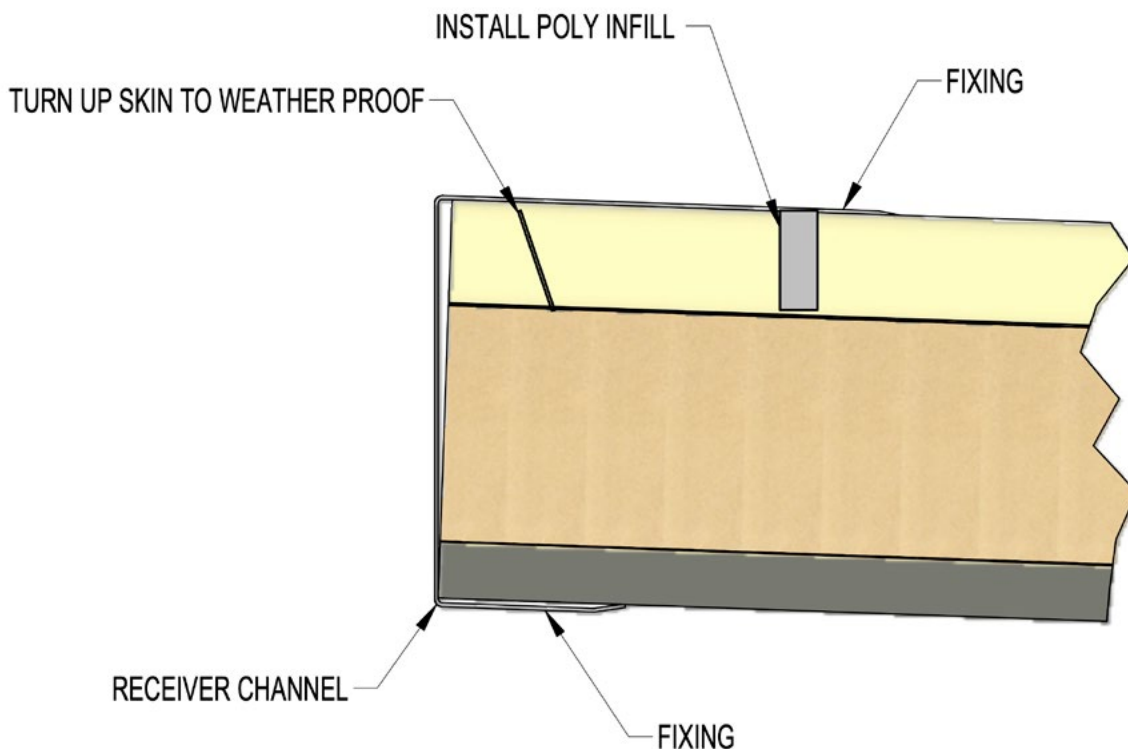
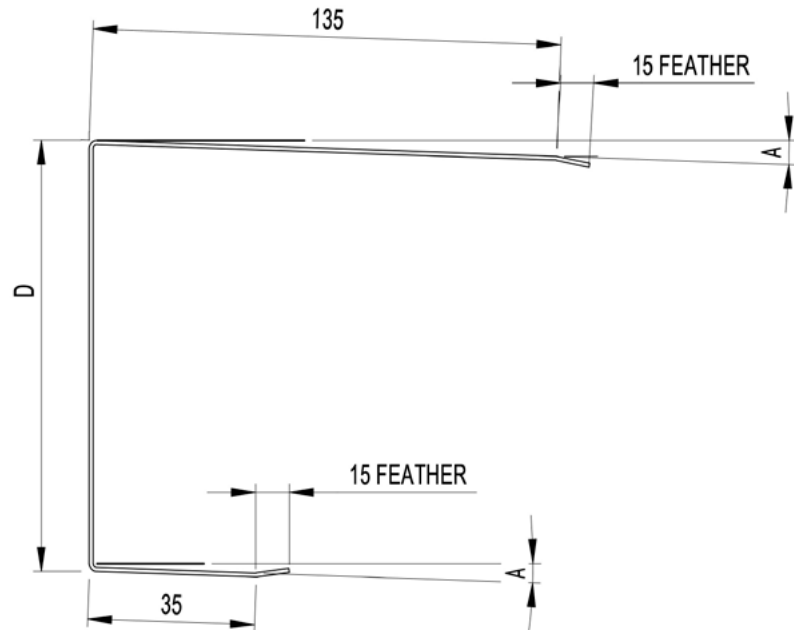
SURFMIST / OFFWHITE ONLY

**NOTE:**

STANDARD ANGLES WILL BE MADE AND CHARGED FOR, UNLESS OTHERWISE STATED

THICKNESS	D
75mm	130
100mm	155
125mm	180
150mm	205
175mm	230
200mm	255

ROOF PITCH FOR THIS ORDER		
ANGLE	STD	REQD
A	3°	.....°



## Receiver Channel Assembly Detail

DESCRIPTION <b>DeltaTrimCorro - RECEIVER CHANNEL</b>		DESIGNED BY <b>DP</b>	VERSION DATE <b>08/03/2023</b>
DELTA PANELS RESERVES THE RIGHT AT ANY TIME TO SUPPLY GOODS WITH MINOR MODIFICATIONS FROM ITS DRAWINGS AND FROM ITS SPECIFICATIONS AS IT SEES FIT.			
DRAWING NO. <b>DPC5330</b>	FOLDING TOLERANCE: ± 2.0 U.N.O	REV: <b>B</b>	SHEET <b>1/1</b>
	LENGTH TOLERANCE: ± 15.0-0.0		

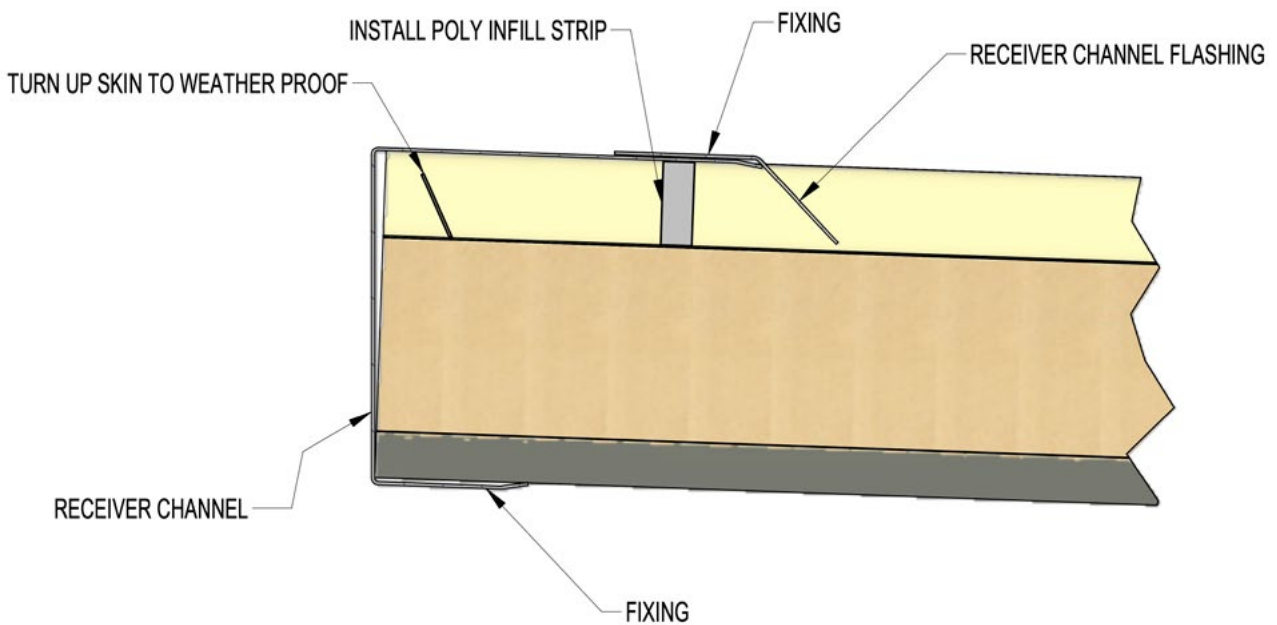
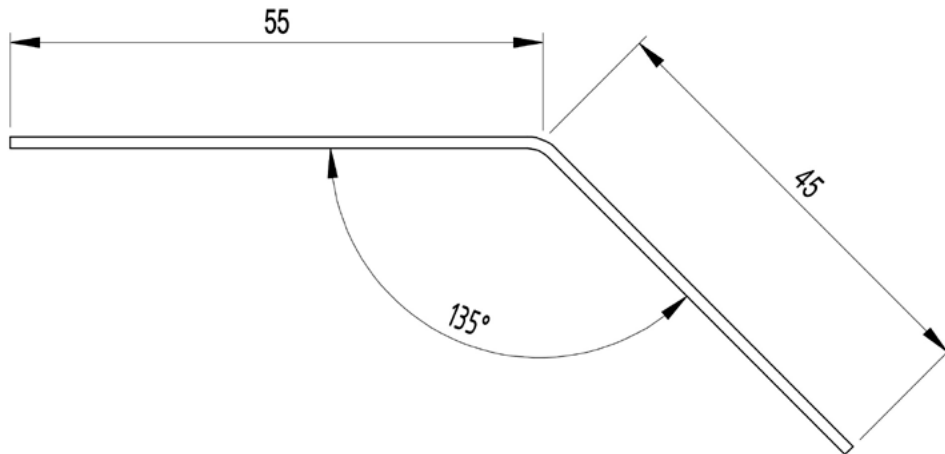
# DeltaTrimCorro Scribe Flashing

**MATERIAL: 0.55MM G300**

**NOTE:**

STANDARD ANGLES WILL BE MADE AND CHARGED FOR, UNLESS OTHERWISE STATED

**L=NUMBER OF PANELS + 50mm**



### Receiver Channel Flashing Assembly Detail

DESCRIPTION <b>DeltaTrimCorro - SCRIBE FLASHING</b>		DESIGNED BY <b>DP</b>	VERSION DATE <b>07/03/2023</b>
DELTA PANELS RESERVES THE RIGHT AT ANY TIME TO SUPPLY GOODS WITH MINOR MODIFICATIONS FROM ITS DRAWINGS AND FROM ITS SPECIFICATIONS AS IT SEES FIT.			
DRAWING NO. <b>DPC5341 - C</b>	FOLDING TOLERANCE: ± 2.0 U.N.O	REV: <b>B</b>	SHEET <b>1/1</b>
	LENGTH TOLERANCE: ± 15.0-0.0		

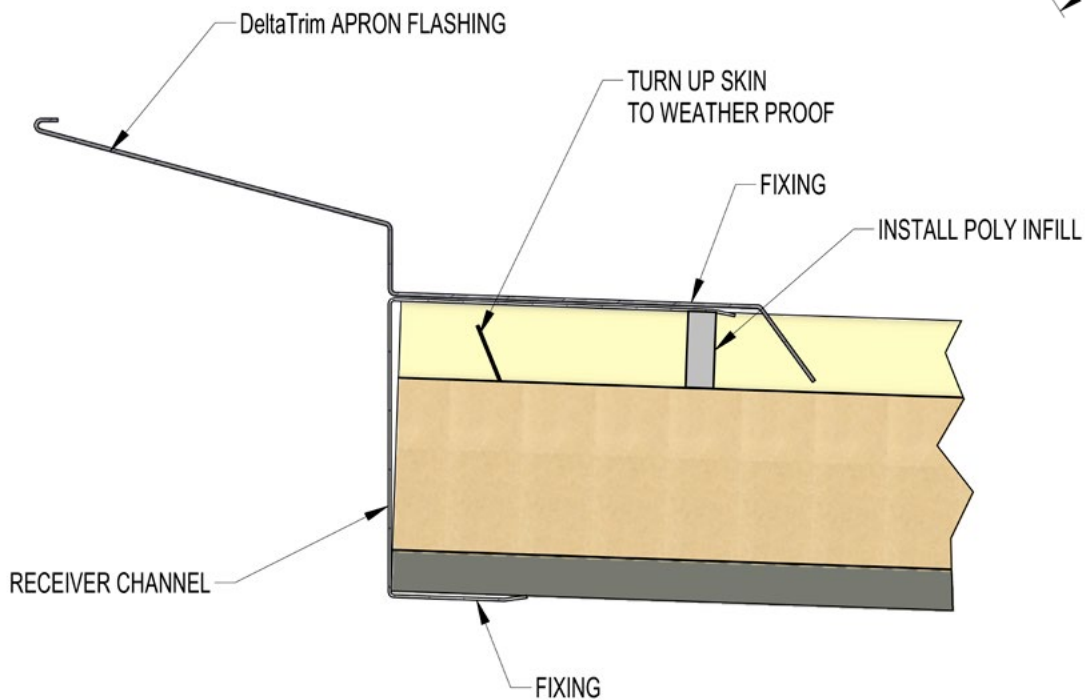
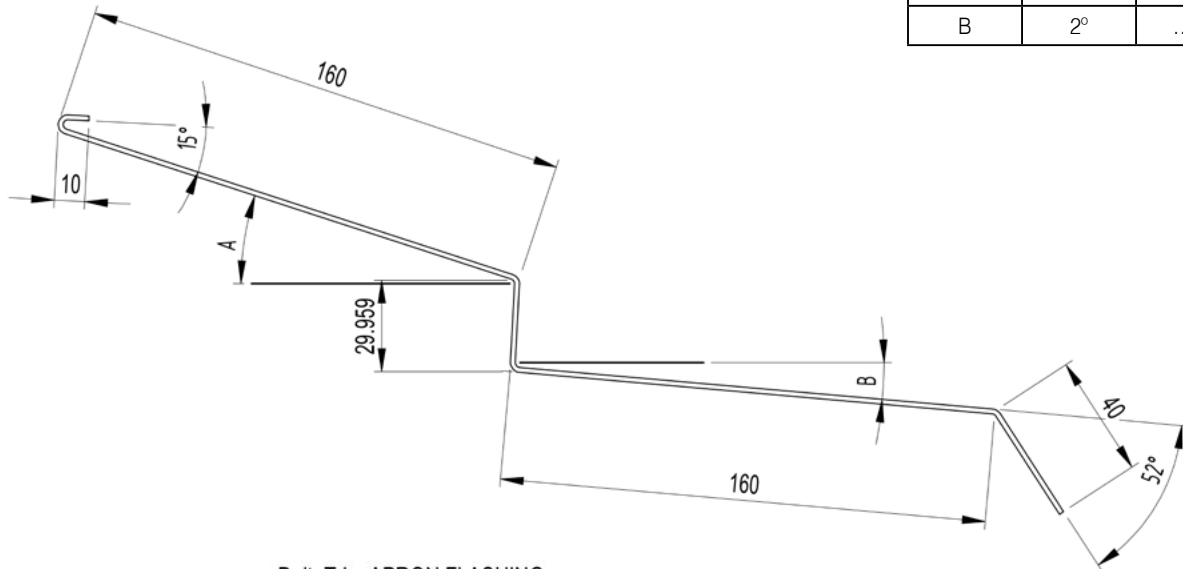
# DeltaTrimCorro Apron Flashing

**MATERIAL: 0.55MM G300**

**NOTE:**

STANDARD ANGLES WILL BE MADE AND CHARGED FOR, UNLESS OTHERWISE STATED

ROOF PITCH FOR THIS ORDER		
ANGLE	STD	REQD
A	15°	.....°
B	2°	.....°



### Apron Flashing Assembly Detail

DESCRIPTION <b>DeltaTrimCorro - APRON FLASHING</b>		DESIGNED BY <b>DP</b>	VERSION DATE <b>05/06/2019</b>
DELTA PANELS RESERVES THE RIGHT AT ANY TIME TO SUPPLY GOODS WITH MINOR MODIFICATIONS FROM ITS DRAWINGS AND FROM ITS SPECIFICATIONS AS IT SEES FIT.			
DRAWING NO. <b>DPC5075 - B</b>	FOLDING TOLERANCE: ± 2.0 U.N.O	REV: <b>A</b>	SHEET <b>1/1</b>
	LENGTH TOLERANCE: ± 15.0-0.0		



# DeltaTrimCorro Apron Flashing - B

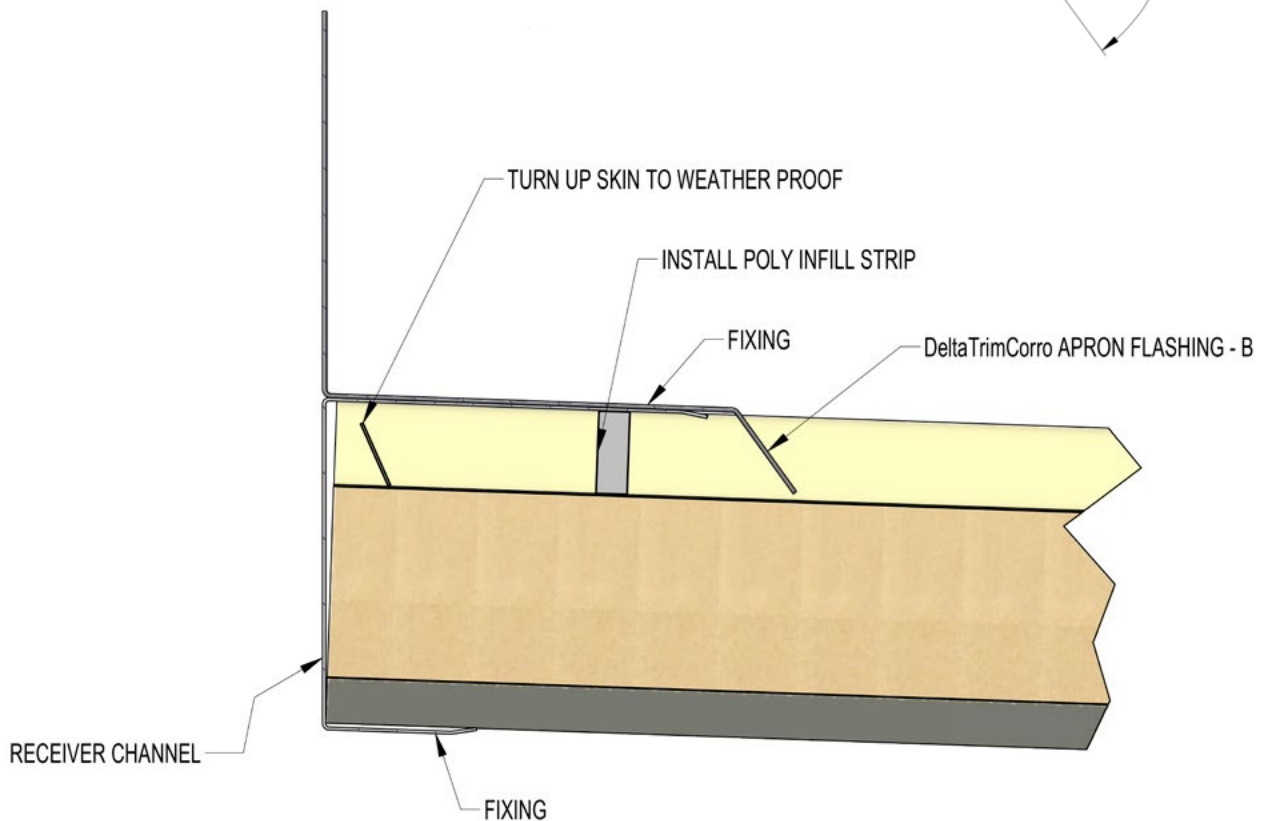
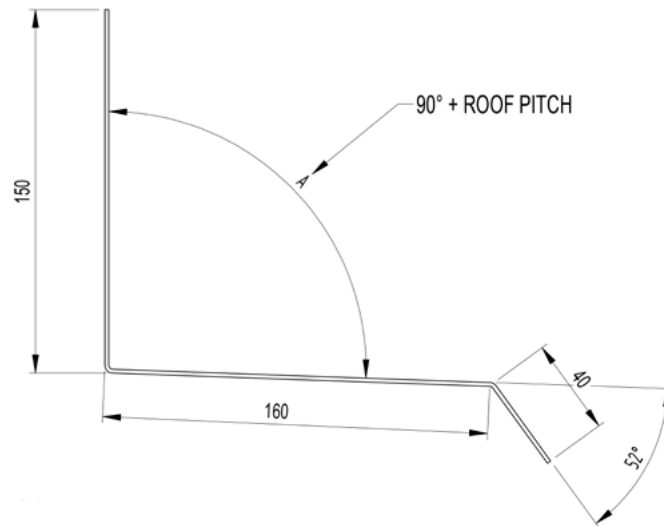
**MATERIAL: 0.55MM G300**

**NOTE:**

STANDARD ANGLES WILL BE MADE AND CHARGED FOR, UNLESS OTHERWISE STATED

**L=NUMBER OF PANELS + 50mm**

ROOF PITCH FOR THIS ORDER		
ANGLE	STD	REQD
A	90°	.....°



### Apron Flashing Assembly Detail

DESCRIPTION <b>DeltaTrimCorro - APRON FLASHING - B</b>		DESIGNED BY <b>DP</b>	VERSION DATE <b>05/06/2019</b>
DELTA PANELS RESERVES THE RIGHT AT ANY TIME TO SUPPLY GOODS WITH MINOR MODIFICATIONS FROM ITS DRAWINGS AND FROM ITS SPECIFICATIONS AS IT SEES FIT.			
DRAWING NO. <b>DPC5078 - C</b>	FOLDING TOLERANCE: ± 2.0 U.N.O	REV: <b>A</b>	SHEET <b>1/1</b>
	LENGTH TOLERANCE: ± 15.0-0.0		

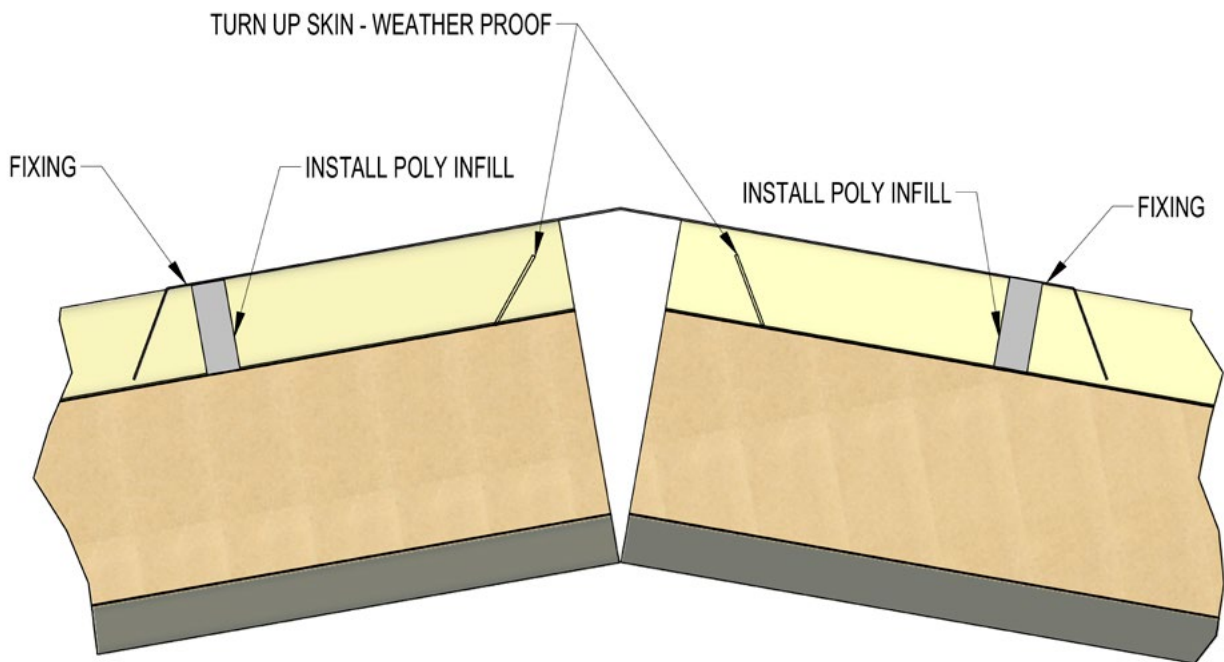
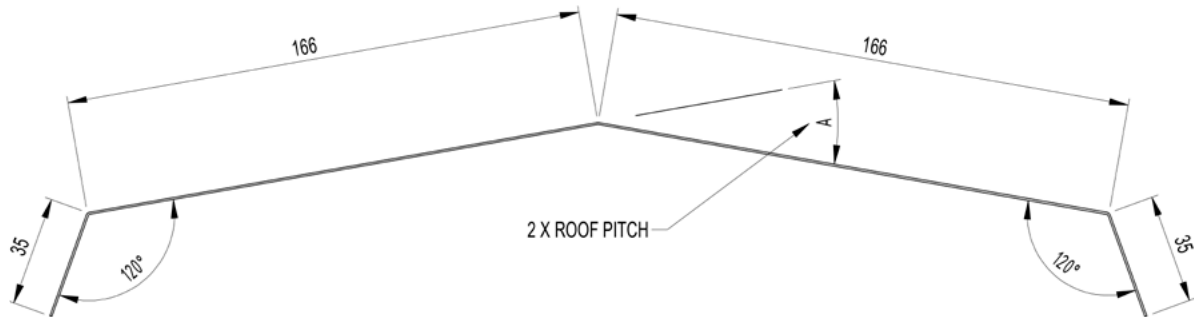
# DeltaTrimCorro Ridge Cap - Trim

**MATERIAL: 0.55MM G300**

**NOTE:**

STANDARD ANGLES WILL BE MADE AND CHARGED FOR, UNLESS OTHERWISE STATED

ROOF PITCH FOR THIS ORDER		
ANGLE	STD	REQD
A	4°	.....°



**Ridge Cap - Trim Assembly Detail**

DESCRIPTION <b>DeltaTrimCorro - RIDGE CAP - TRIM</b>		DESIGNED BY <b>DP</b>	VERSION DATE <b>05/06/2019</b>
DELTA PANELS RESERVES THE RIGHT AT ANY TIME TO SUPPLY GOODS WITH MINOR MODIFICATIONS FROM ITS DRAWINGS AND FROM ITS SPECIFICATIONS AS IT SEES FIT.			
DRAWING NO. <b>DPC5050 - D</b>	FOLDING TOLERANCE: ± 2.0 U.N.O	REV: <b>A</b>	SHEET <b>1/1</b>
	LENGTH TOLERANCE: ± 15.0-0.0		

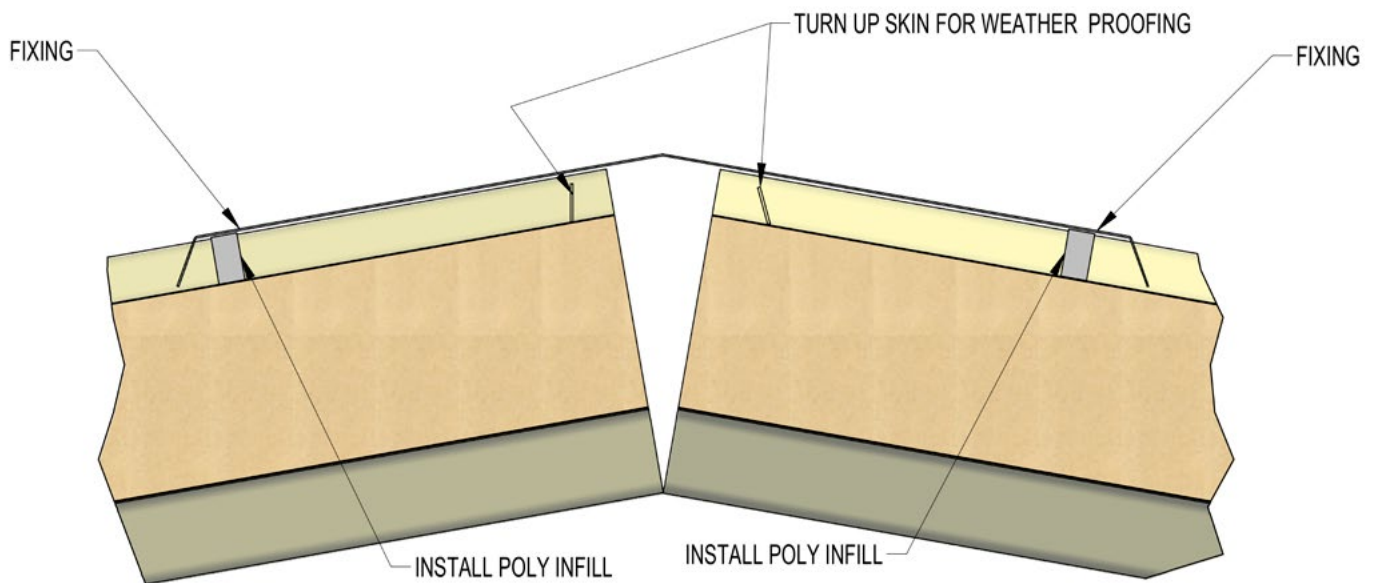
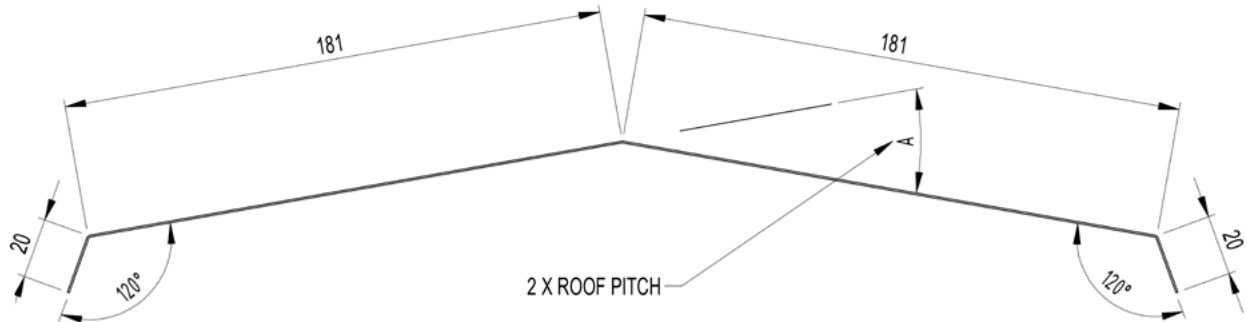
# DeltaTrimCorro Ridge Cap - Corro

**MATERIAL: 0.55MM G300**

**NOTE:**

STANDARD ANGLES WILL BE MADE AND CHARGED FOR, UNLESS OTHERWISE STATED

ROOF PITCH FOR THIS ORDER		
ANGLE	STD	REQD
A	4°	.....°



## Ridge Cap - Corro Assembly Detail

DESCRIPTION <b>DeltaTrimCorro - RIDGE CAP - CORRO</b>		DESIGNED BY <b>DP</b>	VERSION DATE <b>05/06/2019</b>
DELTA PANELS RESERVES THE RIGHT AT ANY TIME TO SUPPLY GOODS WITH MINOR MODIFICATIONS FROM ITS DRAWINGS AND FROM ITS SPECIFICATIONS AS IT SEES FIT.			
DRAWING NO. <b>DPC5050 - D</b>	FOLDING TOLERANCE: ± 2.0 U.N.O	REV: <b>A</b>	SHEET <b>1/1</b>
	LENGTH TOLERANCE: ± 15.0-0.0		

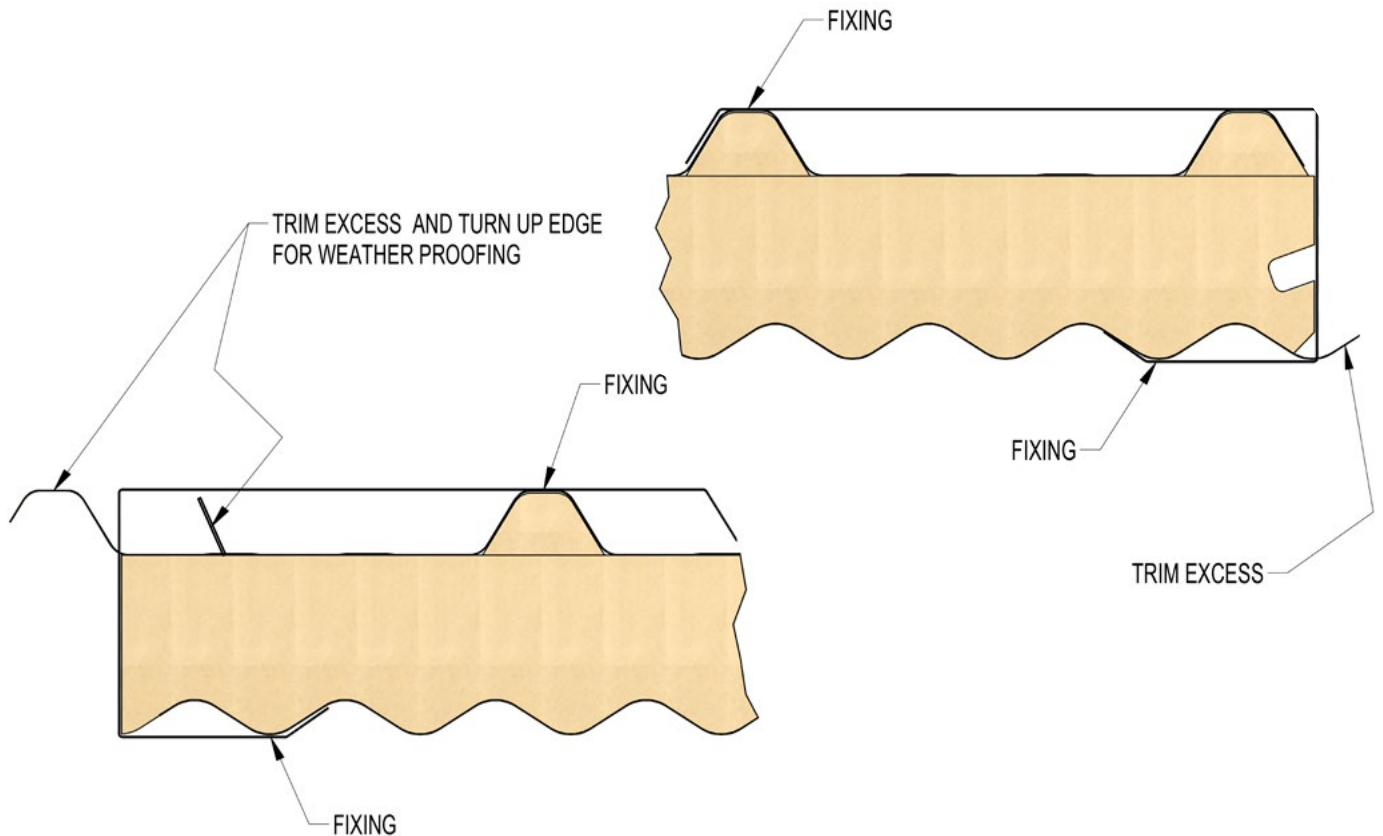
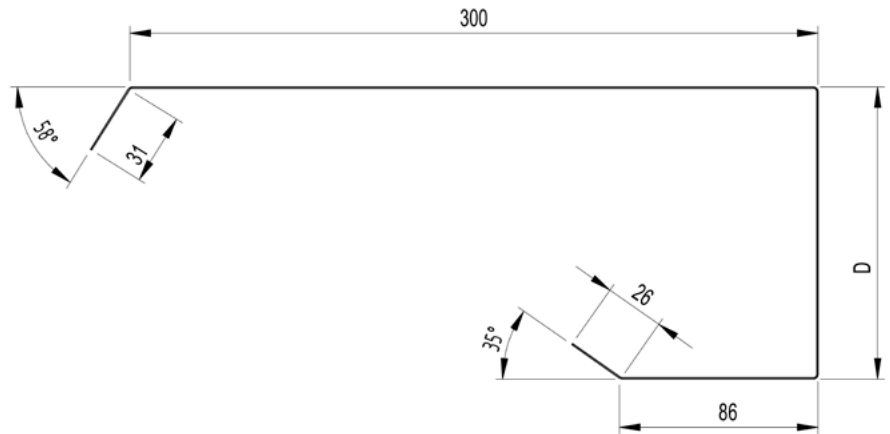
# DeltaTrimCorro Side Barge

**MATERIAL: 0.55MM G300**

**NOTE:**

STANDARD ANGLES WILL BE MADE AND CHARGED FOR, UNLESS OTHERWISE STATED

THICKNESS	D
75mm	127
100mm	152
125mm	177
150mm	202
175mm	227
200mm	252



## Side Barge Assembly Detail

DESCRIPTION <b>DeltaTrimCorro - SIDE BARGE</b>		DESIGNED BY <b>DP</b>	VERSION DATE <b>05/06/2019</b>
DELTA PANELS RESERVES THE RIGHT AT ANY TIME TO SUPPLY GOODS WITH MINOR MODIFICATIONS FROM ITS DRAWINGS AND FROM ITS SPECIFICATIONS AS IT SEES FIT.			
DRAWING NO. <b>DPC5333</b>	FOLDING TOLERANCE: ± 2.0 U.N.O	REV: <b>A</b>	SHEET <b>1/1</b>
	LENGTH TOLERANCE: ± 15.0-0.0		

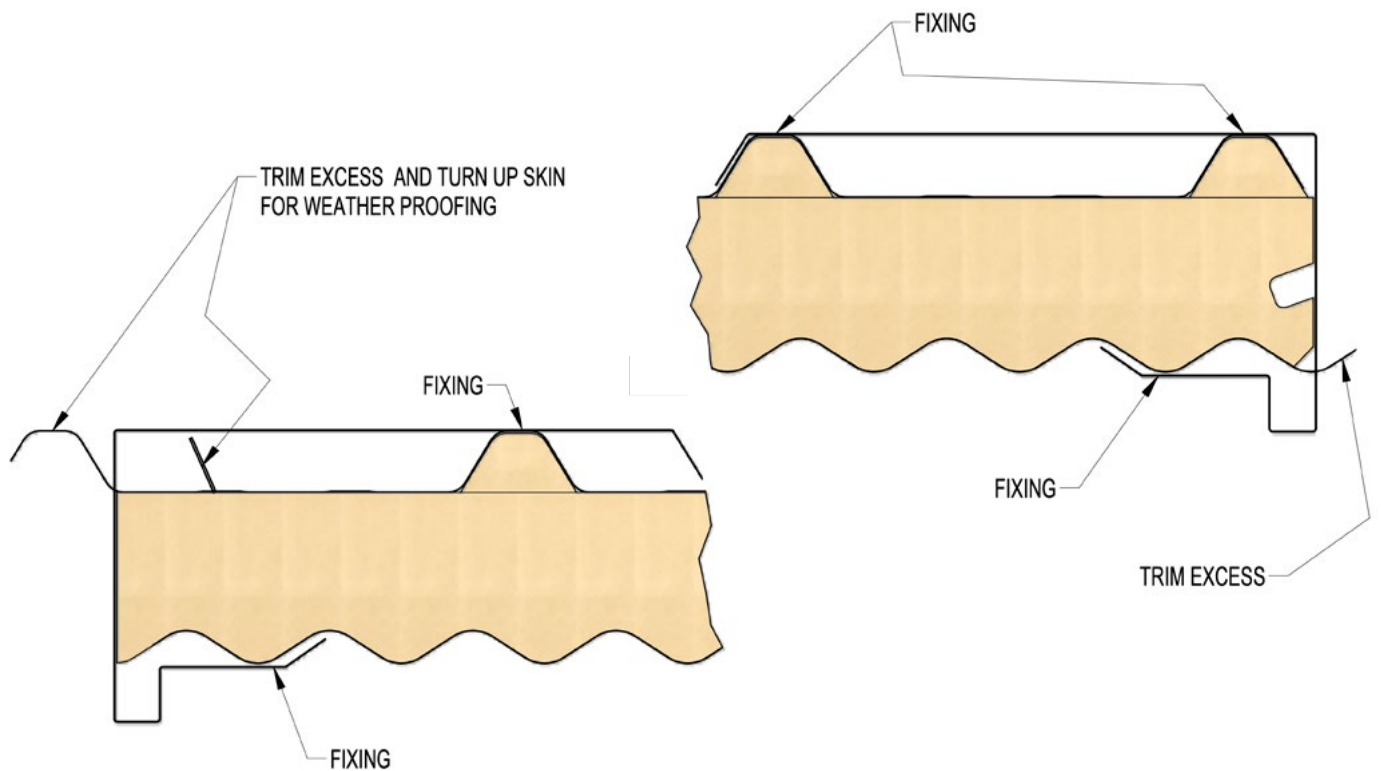
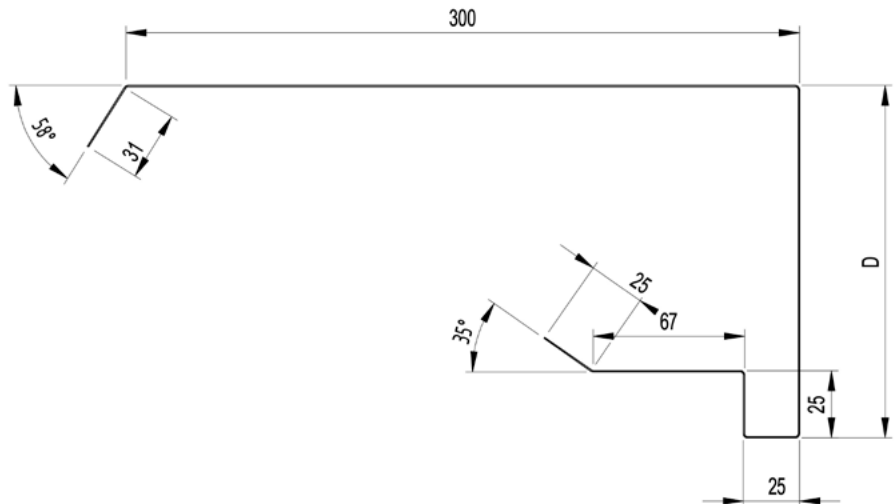
# DeltaTrimCorro Side Barge with Drip Guard

**MATERIAL: 0.55MM G300**

**NOTE:**

STANDARD ANGLES WILL BE MADE AND CHARGED FOR, UNLESS OTHERWISE STATED

THICKNESS	D
75mm	152
100mm	177
125mm	202
150mm	227
175mm	252
200mm	277



## Side Barge Assembly Detail

DESCRIPTION <b>DeltaTrimCorro - SIDE BARGE WITH DRIP GUARD</b>		DESIGNED BY <b>DP</b>	VERSION DATE <b>08/03/2023</b>
DELTA PANELS RESERVES THE RIGHT AT ANY TIME TO SUPPLY GOODS WITH MINOR MODIFICATIONS FROM ITS DRAWINGS AND FROM ITS SPECIFICATIONS AS IT SEES FIT.			
DRAWING NO. <b>DPC5322</b>	FOLDING TOLERANCE: ± 2.0 U.N.O LENGTH TOLERANCE: ± 15.0-0.0	REV: <b>B</b>	SHEET <b>1/1</b>

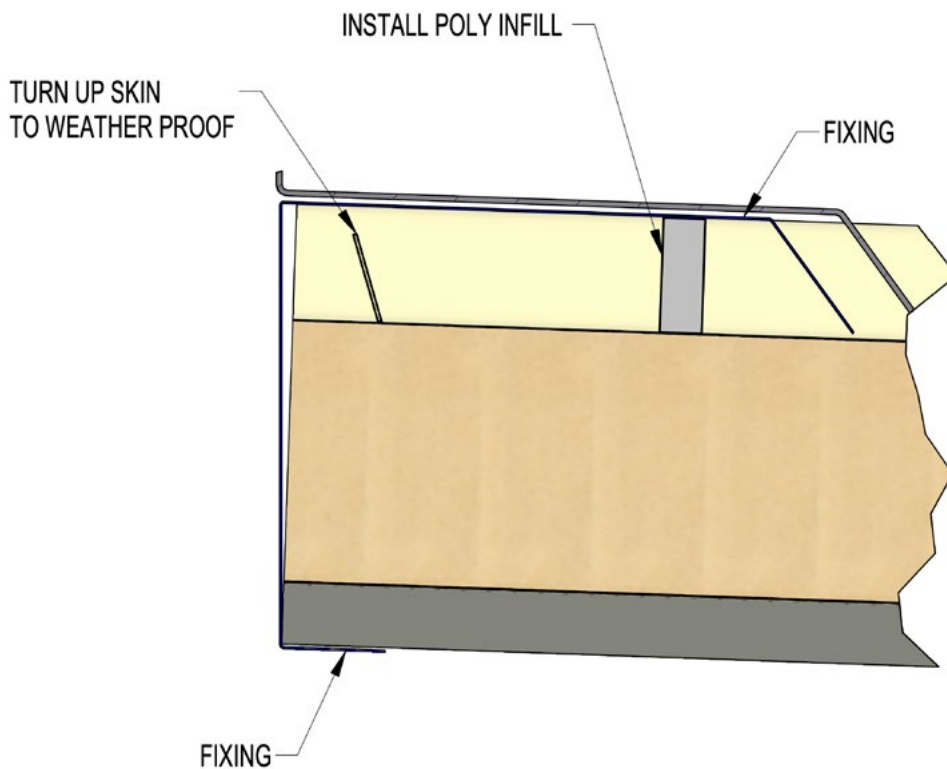
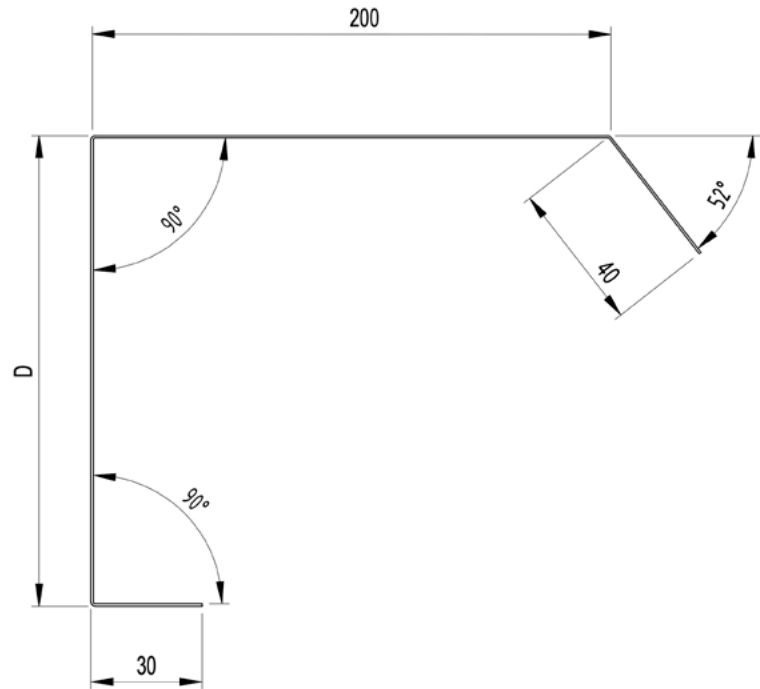
# DeltaTrimCorro Rear Barge Capping

**MATERIAL: 0.55MM G300**

**NOTE:**

STANDARD ANGLES WILL BE MADE AND CHARGED FOR, UNLESS OTHERWISE STATED

THICKNESS	D
75mm	127
100mm	152
125mm	177
150mm	202
175mm	227
200mm	252



**Rear Barge Capping Assembly Detail**

DESCRIPTION <b>DeltaTrimCorro - REAR BARGE CAPPING</b>		DESIGNED BY <b>DP</b>	VERSION DATE <b>08/03/2023</b>
DELTA PANELS RESERVES THE RIGHT AT ANY TIME TO SUPPLY GOODS WITH MINOR MODIFICATIONS FROM ITS DRAWINGS AND FROM ITS SPECIFICATIONS AS IT SEES FIT.			
DRAWING NO. <b>DPC5332</b>	FOLDING TOLERANCE: ± 2.0 U.N.O	REV: <b>B</b>	SHEET <b>1/1</b>
	LENGTH TOLERANCE: ± 15.0-0.0		



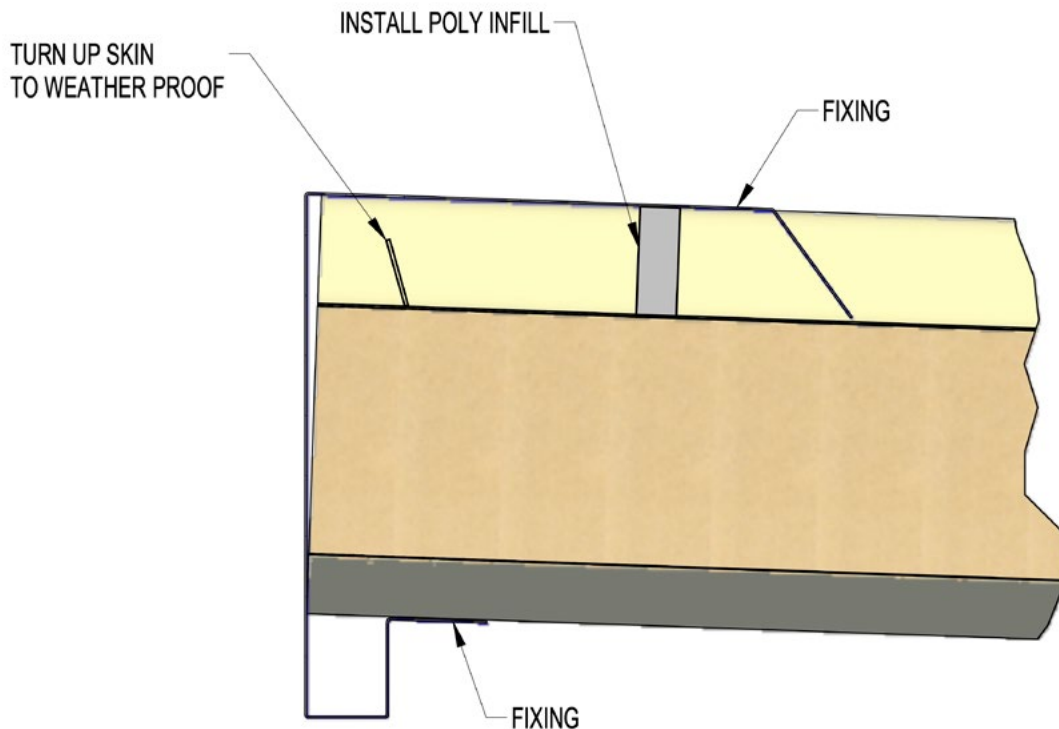
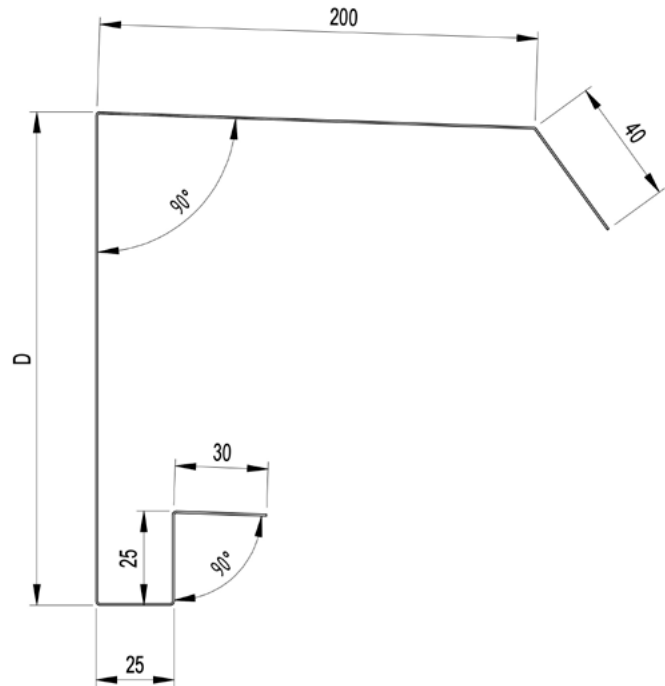
# DeltaTrimCorro Rear Barge Capping with Drip Guard

**MATERIAL: 0.55MM G300**

**NOTE:**

STANDARD ANGLES WILL BE MADE AND CHARGED FOR, UNLESS OTHERWISE STATED

THICKNESS	D
75mm	152
100mm	177
125mm	202
150mm	227
175mm	252
200mm	277



**Rear Barge Capping Assembly Detail**

DESCRIPTION <b>DeltaTrimCorro - REAR BARGE CAPPING WITH DRIP GUARD</b>	DESIGNED BY <b>DP</b>	VERSION DATE <b>14/04/2023</b>	
DELTA PANELS RESERVES THE RIGHT AT ANY TIME TO SUPPLY GOODS WITH MINOR MODIFICATIONS FROM ITS DRAWINGS AND FROM ITS SPECIFICATIONS AS IT SEES FIT.			
DRAWING NO. <b>DPC5320</b>	FOLDING TOLERANCE: ± 2.0 U.N.O	REV: <b>B</b>	SHEET <b>1/1</b>
	LENGTH TOLERANCE: ± 15.0-0.0		



# DeltaTrimCorro Fascia Flashing

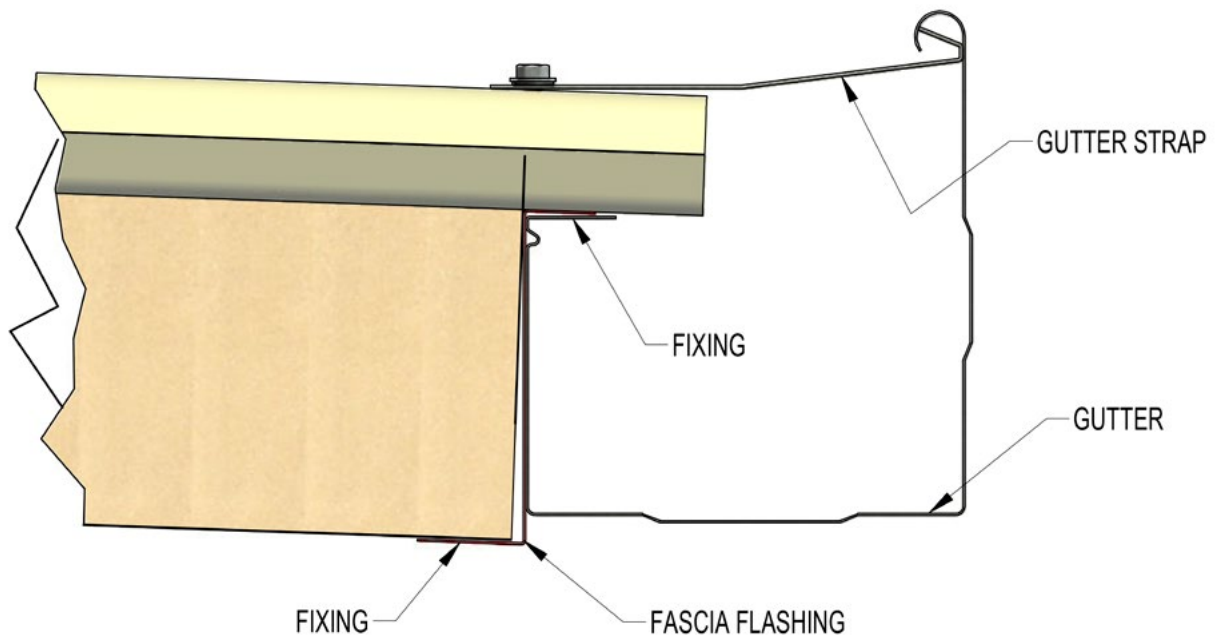
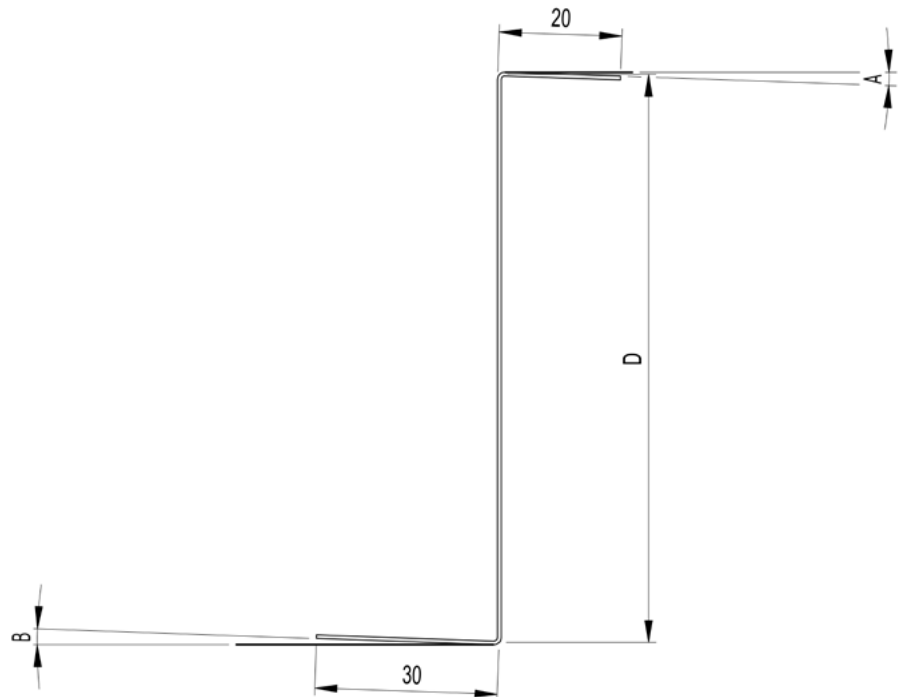
**MATERIAL: 0.55MM G300**

**NOTE:**

STANDARD ANGLES WILL BE MADE AND CHARGED FOR, UNLESS OTHERWISE STATED

THICKNESS	D
75mm	92
100mm	117
125mm	142
150mm	167
175mm	192
200mm	217

ROOF PITCH FOR THIS ORDER		
ANGLE	STD	REQD
A	3°	.....°



### Fascia Flashing Assembly Detail

DESCRIPTION <b>DeltaTrimCorro - FASCIA FLASHING</b>		DESIGNED BY <b>DP</b>	VERSION DATE <b>05/06/2019</b>
DELTA PANELS RESERVES THE RIGHT AT ANY TIME TO SUPPLY GOODS WITH MINOR MODIFICATIONS FROM ITS DRAWINGS AND FROM ITS SPECIFICATIONS AS IT SEES FIT.			
DRAWING NO. <b>DPC5331</b>	FOLDING TOLERANCE: ± 2.0 U.N.O	REV: <b>A</b>	SHEET <b>1/1</b>
	LENGTH TOLERANCE: ± 15.0-0.0		

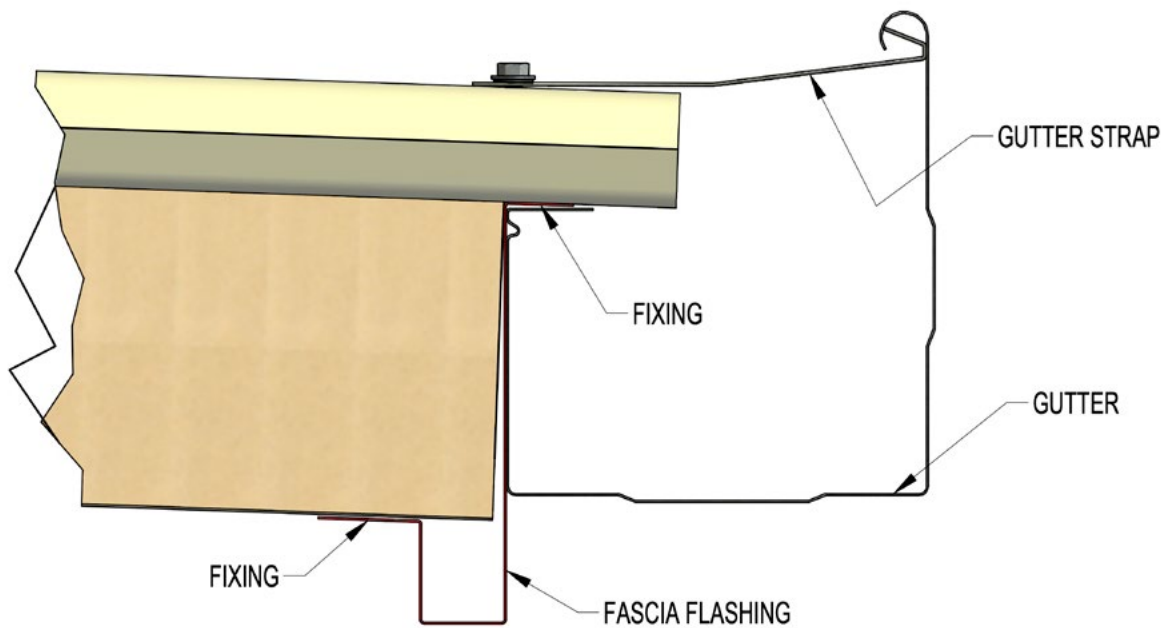
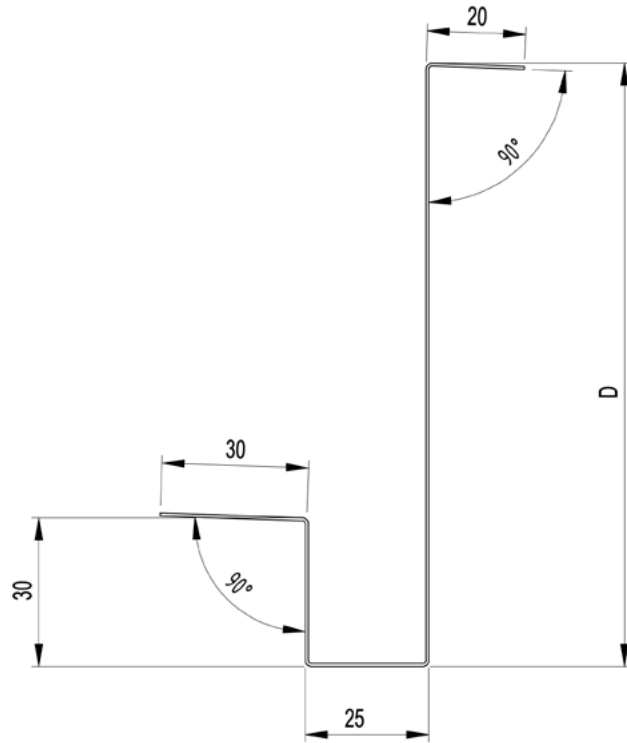
# DeltaTrimCorro Fascia Flashing with Drip Guard

**MATERIAL: 0.55MM G300**

**NOTE:**

STANDARD ANGLES WILL BE MADE AND CHARGED FOR, UNLESS OTHERWISE STATED

THICKNESS	D
75mm	123
100mm	148
125mm	173
150mm	198
175mm	223
200mm	248



### Fascia Flashing Assembly Detail

DESCRIPTION <b>DeltaTrimCorro - FASCIA FLASHING WITH DRIP GUARD</b>		DESIGNED BY <b>DP</b>	VERSION DATE <b>14/04/2023</b>
DELTA PANELS RESERVES THE RIGHT AT ANY TIME TO SUPPLY GOODS WITH MINOR MODIFICATIONS FROM ITS DRAWINGS AND FROM ITS SPECIFICATIONS AS IT SEES FIT.			
DRAWING NO. <b>DPC5321</b>	FOLDING TOLERANCE: ± 2.0 U.N.O	REV: <b>B</b>	SHEET <b>1/1</b>
	LENGTH TOLERANCE: ± 15.0-0.0		





Delta Panels™ Pty Ltd is committed to an ongoing programme of product research and development and reserves the right to update and amend information without prior notice. Reasonable care has been taken to ensure that all published information is correct and accurately reflects the properties of our products and their design applications at the time of publication. However these are a general guide only, it is the customers responsibility to ensure that all products and their stated applications are fit for purpose and complies with all relevant statutory requirements. To ensure that you keep abreast of all updates in our product range, all current reference material are available on our web page for downloading.

All information contained within this document is subject to Copyright and may not be copied without the express permission of Delta Panels™ Pty Ltd.

Delta Panels™, DeltaSpan™, DeltaTrim™, DeltaOrb™, DeltaCorroCorro™, DeltaTrimTrim™, DeltaTrimCorro™, DeltaLowProfile™, DeltaPanelLight™ & DeltaDualCore™ are registered trademarks of Delta Panels™ Pty Ltd.