

POST KITS & EXTENDER POSTS



Post Kits

AUSTRALIAN MADE FOR AN AUSTRALIAN LIFESTYLE

Phone: +61 7 3271 2170

Email: info@deltapanel.com

Website: www.deltapanel.com

Head Office: 731 Boundary Road, Richlands, Qld 4077

Sydney Depot: 11 The Old Northern Road, Narellan, NSW 2567

ABN: 11 147 861 292

Version Date: 2024-04-08



SCI QUAL
INTERNATIONAL



SCI QUAL
INTERNATIONAL



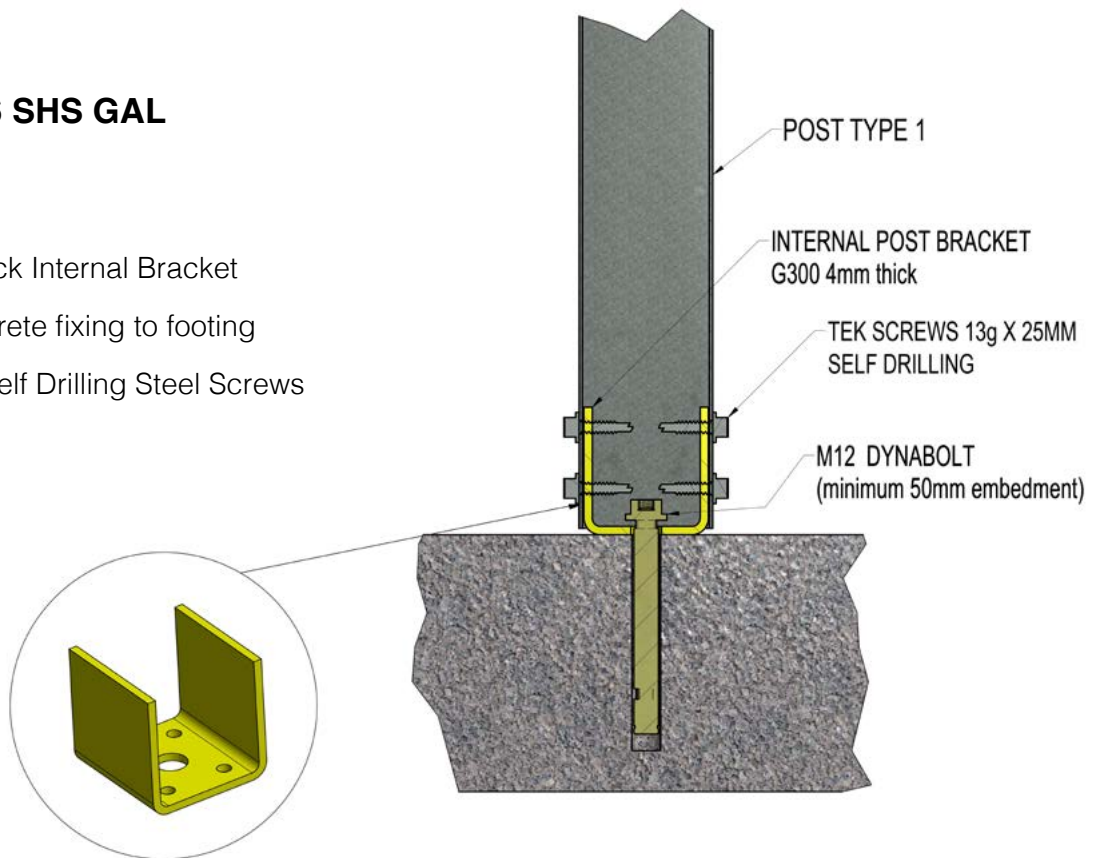
SCI QUAL
INTERNATIONAL

TYPE 1A POST KIT

Type 1 - 65 x 1.6 SHS GAL

Base Plate

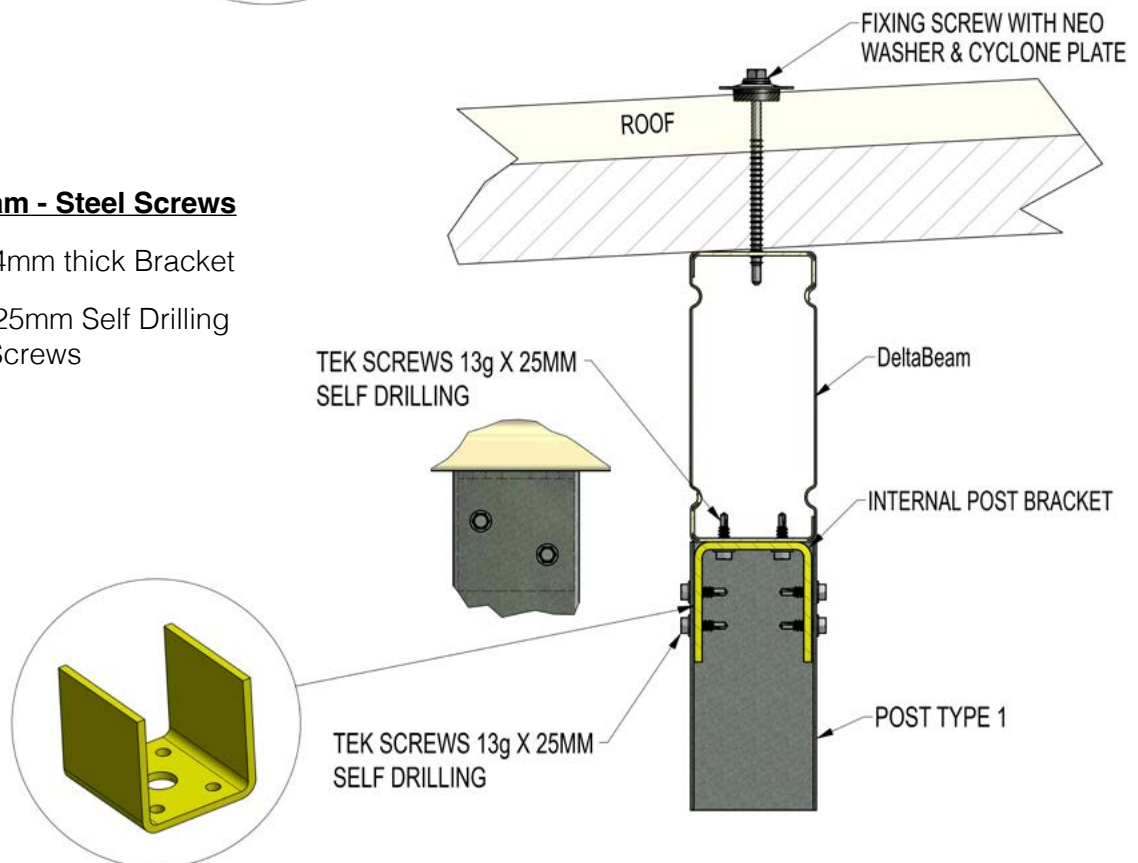
- 1 x G300 4mm thick Internal Bracket
- 1 x M12 Gal Concrete fixing to footing
- 4 x 13g x 25mm Self Drilling Steel Screws



Type 1A -

Post to Beam - Steel Screws

- 1 x G300 4mm thick Bracket
- 6 x 13g x 25mm Self Drilling Steel Screws

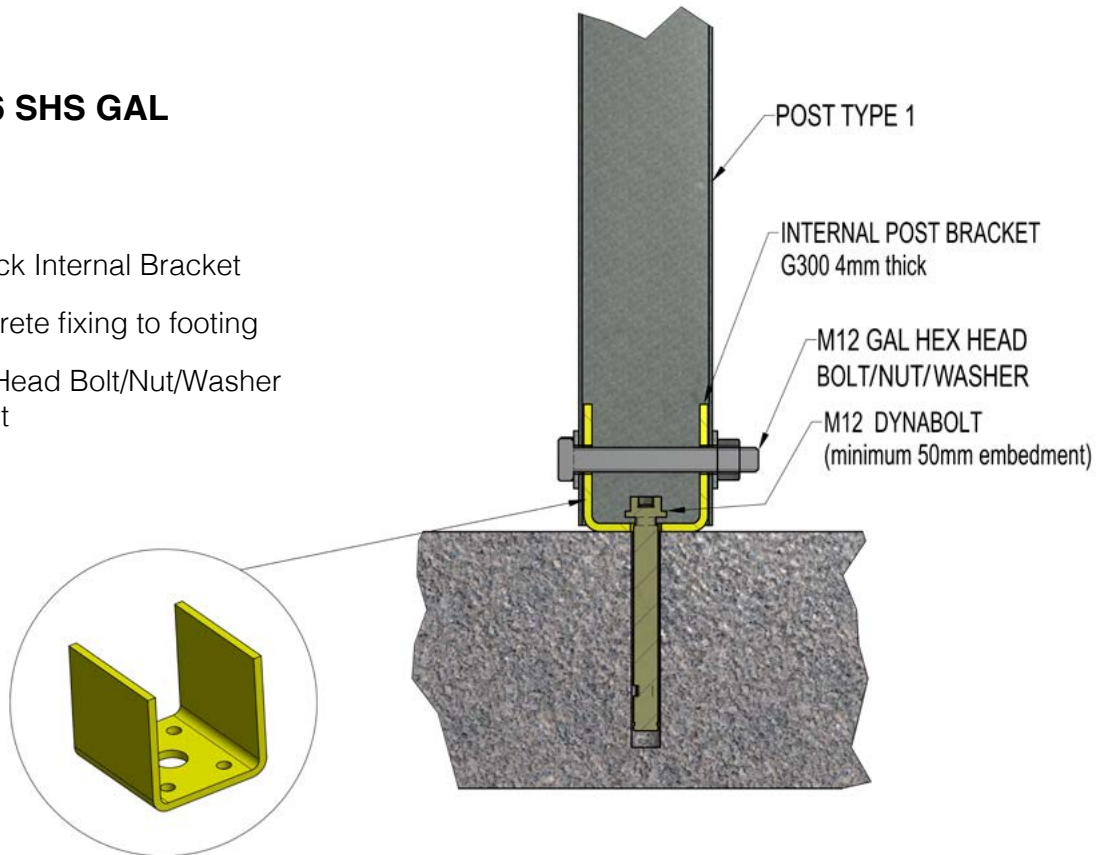


TYPE 1B POST KIT

Type 1 - 65 x 1.6 SHS GAL

Base Plate

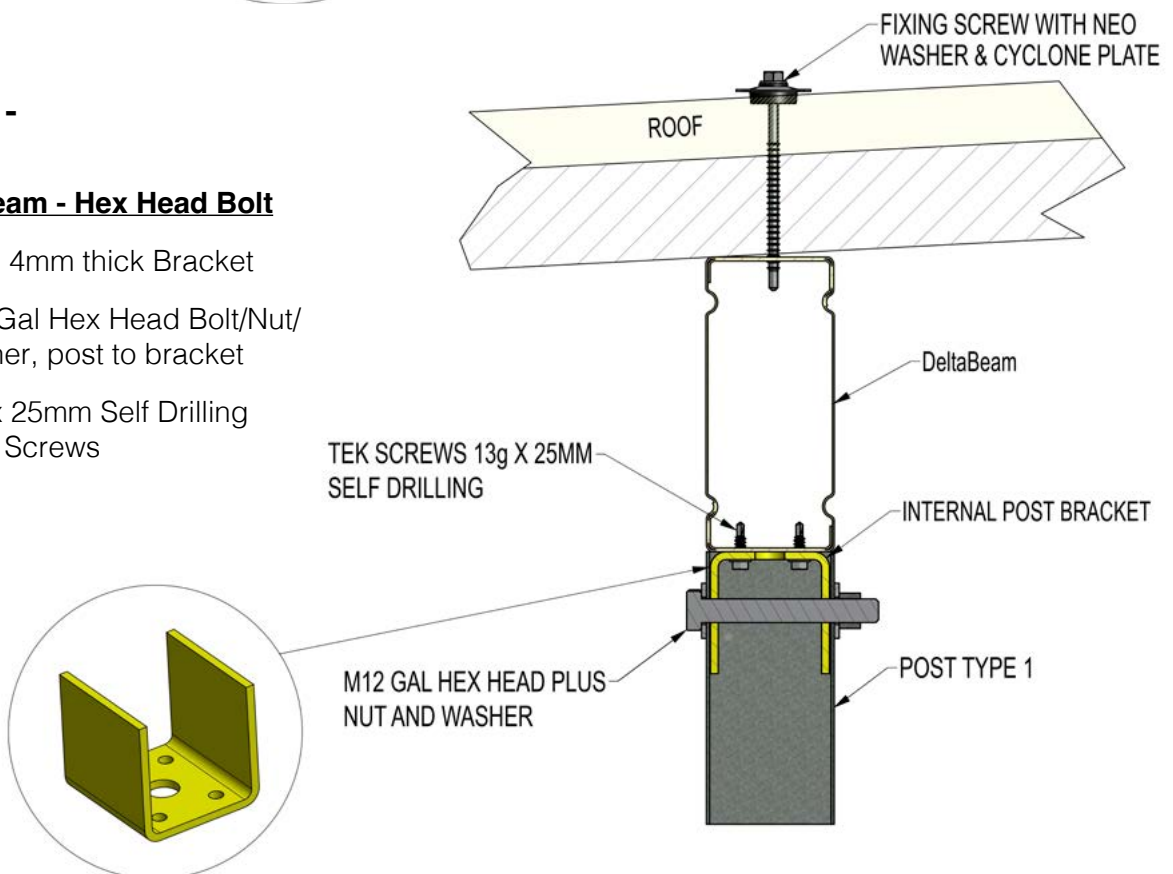
- 1 x G300 4mm thick Internal Bracket
- 1 x M12 Gal Concrete fixing to footing
- 1 x M12 Gal Hex Head Bolt/Nut/Washer post to bracket



Type 1B -

Post to Beam - Hex Head Bolt

- 1 x G300 4mm thick Bracket
- 1 x M12 Gal Hex Head Bolt/Nut/Washer, post to bracket
- 2 x 13g x 25mm Self Drilling Steel Screws

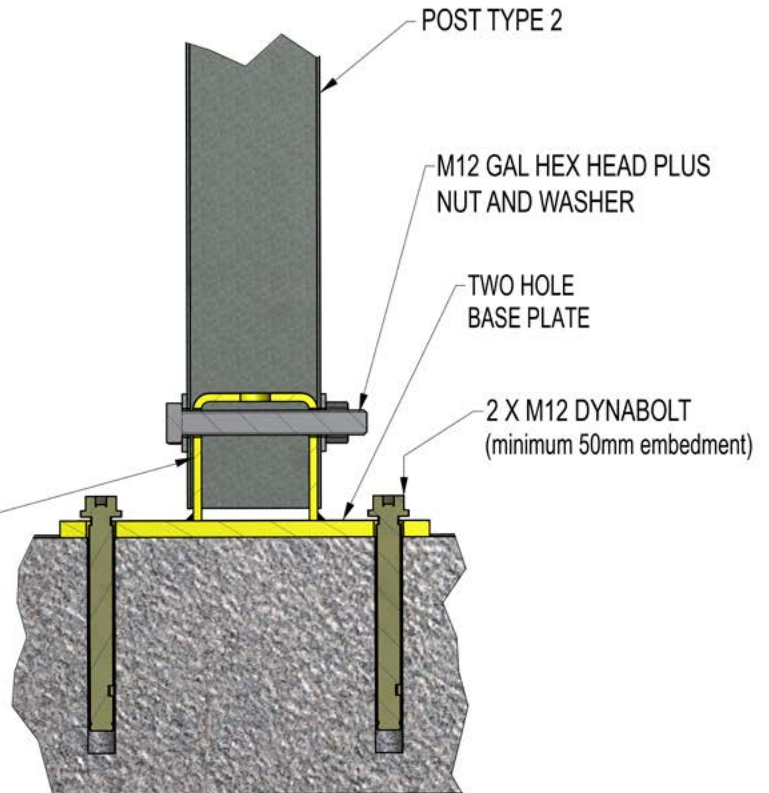
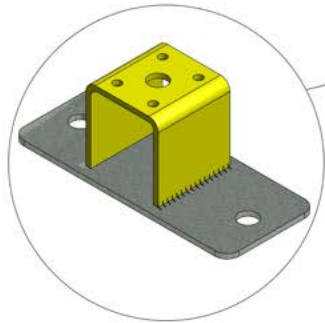


TYPE 2A POST KIT EXTERNAL BASE PLATE

Type 2A - 65 x 1.6 SHS GAL

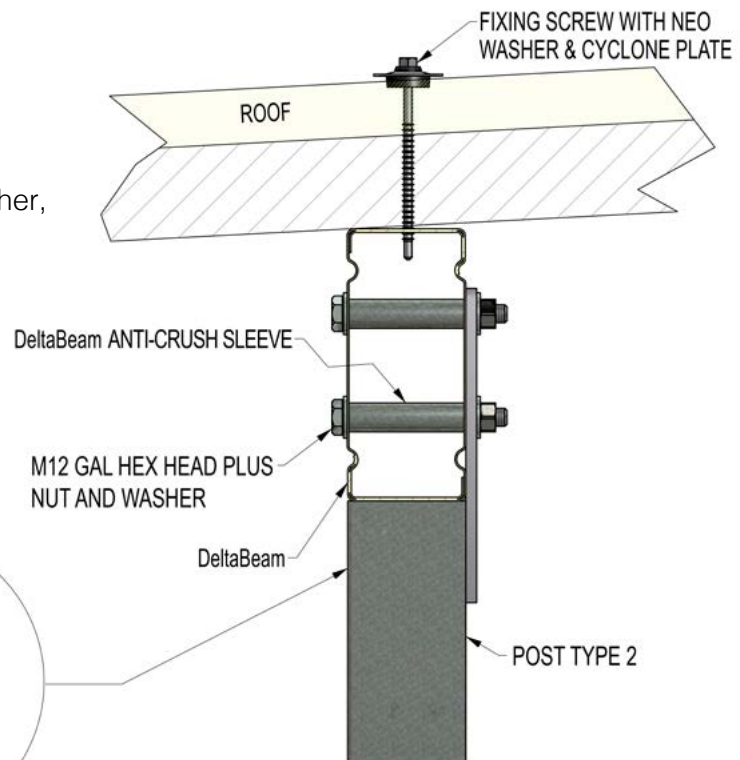
Base Plate

- 1 x G300 4mm thick Bracket welded to a 4mm CFW base plate
- 1 x M12 Gal Hex Head Bolt/Nut/Washer, post to bracket
- 2 x M12 Gal Concrete fixing to footing



Post to Beam

- 2 x M12 Gal Hex Head Bolt/Nut/Washer, beam to post
- 2 x Anti-crush sleeve

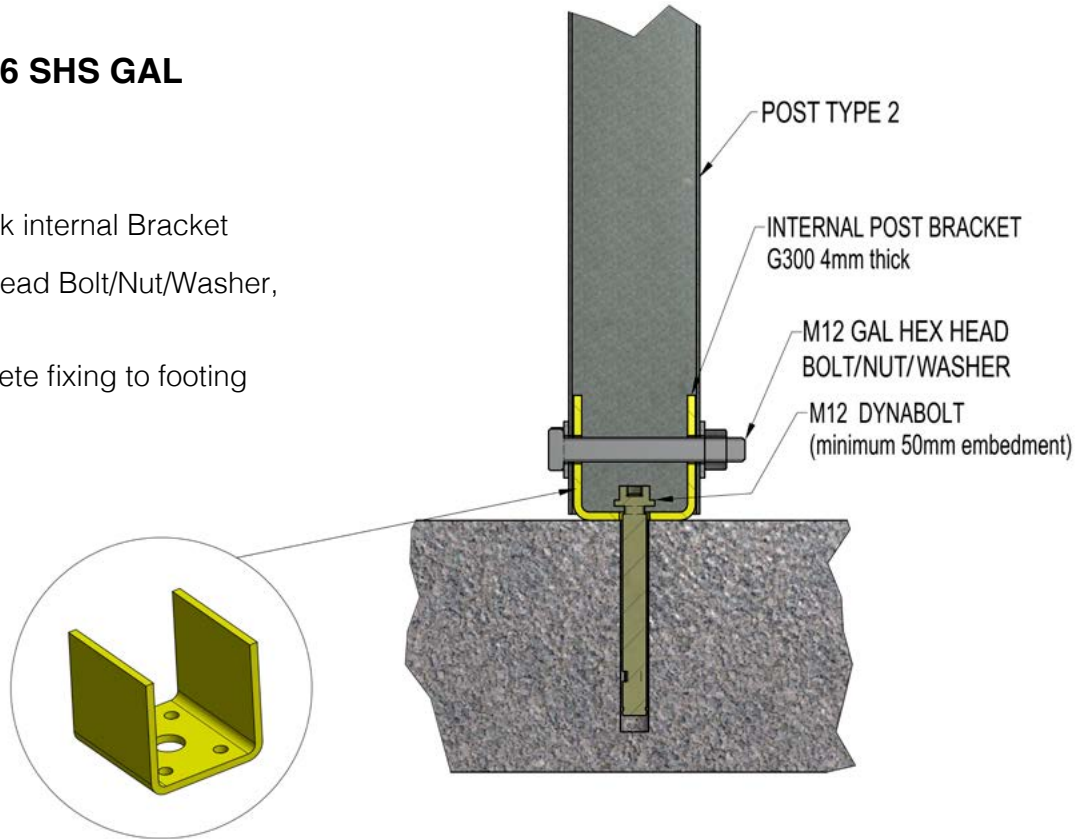


TYPE 2B POST KIT INTERNAL POST BRACKET

Type 2B - 65 x 1.6 SHS GAL

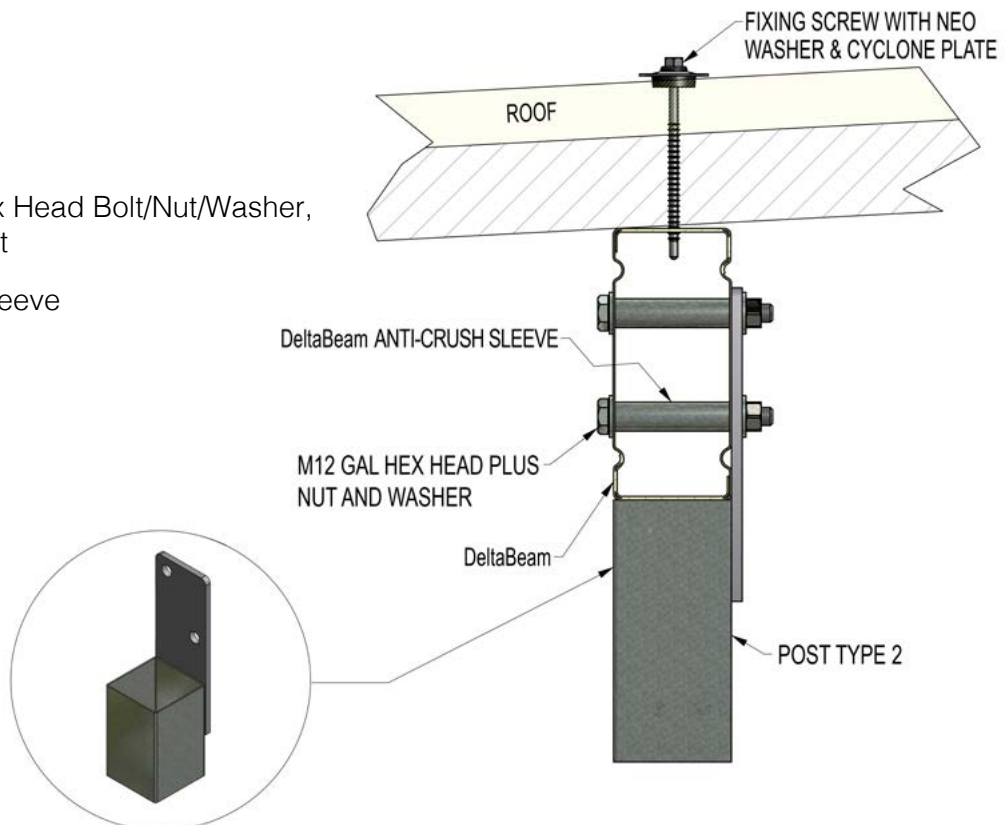
Base Plate

- 1 x G300 4mm thick internal Bracket
- 1 x M12 Gal Hex Head Bolt/Nut/Washer, post to bracket
- 2 x M12 Gal Concrete fixing to footing



Post to Beam

- 2 x M12 Gal Hex Head Bolt/Nut/Washer, beam to post
- 2 x Anti-crush sleeve



TYPE 3 POST KIT

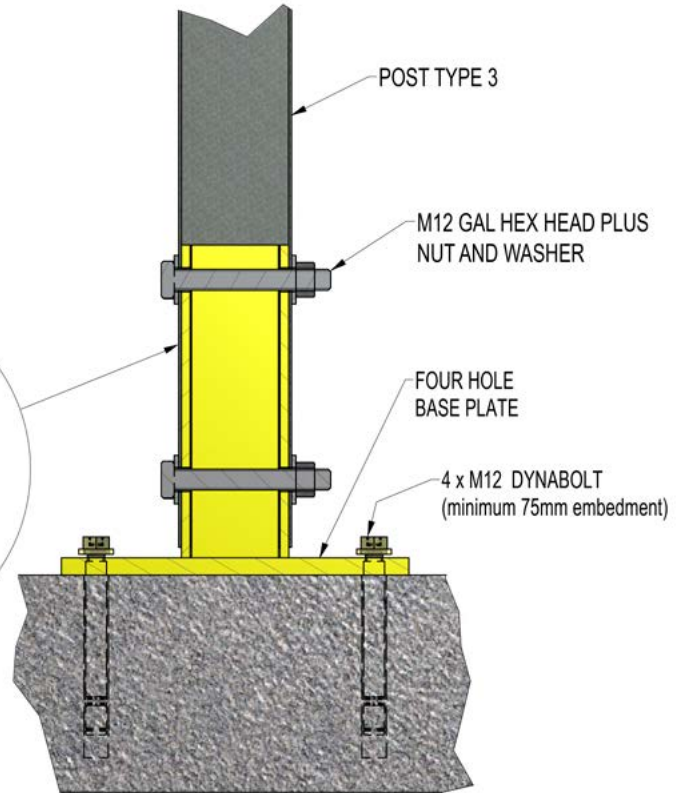
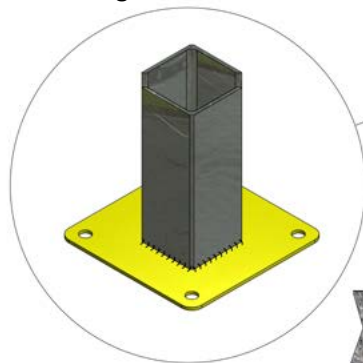
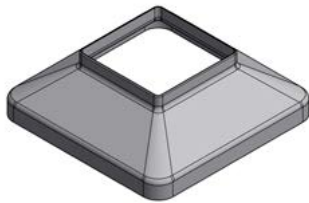
Type 3 - 100 x 2.5 SHS GAL

Base Plate

- 1 x 10mm CFW thick Base Plate with welded G300 4mm thick upright support angles
- 2 x M12 Gal Hex Head Bolt/Nut/Washer, post to bracket
- 4 x M12 Gal Concrete fixing to footing

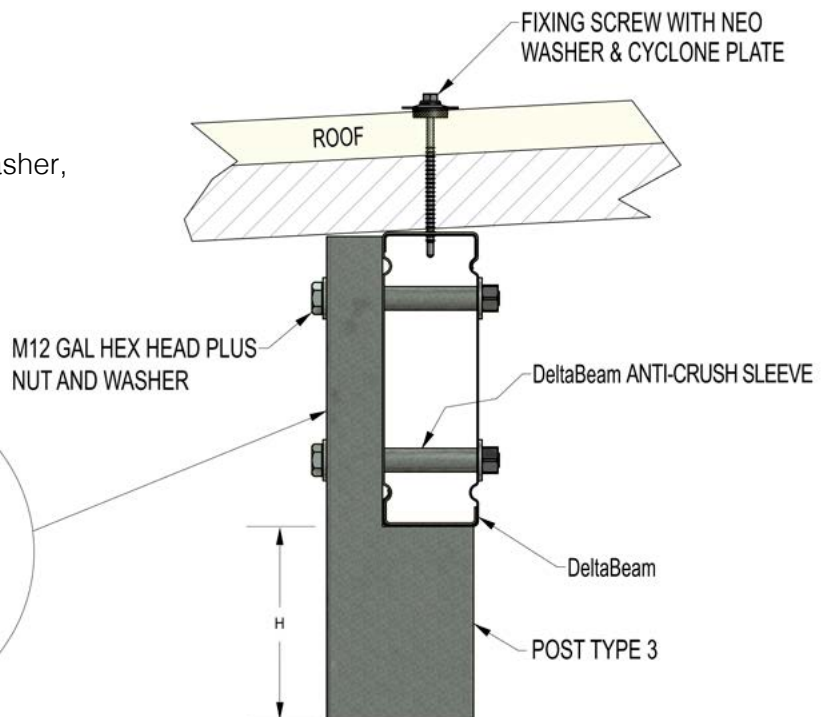
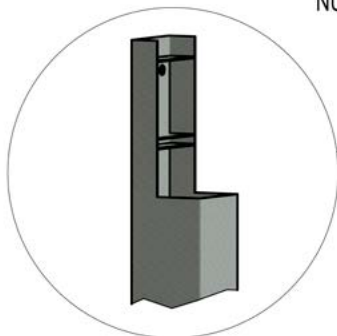
Foot Plate Cover

- Foot plate cover to suit both Type 3 & 4, 100mm posts.
- Die-cast aluminium mould
- Powder Coated Finish



Post to Beam

- 2 x M12 Gal Hex Head Bolt/Nut/Washer, beam to post
- 2 x Anti-crush sleeve

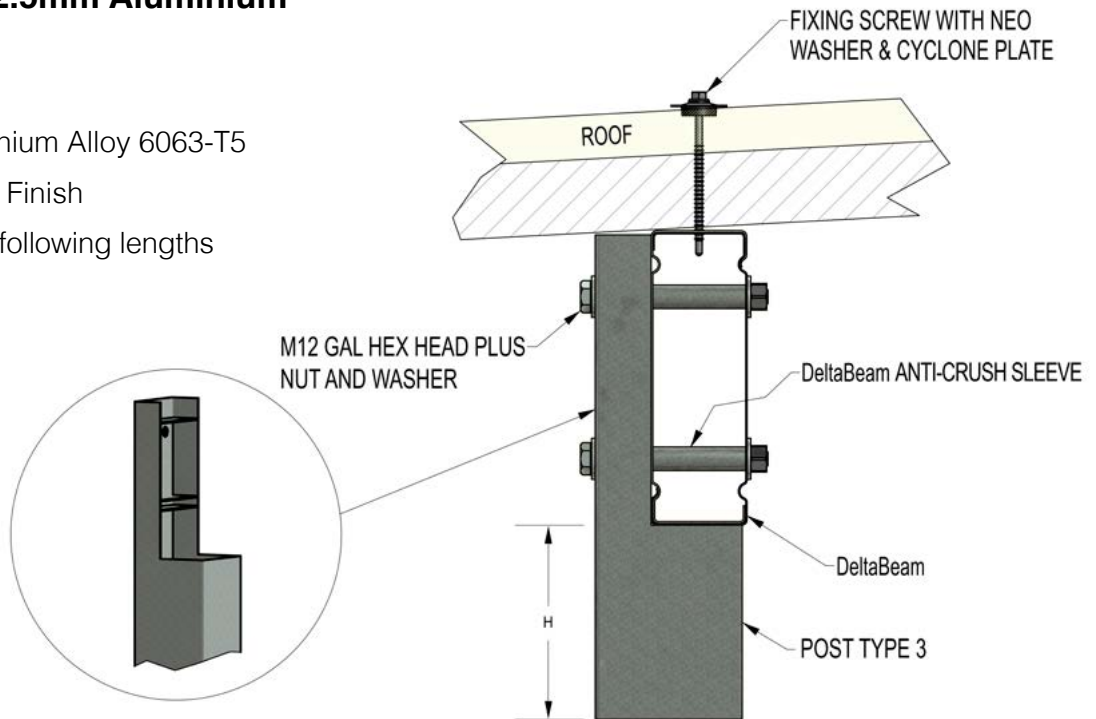


COASTAL RANGE TYPE 4 POST KIT

Type 4 - 100 x 2.5mm Aluminium

Post - Type 4

- Extruded Aluminium Alloy 6063-T5
- Powder Coated Finish
- Available in the following lengths
 - 2400mm
 - 3000mm
 - 4500mm
 - 5500mm



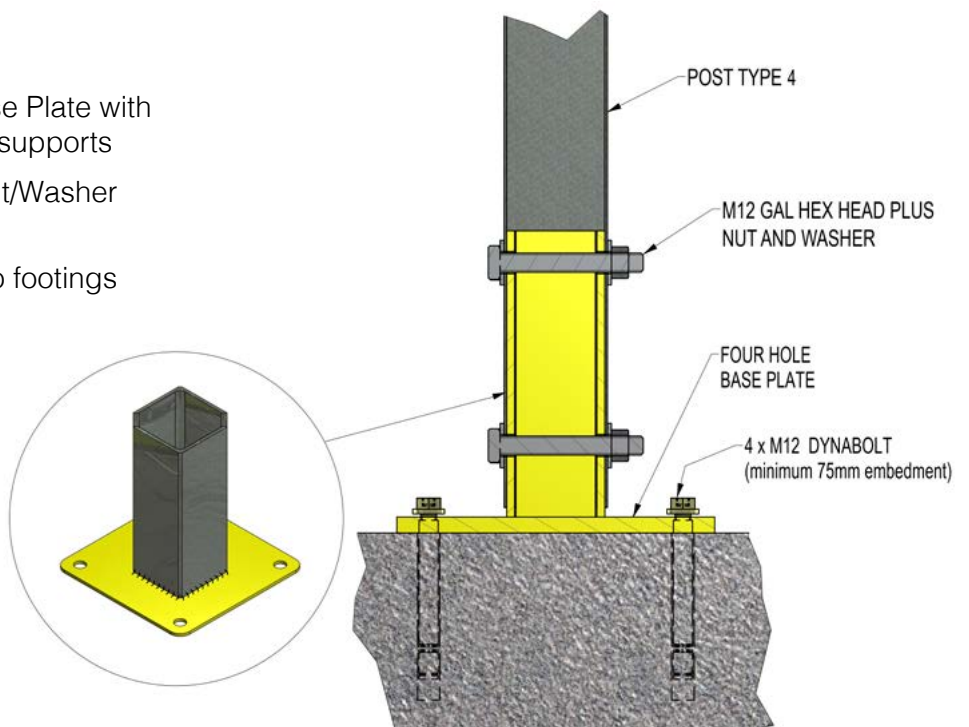
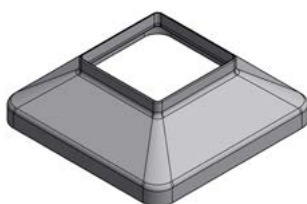
Type 4 - Aluminium Base Plate

Base Plate - Type 4

- 1 x 10mm thick Aluminium Base Plate with welded 4mm thick upright supports
- 2 x M12 Gal Hex Head Bolt/Nut/Washer post to bracket fixings
- 4 x M12 Gal Concrete Fixing to footings

Foot Plate Cover

- Foot plate cover to suit both Type 3 & 4, 100mm posts.
- Die-cast aluminium mould
- Powder Coated Finish



DELTA- EXTENDER ROOF POST KIT

Delta - Extender Post Kit

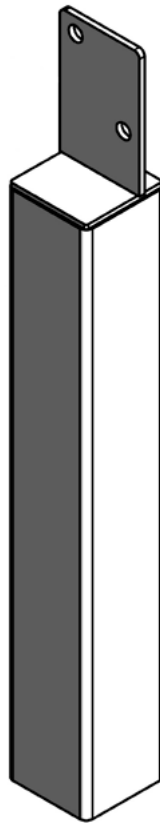
Available in 600mm & 800mm

Consisting of: -

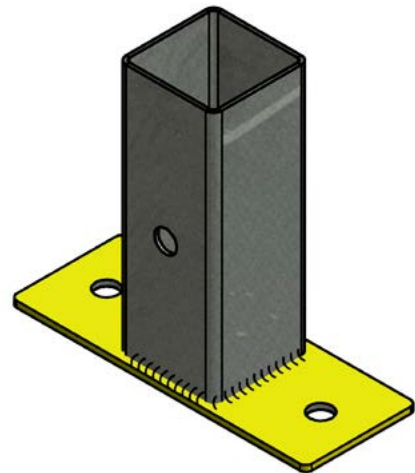
- 1 x 75mm x 75mm x 4mm SHS Galvanised Post
- 1 x Extender Foot Bracket
- 1 x Decktite Rubber Seal



Decktite



Extender Post



Extender Foot Bracket

- 1 x G300 4mm thick
65mm x 65mm x 170mm
welded receiver upright
- 1 x G300 Fixing Plate
4mm thick x 145mm x 75mm
welded to the receiver upright

ROOF EXTENDA BRACKET

MKII Roof Extenda Bracket

Available in S300, S400 & S500 sizes

Consisting of:-

- Top Bracket
- Bottom Bracket
- Locking Hex Nut
- FlashRite Weather Seal

