

MODULE D - BRACKETS, FIXINGS, FLASHINGS & ACCESSORIES MANUAL



Australian Made For An Australian Lifestyle

ENGINEER CERTIFICATION

Brackets, Fixings Flashings & Accessories, that are installed in accordance with these documents, pages 1 to 41 inclusive, issued by Delta Panels Pty Ltd are certified to be structurally adequate and in accordance to relevant Australian Standards but not limited to AS 1179.0, AS 1170.1 AS 4055, AS 4100, AS 4600, AS 1562.1 AS 4040.3, AS/NZS 60589.1 and will comply and meet performance requirements in accordance with NCC 2022.

J S George Meija
BE. B Com CPEng MIE Aust
Registered Professional Engineer Qld 742
Registered Builder Qld 2862
1/5 Golden Crest Place
Bellbowrie Qld 4070

Signed:


George J S Meija

Delta Panels Pty. Ltd.

ABN: 11 147 861 292

Document No. 180509

731 Boundary Road, Richlands, Qld 4077
P: +61 07 3271 2170
E: info@deltapanel.com
W: www.deltapanel.com

Version Date: 08.05.2023



PREFACE

The Delta Panels™ Engineering Manual is divided into five (5) separate modules. Each module covers a different product type and the engineering calculations specifically associated with those products.

MODULE A - AWNINGS, PATIOS & CARPORTS

The module covers roofs which are either attached to an existing building primarily a dwelling or to a separate standalone structure. The engineering calculations encompass both single skin and insulated roofing and is divided into both DeltaSingle™ and DeltaSpan™ span tables.

MODULE B - PRE-ENGINEERED KITS

The Engineering for this series of structures is presented in kit forms covering single and double awnings, patios & carports with various options regarding footing types. This module covers engineering for DeltaSpan™ roofing in both cyclonic and noncyclonic regions. Any other configuration that is not covered by the engineering in this module would require site specific engineering calculations.

MODULE C - GABLES

The Gable Engineering module encompasses two (2) different styles of Gables, namely KingPost and KingPost-Eco. The engineering tables are presented with various options on roof pitch and the associated post, beam and fixing requirements.

MODULE D - BRACKETS, FIXINGS, FLASHINGS & ACCESSORIES

This module lists all of the associated brackets and fixings that have been tested and approved for use. These brackets and fixings are an integral part of the Delta Panels™ Engineering Manual.

MODULE E - RESIDENTIAL ROOFING

The Module E - Residential Roofing module covers the spans and permissible overhangs that Delta Panels insulated roofing products are certified for in both single & multi-span applications. These calculated spans are shown for both non-cyclonic and cyclonic zones.

ENGINEERING NOTES

GENERAL NOTES

The information contained in this Engineering manual relates specifically to products supplied by Delta Panels Pty Ltd™. Any products not approved by Delta Panels Pty Ltd™ will void Engineering Approvals and Warranties expressed or implied.

All assembly, connection and installation procedures must comply with the Delta Panels™ standards as set out in the Engineering & Construction Manual

STEEL COMPONENTS

All steel structural components are in accordance with these Australian Standards:

DeltaSingle™ Steel Skin	AS 1397-2011
Delta Insulated Panel Top Skin	AS 1397-2011
Delta Insulated Panel Bottom Skin	AS 1397-2011
Delta Beams™	AS 1397-2011
Posts (Square Hollow Sections)	AS 1163-2016

FIXINGS

All fixing components are in accordance with these Australian Standards:

Bolts shall be grade 4.6 or better	AS 1110.1-2015
Fixing Screws shall be class 3	AS 3566-2002

ELECTRICAL COMPONENTS

When the DeltaLum™ LED lights are installed in conjunction with the DeltaLum™ Skylight System, please ensure all installation procedures comply with Australian Wiring Rules AS/NZS 3000-2018.

PROTECT YOURSELF! Before installing, please read the DeltaLum™ LED Light & Safety Installation Instructions carefully.

GLOSSARY

DeltaSpan™	A registered name covering the range of Delta Panels™ insulated roofing products, DeltaTrim™, DeltaOrb™, DeltaCorroCorro™, DeltaTrimTrim™ & DeltaTrimCorro™
DeltaSingle™	A registered name for Delta Panels™ single skin roofing sheet
DeltaTrim™	A registered name for Delta Panels™ insulated roof product with a trapezoid formed top skin
DeltaOrb™	A registered name for Delta Panels™ insulated roof product with a corrugated formed top skin
DeltaCorroCorro™	A registered name for Delta Panels™ insulated roof product with a corrugated formed top and bottom skin
DeltaTrimTrim™	A registered name for Delta Panels™ insulated roof product with a trapezoid formed top and bottom skin
DeltaTrimCorro™	A registered name for Delta Panels™ insulated roof product with a corrugated formed top and a trapezoid formed bottom skin
Insulated Roofing	Covers all the products listed in DeltaSpan™
Single Skin Roofing	Referrers to DeltaSingle™
EPS-FR	Expanded Polystyrene with a fire retardant additive, used as an insulating core in insulated roofing
PIR	Polyisocyanurate core which has high fire ratings used in insulated roofing
TPC	Thermal Phenolic Composite core which has high fire ratings used in insulated roofing
MW	Mineral Wool is a noncombustible core with very high fire ratings used in insulated roofing
Single Span	The distance between two fixing supports
Multi Span	A continuous length that spans over three (3) or more fixing supports
Roof Span	Being the total span of the roof area with any overhang included
DeltaCool™	A registered trade name covering the range of Delta Panels™ insulated walling products.

GLOSSARY

DeltaSecretFix™	A registered trade name covering Delta Panels™ discrete fixing system used for wall panels
DeltaLum™	A registered trade name covering Delta Panels™ patented skylight and LED lighting system
DeltaPanel Light™	A registered trade name covering Delta Panels™ LED light system that is fixed to the underneath of the ceiling panel
DeltaLowProfile™ Light	A registered trade name covering Delta Panels™ low profile recessed LED light
MushRoom Head Bolt	A fixing system used on panels when attaching to the building's framework
Overhang	The length that the roof sheeting overhangs the last fixing support, forming a cantilevered portion
Cp,n	Net pressure coefficient acting normal to the surface for canopies, freestanding roofs, walls, and the like (as defined in AS/NZS 1170.2:2021)
Roof Slope	The angle of the roof from its peak to its lowest point
Cyclonic Region	Refer to Australian Standards AS/NZS 1170.2:2021 and AS 4055:2021
NonTrafficable	Not designed for direct foot traffic and requires a temporary walkway for maintenance access.
NonCyclonic Region	Refer to Australian Standards AS/NZS 1170.2:2021 and AS 4055:2021
Beam Load Widths	Is the (uplift) load on the beam. For simple awnings it is 50% of the roof sheeting span plus the overhang
Uplift Loads on the Beam	Is determined by a combination of the following factors, Beam Load Width, Awning Style and the Wind Category
Post Load Widths	The width of roof which is considered to act in loading the post. For simple awnings this is 50% of the roof sheeting plus any adjacent overhang that loads the beams connecting to the post
Uplift Loads on the Post	Is a force that consists of a combination of uplift force on the beam and the load width of the post
Hold Down Capacity	The maximum uplift capacity that the foundation can resist

ENGINEERING TABLE OF CONTENTS

INDEX - MODULE D

MODULE D - BRACKETS, FIXINGS, FLASHINGS & ACCESSORIES

1 - Dead Load Table	Page 7-18
1.1 Plasterboard	
1.2.1 Roof Panel Assembly	
1.2.2 Ceiling Panel Assembly	
1.3 Solar Panel Brackets	
1.4 Ceiling Fan Bracket	
1.5 DeltaPanel Light	
2 - Lighting	Page 19-23
2.1 Skylight Installation	
2.2 Recess Lighting	
3 - Flashings	Page 24-36
3.1 Covering waterproofing	
3.2 Connection Details - Gutters	
4 - Fixings	Page 37-41
4.1 Ceiling Suspension Kits	
4.2 Mushroom Head Bolt	
4.3 Secret Fix Bracket	
4.4 Standard Fixings	

Expanded Polystyrene (EPS-FR) Panels

Dead Load - Kgs/m ²							
Span (mm)	Panel Thickness						
	50mm	75mm	100mm	125mm	150mm	175mm	200mm
3000	15.00	17.50	20.00	22.50	25.00	27.50	30.00
6000		12.50	15.00	20.00	22.50	25.00	27.50
8000			10.00	12.50	18.50	20.00	25.00
10000					15.00	17.50	15.00
12000							10.00

1. Published figures are a maximum, for an evenly distributed load
2. No load allowed on the overhangs
3. For any loads and spans not shown in this table specific engineering will be required

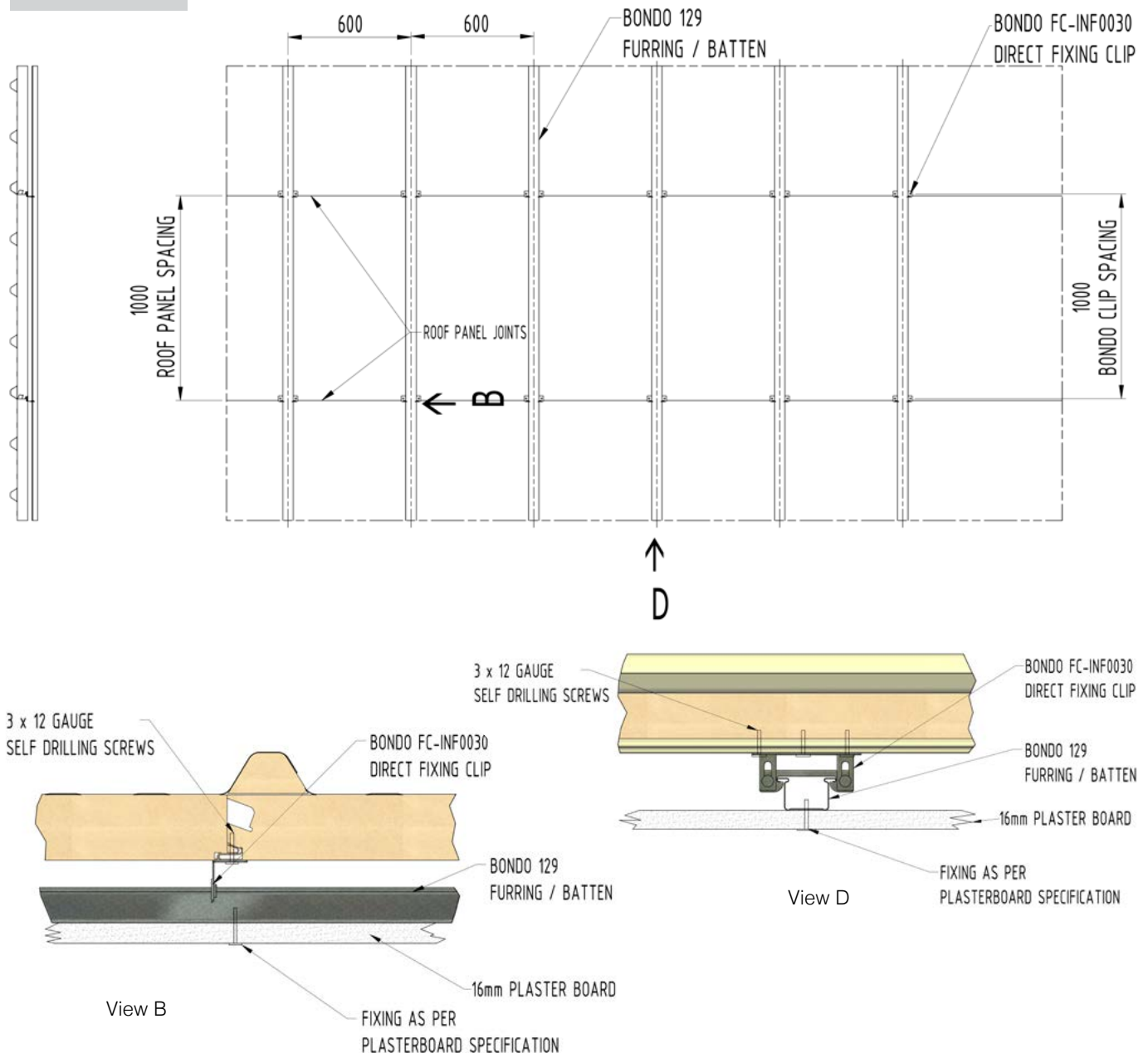
Plasterboard Attachment

The plasterboard attachment bracket is designed to carry a dead-load of 15kgs/m², so prior to the attachment of plasterboard to the underneath side of an insulated panel roof, it's essential that engineering calculations are carried out to ensure that the roof as installed is designed for the additional load that will be imposed by the additional equipment.

To mount plasterboard fixing brackets to insulated panels it is necessary to identify which way that the battens will run. As the battens can either run parallel to the panel join or across ways.

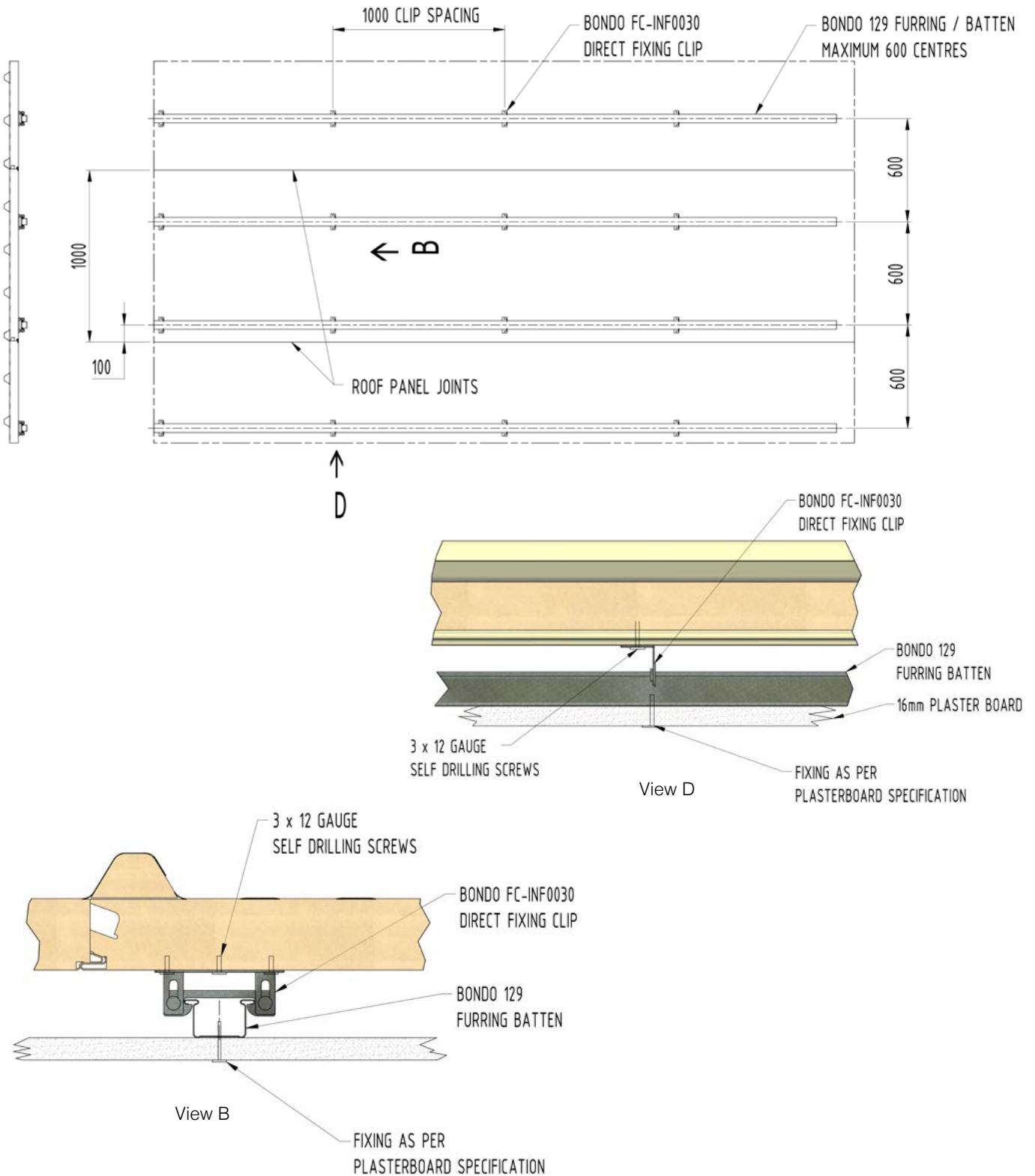
Insulated Roof Plasterboard Attachment

OPTION A



Insulated Roof Plasterboard Attachment

OPTION B

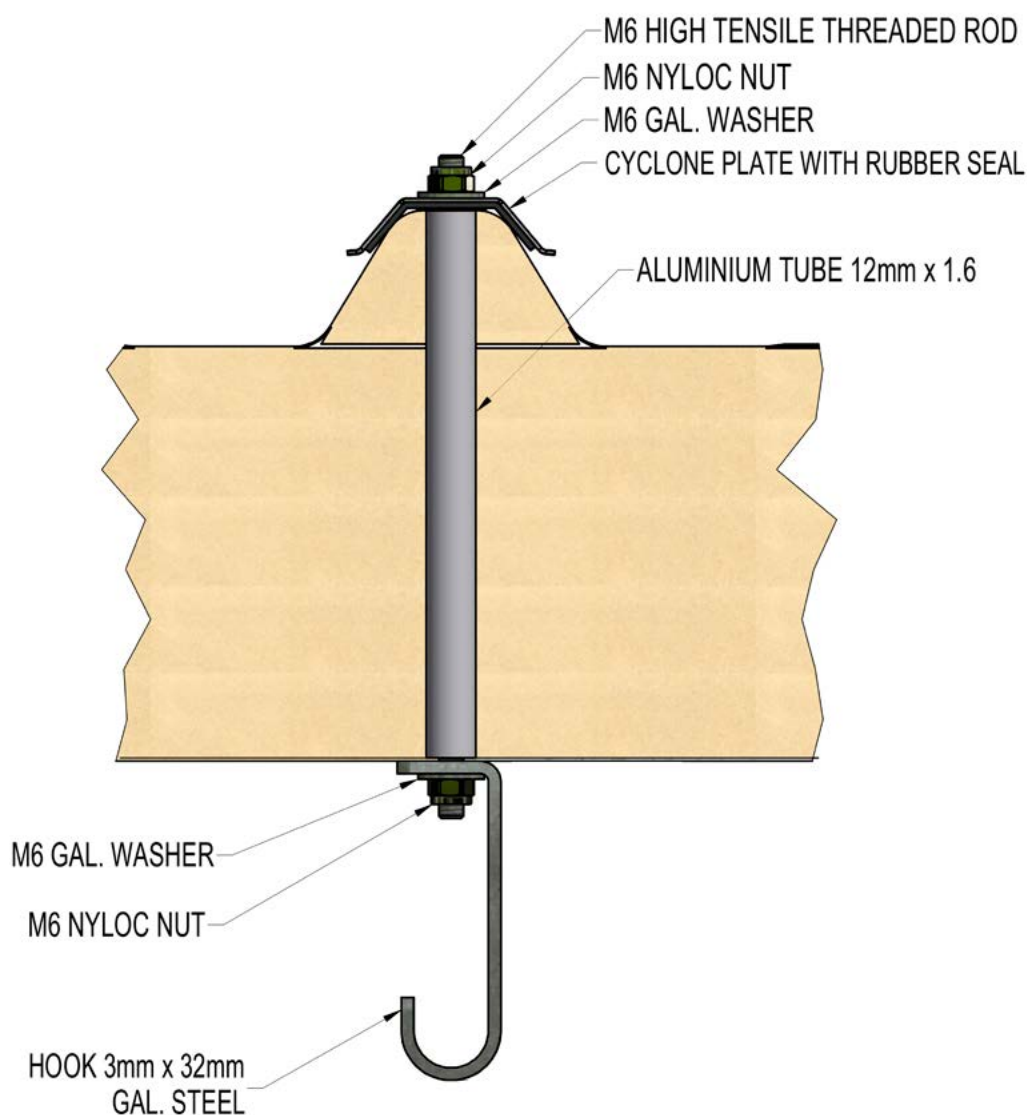


All Purpose Service Support Bracket

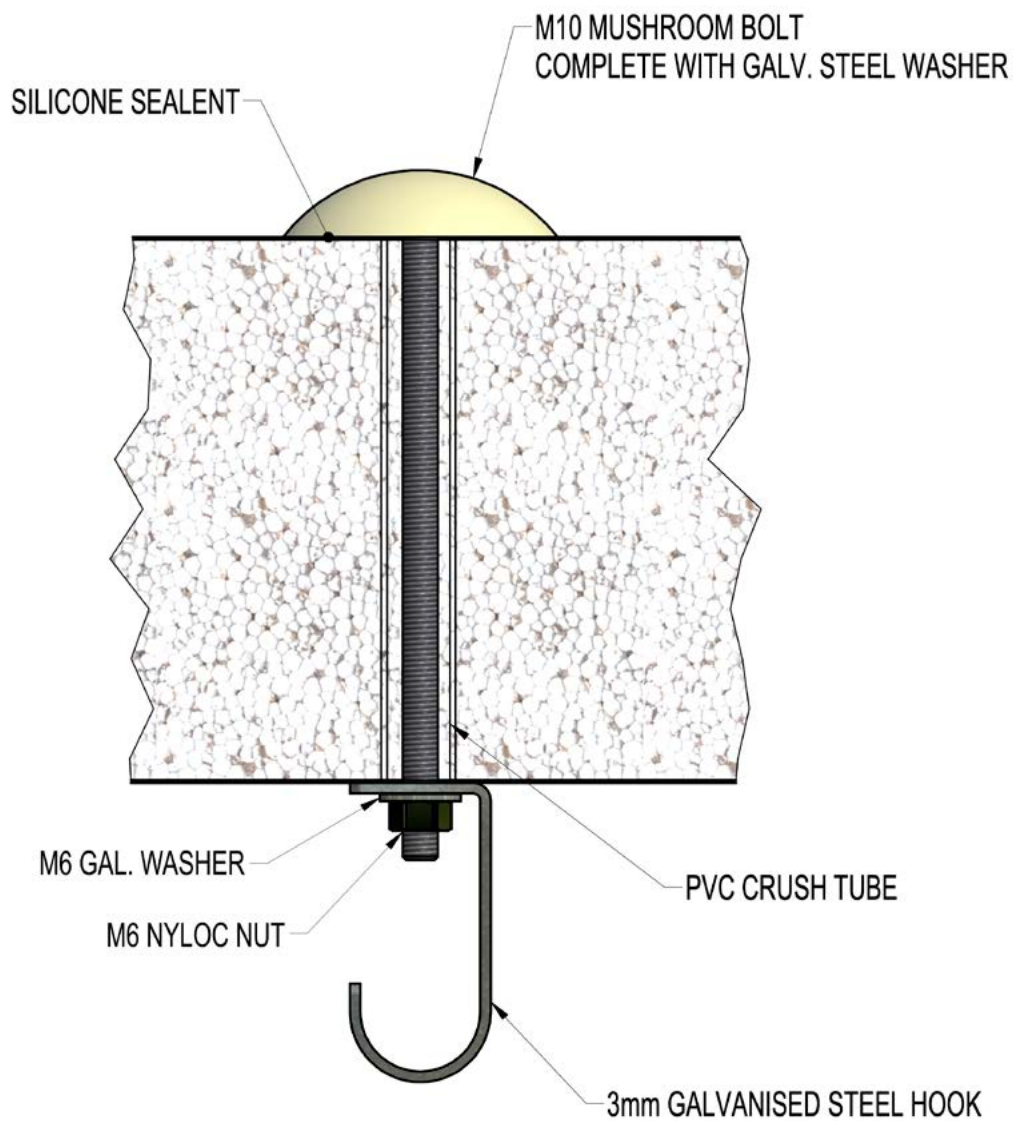
To fix an all purpose support bracket to insulated panels it is necessary to ensure that the weight is spread over the whole of the top skin of the panel. Therefore a through-fastening arrangement is required. The all purpose service bracket is designed to cater for a dead-load weight of 30 kgs.

Ridge fixing as close as possible to the panel join is highly recommended.

SUPPORT BRACKET - ROOF PANEL



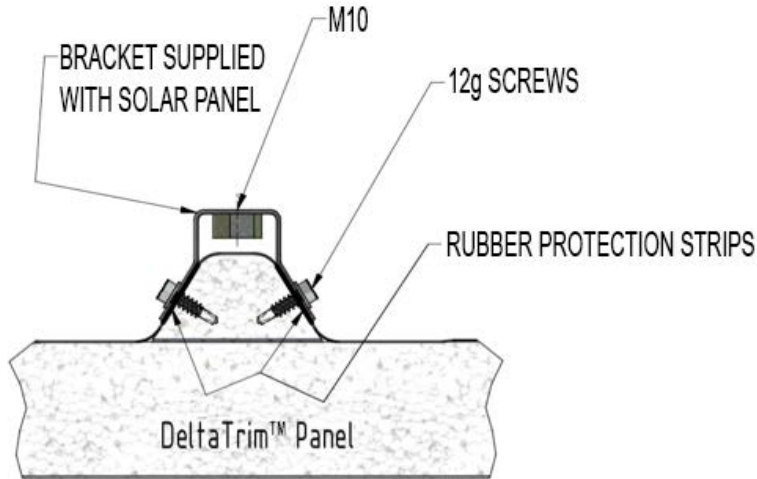
SUPPORT BRACKET - CEILING PANEL



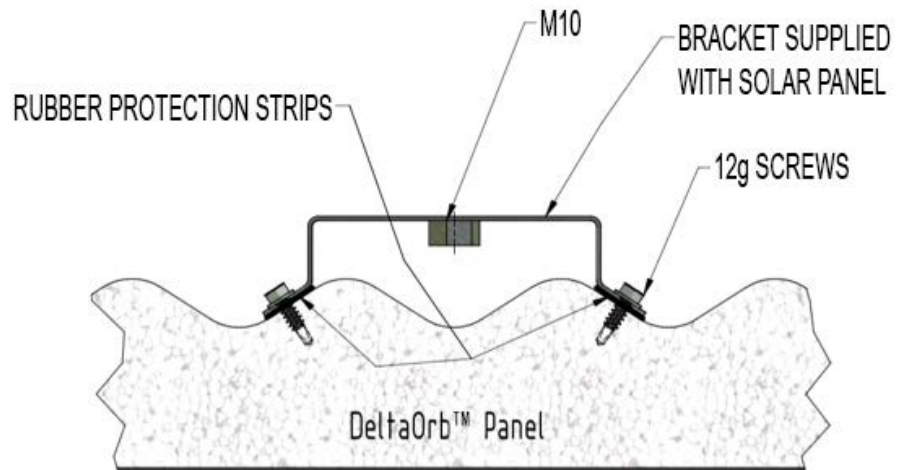
1 DEAD LOAD TABLE

1.3 Solar Panel Brackets

BRACKET SPECIFICATIONS

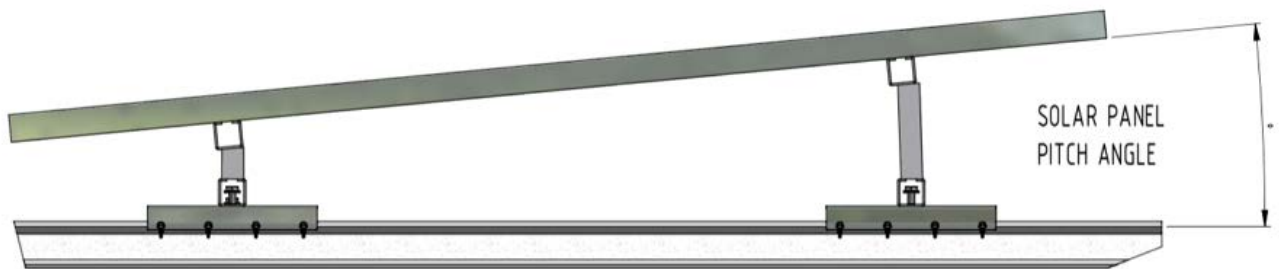


Bracket Fixing Details - DeltaTrim™ Panel



Bracket Fixing Details - DeltaOrb™ Panel

PV SOLAR PANEL INSTALLATION PITCH ANGLE



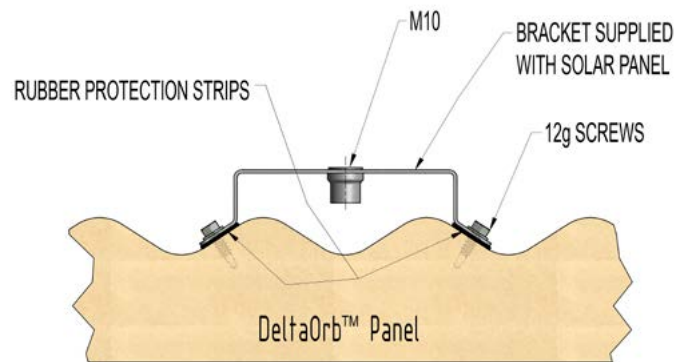
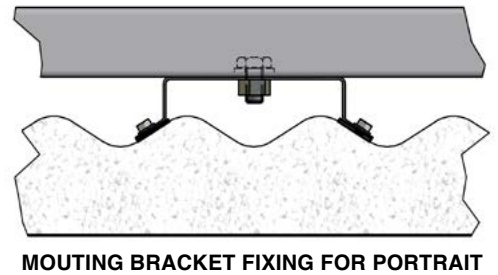
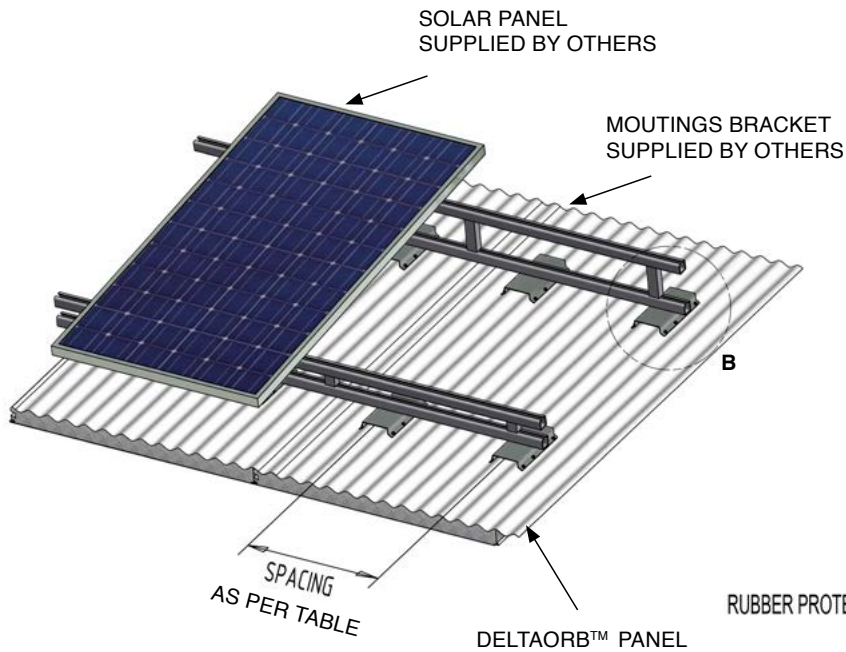
Mounting Angle $\geq 40^\circ$

1 DEAD LOAD TABLE

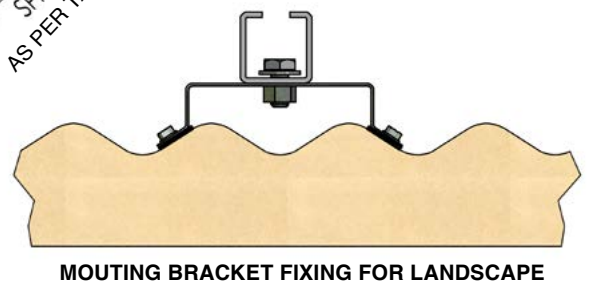
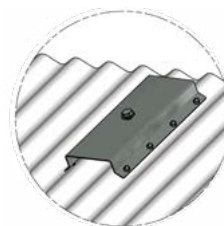
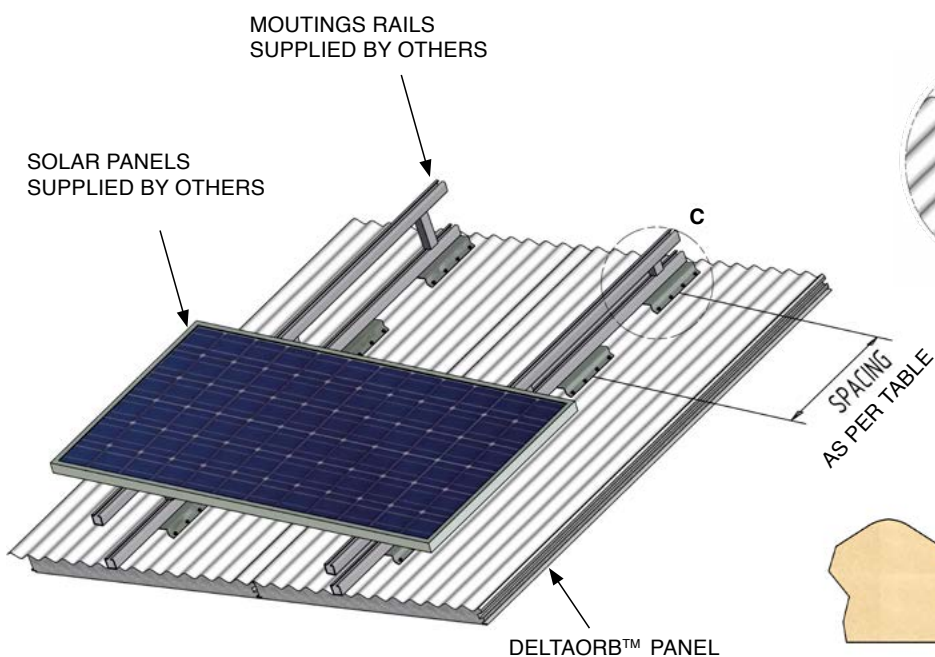
1.3 Solar Panel Brackets

PV SOLAR PANEL POSITIONING

DELTAORB™ PORTRAIT INSTALLATION



DELTAORB™ LANDSCAPE INSTALLATION



Ceiling Fans

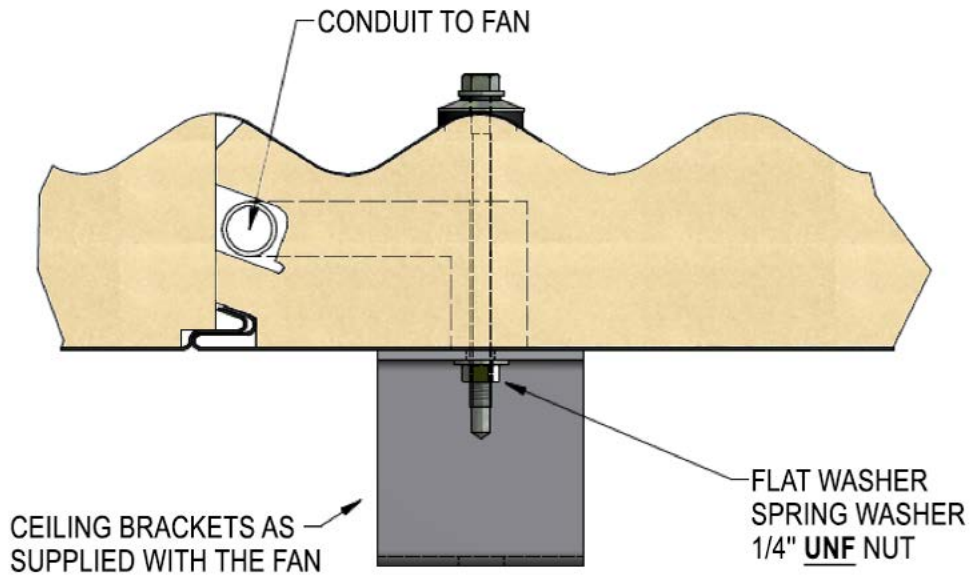
To mount ceiling fans to insulated panels it is necessary to use a range of specifically designed brackets which ensure that the weight of the fan is spread over the whole of the top skin of the panel. Ridge fixing is highly recommended.

The brackets are designed to cater for a dead-load weight of 30 kgs, they're to be attached to the mounting brackets that come as part of the ceiling fan kit.

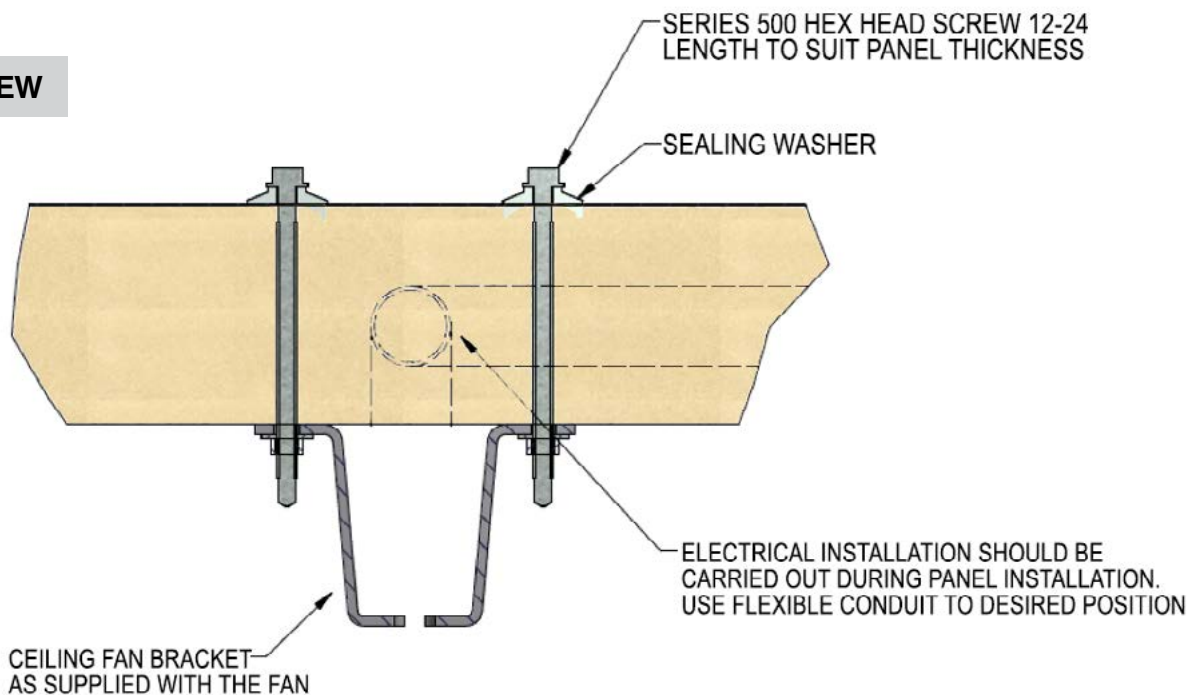
All electrical work must be carried out by a Licensed Electrician.

BRACKET INSTALLATION DETAILS - DELTAORB™

END VIEW

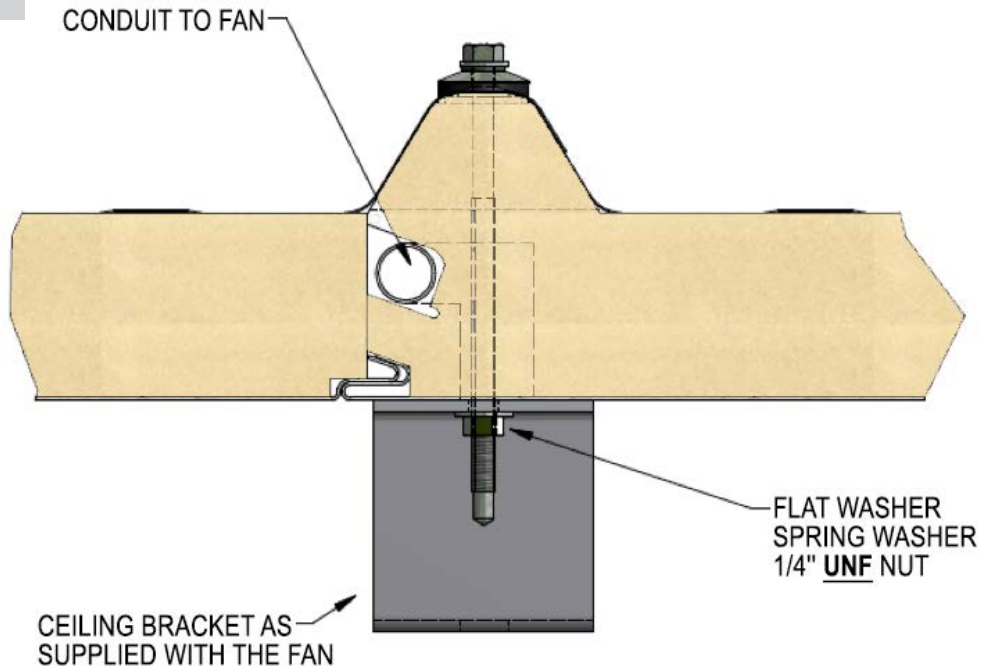


SIDE VIEW

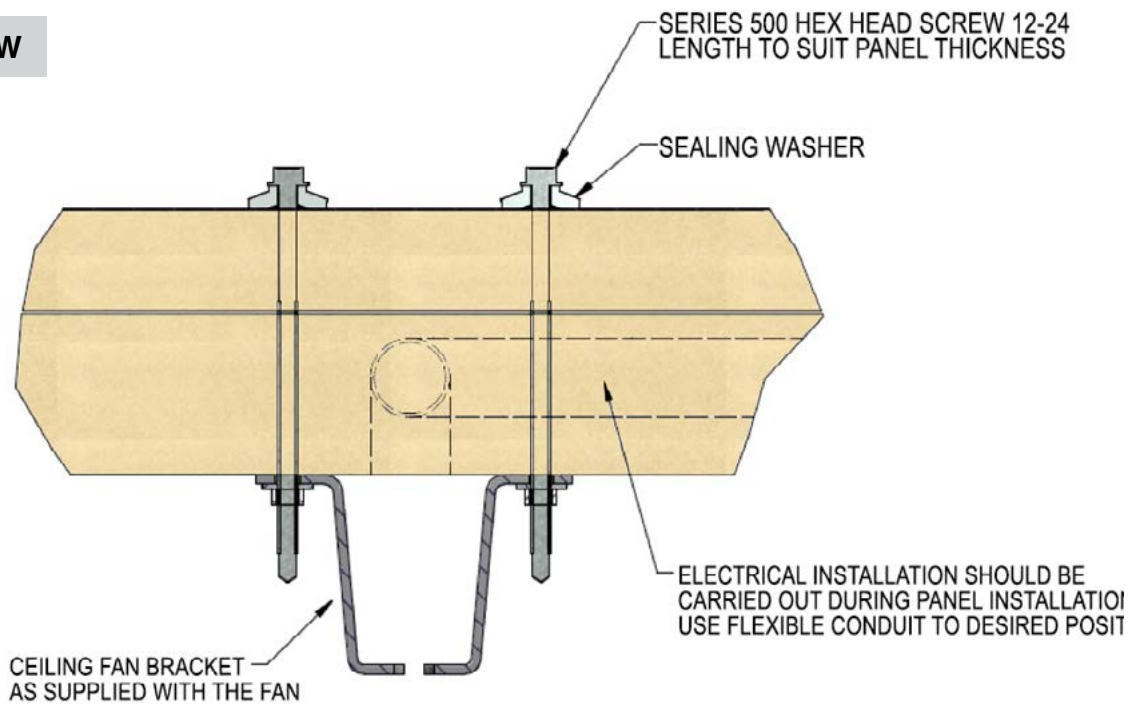


BRACKET INSTALLATION DETAILS - DELTATRIM™

END VIEW



SIDE VIEW



1 DEAD LOAD TABLE

1.5 DeltaPanel Light

PRODUCT DETAILS

The DeltaPanel lights are available in 3 sizes to allow for maximum design flexibility. The 10mm light panel are inserted into a 50mm frame which allows the LED driver to be conveniently housed behind the light panel.

PRODUCT FEATURES

- Available in 3 different sizes
- Powder Coated Aluminum frame
- Pre-drilled holes for an easy installation
- Polycarbonate Lens provides even illumination
- Low Voltage Power source
- Wall mounted and remote controller
- Triac Dimmer
- No attached conduits or Hanging Wires to the panel under-skin.
- NonFlicker

PRODUCT SPECIFICATIONS

Manufactured with a sealed polycarbonate lens and mounted in a powder coated mounting frame, the Delta Panels lights are designed for easy installation given a clean functional lighting solution. Ideal for a range of Commercial, Industrial and Domestic applications.

DELTAPANEL LIGHT™ SPECIFICATIONS

	PL595X595TD	PL295X1195TD	PL595X1195TD
Exterior Width	595mm	295mm	595mm
Exterior Length	595mm	1195mm	1195mm
Height - Frame	50mm	50mm	50mm
Light Panel Thickness	10mm	10mm	10mm
Wattage	54W	54W	72W - Dual Driver
Input Voltage	AC220-240V - Dimmable	AC220-240V - Dimmable	AC220-240V - Dimmable
Light Output (Lumens)	80-100 lm/w	80-100 lm/w	80-100 lm/w
Colour Accuracy (CRI)	80 CR(Ra)	80 CR(Ra)	80 CR(Ra)
Correlation Colour Temperature (CCT)	5000k	5000k	5000k
Protection Class	IP44	IP44	IP44
Warranty	3 year limited warranty	3 year limited warranty	3 year limited warranty

FRAME COMPONENTS

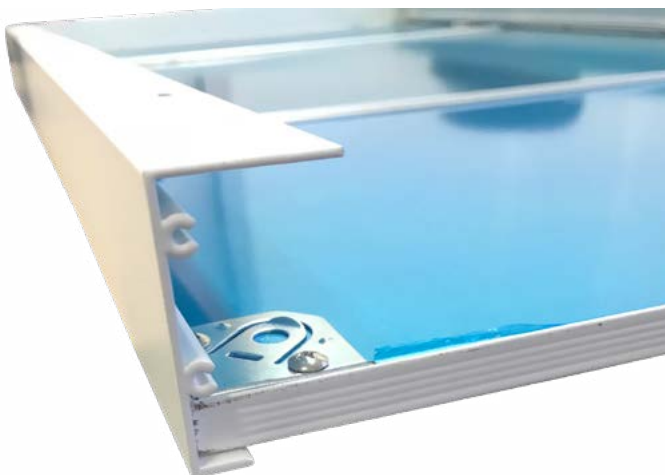
UNASSEMBLED PARTS



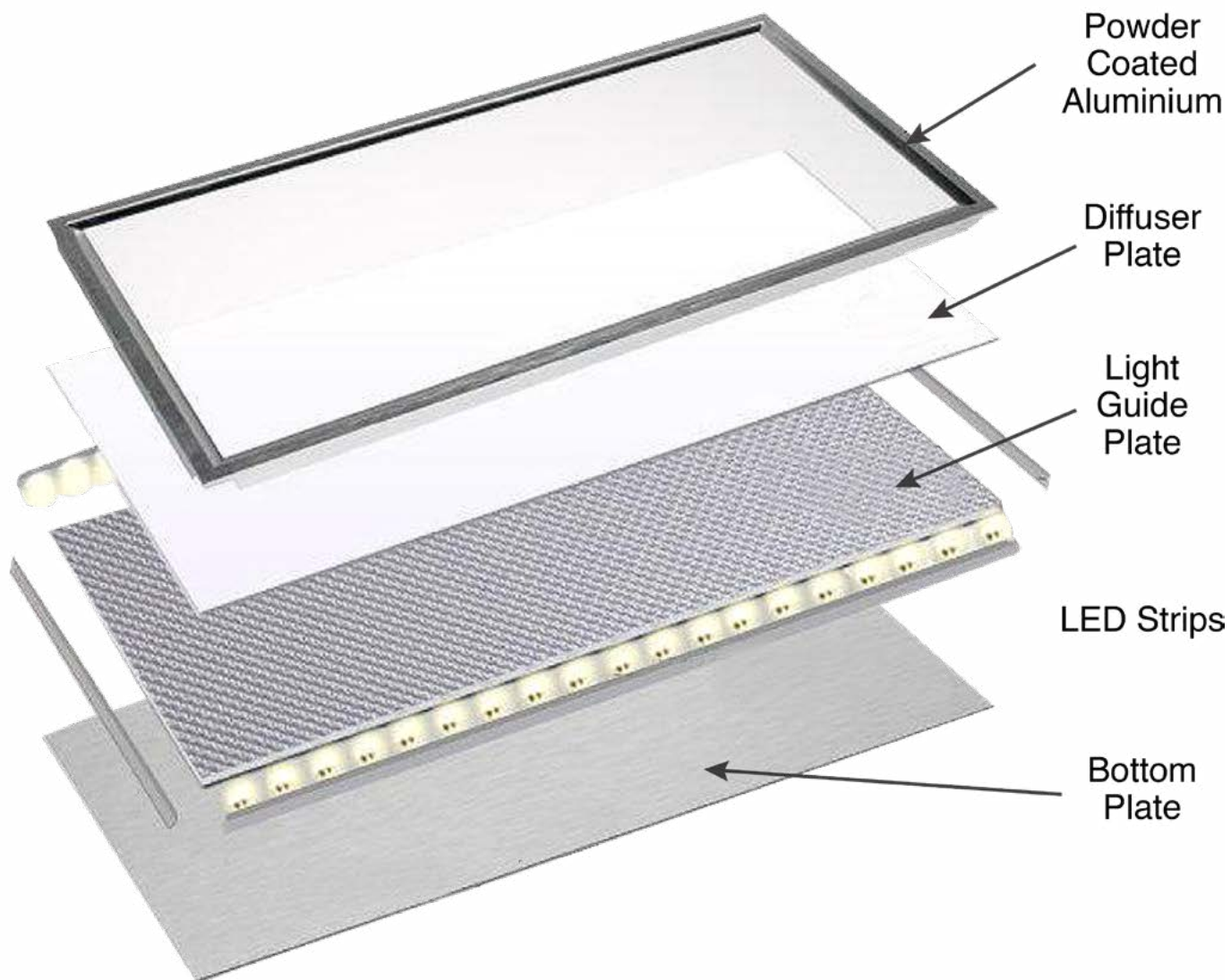
CONNECTION POINTS



ASSEMBLED FRAME WITH LIGHT PANEL



PANEL LIGHT COMPONENTS



SAFETY

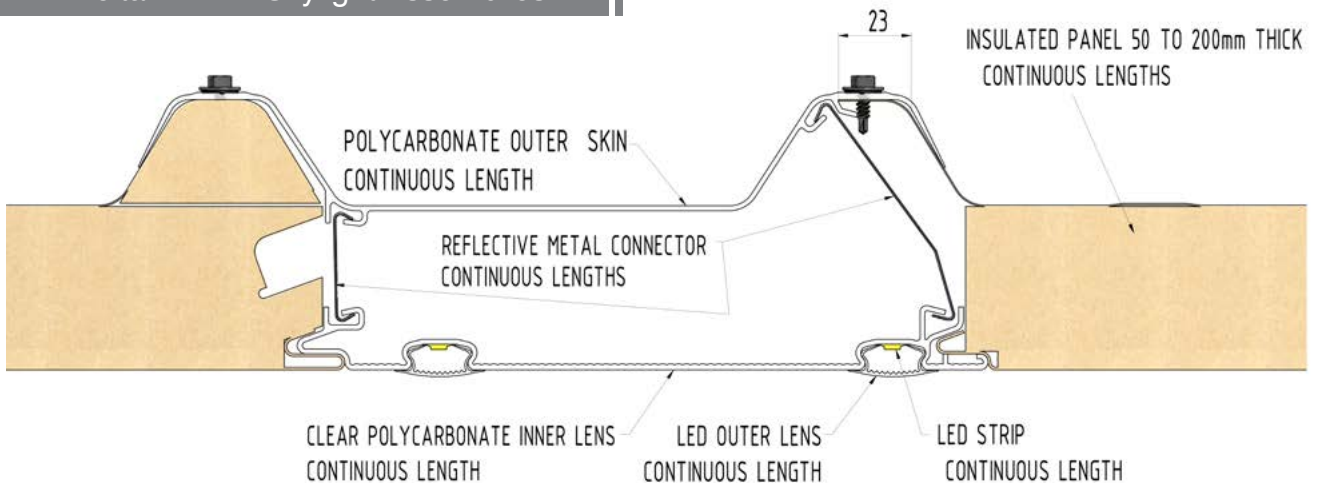
- Please ensure all installation procedures comply with Australian Wiring Rules AS/NZ3000
- **PROTECT YOURSELF!** Before installing, please read the DeltaPanel Light™ & Safety Installation Instructions carefully.

PRODUCT DETAILS

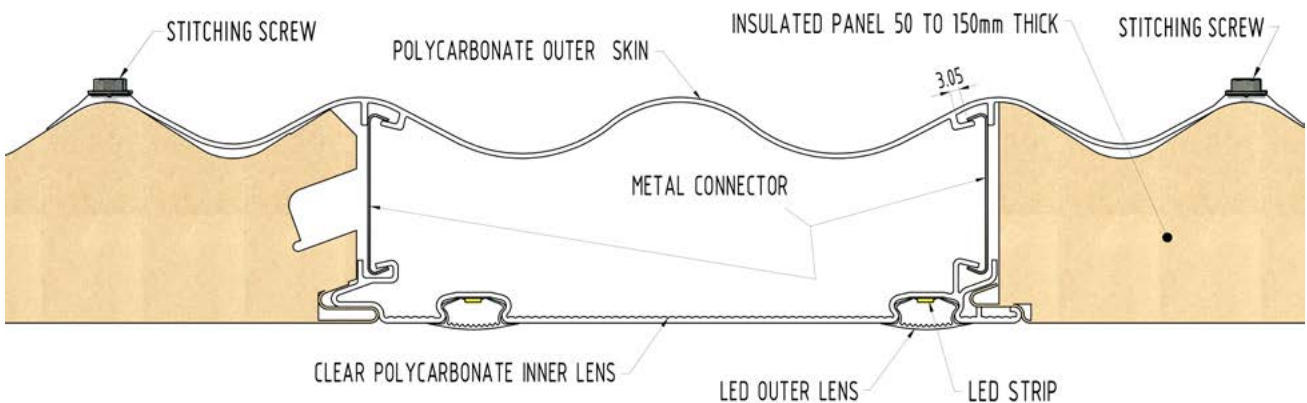
The DeltaLum™ LED light system in conjunction with the DeltaSkylight™ are covered by the Australian Innovation Patent Application No. 20181010435. The uniquely innovated design allows for natural daylight to illuminate the patio area, while at night time the system operates as a fully functioning lighting system.

SKYLIGHT DIAMETER	200mm	COLOUR ACCURACY (CRI)	80 CR(Ra)
SKYLIGHT HEIGHT	50mm-200mm	CORRELATION COLOUR TEMPERATURE (CCT)	2800-7000 k
INPUT VOLTAGE	AC220-240V – Dimmable	PROTECTION CLASS	IP44
LIGHT OUTPUT (LUMENS)	80-100 lm/w	WARRANTY	3 year limited warranty

2.1.2 DeltaTrim™ - Skylight Assemblies



2.1.3 DeltaOrb™ - Skylight Assemblies

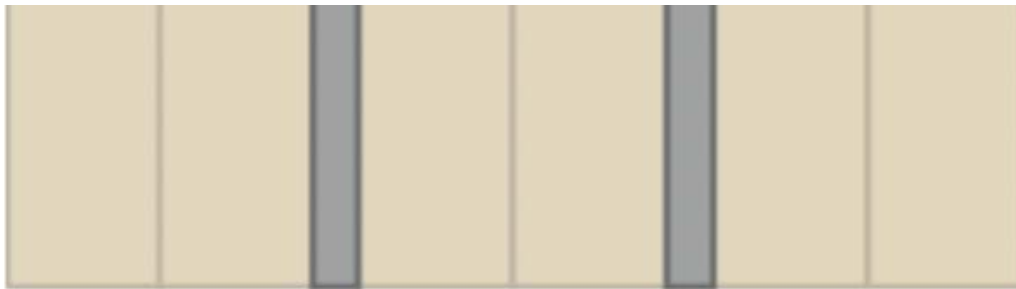


2.1.4 Design Notes

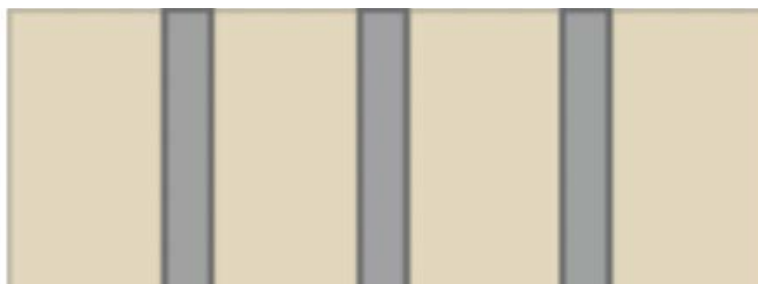
- DeltaSkylights™ when installed requires at least one panel installed on either side
- DeltaSkylights™ must be at least one full panel width from each end of the structure
- The range of DeltaSkylights™ are designed to be used in open outdoor patio, awning and carport installations. They are not designed for domestic or commercial roofing applications
- DeltaSkylights™ are deemed as non-trafficable and stepping on or near the skylight assemblies should be avoided
- The spanning capacity of the range of Delta Panels™ is reduced by 15% when DeltaSkylights™ are installed within the structure

2.1.5 Panel Layout Configuration

Delta Panels™ panels on either side



Delta Panels™ panels on either side



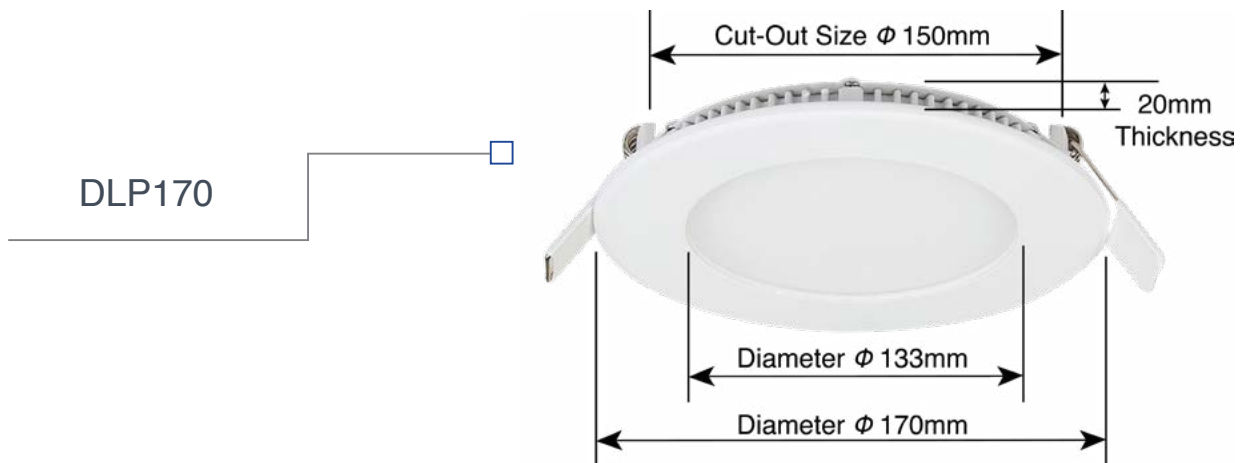
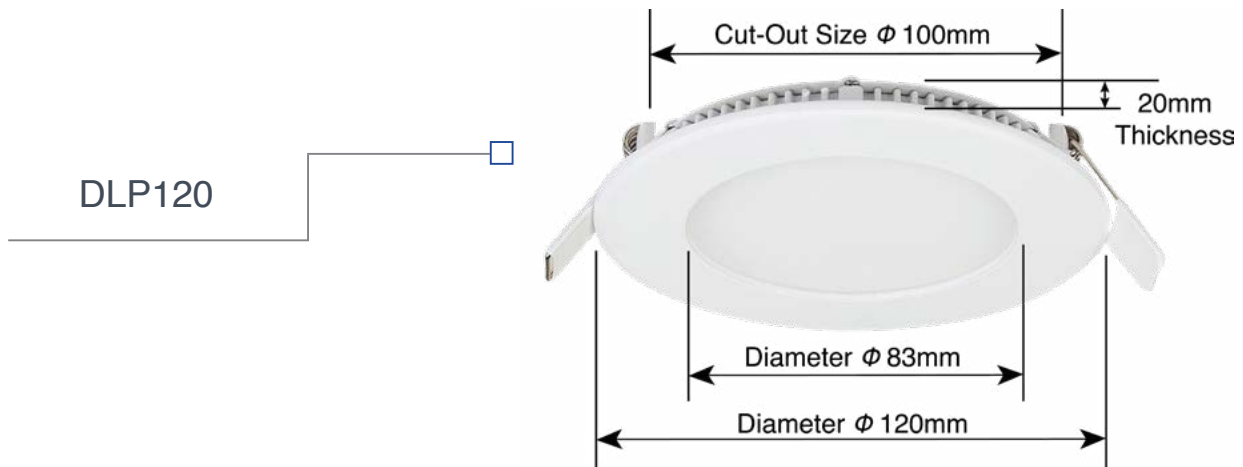
2.1.6 Safety



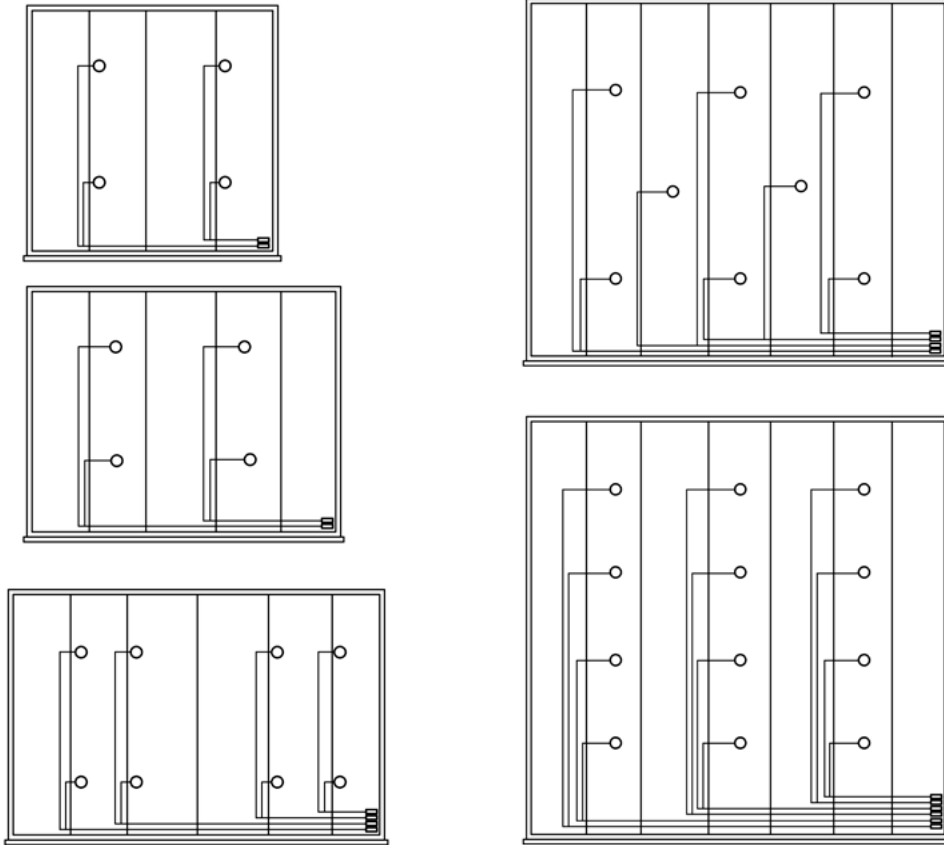
- When the DeltaLum™ LED lights are installed in conjunction with the DeltaLum™ Skylight System, please ensure all installation procedures comply with Australian Wiring Rules AS/NZS 3000-2018.
- **PROTECT YOURSELF!** Before installing, please read the DeltaLum™ LED Light & Safety Installation Instructions carefully.

DELTALOWPROFILE™ VOLTAGE DRIVER SPECIFICATIONS

		DLDR12 - Trimac Dimmer	
INPUT VOLTAGE	200-240 VAC, 47-63Hz		
OUTPUT VOLTAGE	DLP120	18-25 VDC, 300mA +/-10mA	
	DLP170	30-45 VDC, 300mA +/-10mA	
Finish	Aluminium Weatherproof Case		
Dimmable Range	Down to 10%		
WARRANTY	3 year limited warranty		

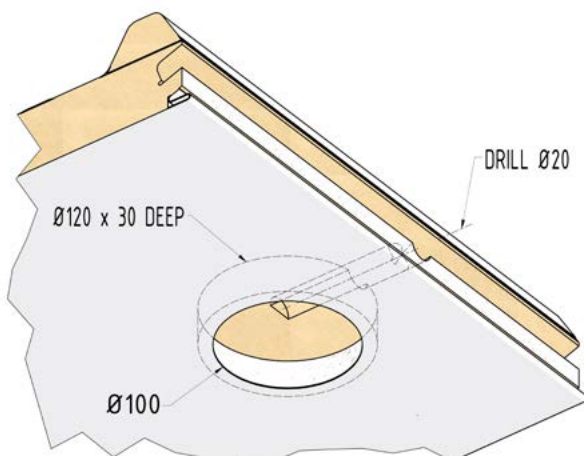


2.2.3 Wiring Layouts

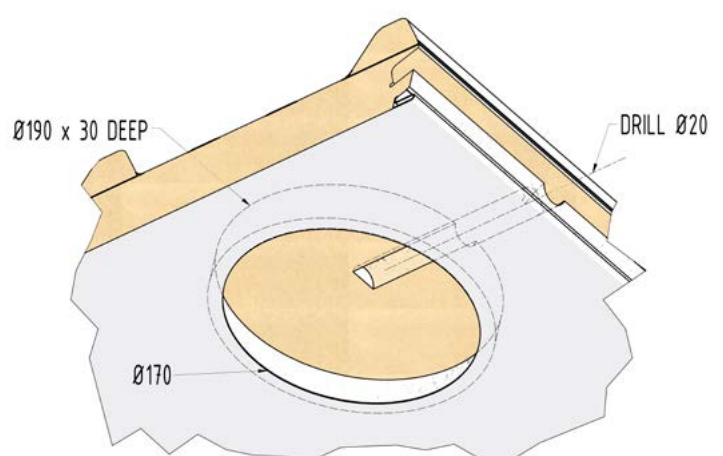


2.2.4 Ceiling Cut Out Details

- Refer to the template size on the product information provided.
- Prior to cutting the hole, double check that the size for the product you are going to install.
- Remove all insulation in the hole area to a depth of 30mm
- Remove all insulation from where the light will sit to ensure there is a 10mm air flow gap from the edge of the light fitting.
- Ensure that this discarded insulation is collected and properly disposed of.



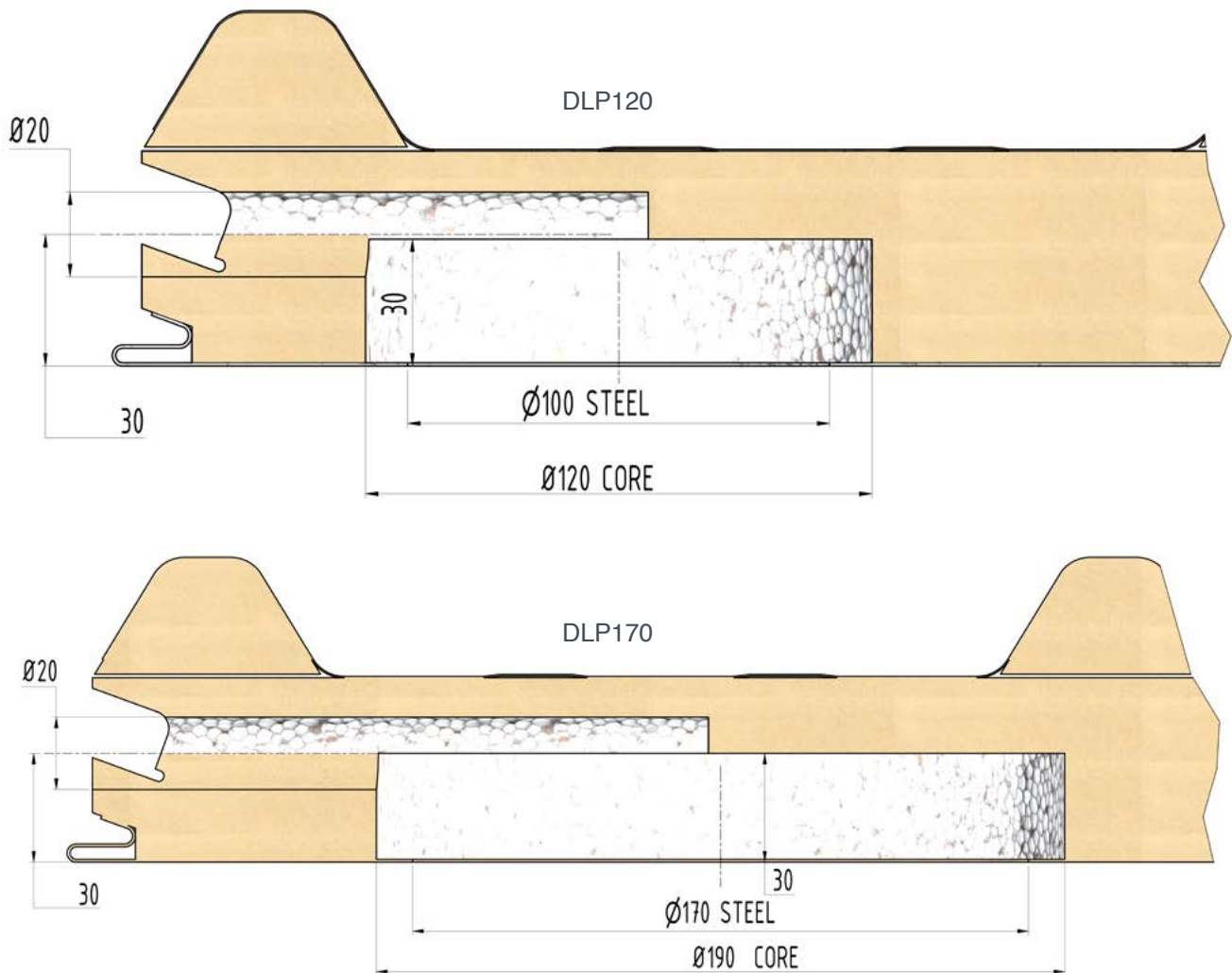
DLP120



DLP170

2.2.5 Cable Slots Details

- A 20mm hole is required to be drilled through the EPS core from the edge of the panel to the recessed light hole.
- The insulated cable is fed through this hole.



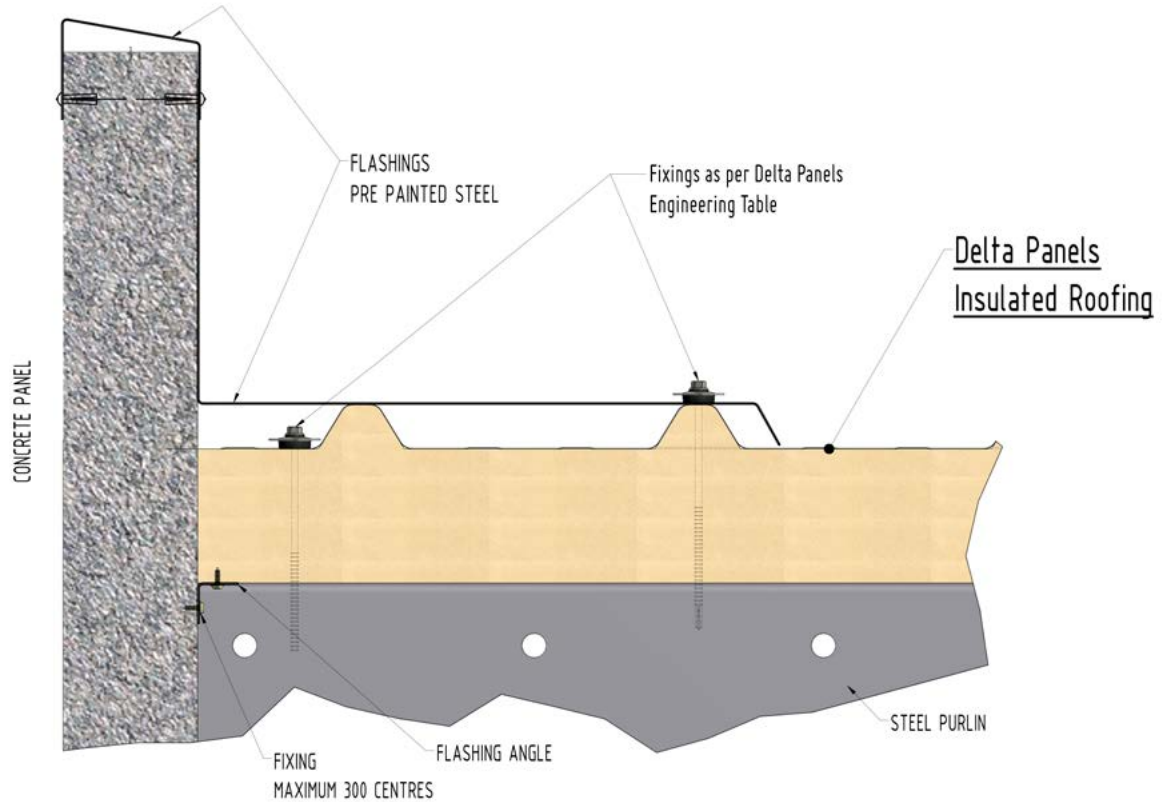
2.2.6 Safety Warnings



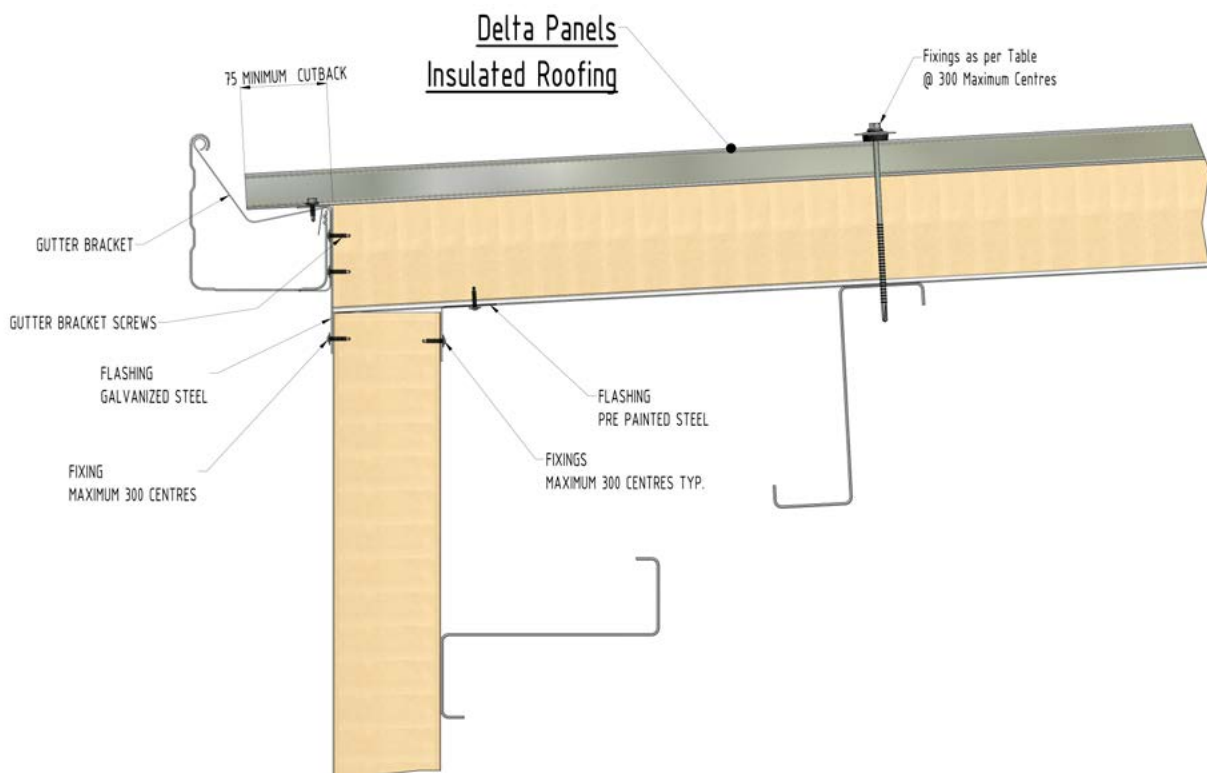
- Do not use any other driver except the one provided as part of the LED Lighting kit.
- Do not connect multiple LED light modules to a single driver.
- Do not open the LED Light Module or the LED Driver Module. There are no serviceable parts inside.
- Do not change parts or perform any modifications on any parts of the LED light fixture kit.
- Do not operate the LED driver if the LED light is not connected.

FAILURE TO FOLLOW ANY OF THESE INSTRUCTIONS COULD VOID THE PRODUCT WARRANTY

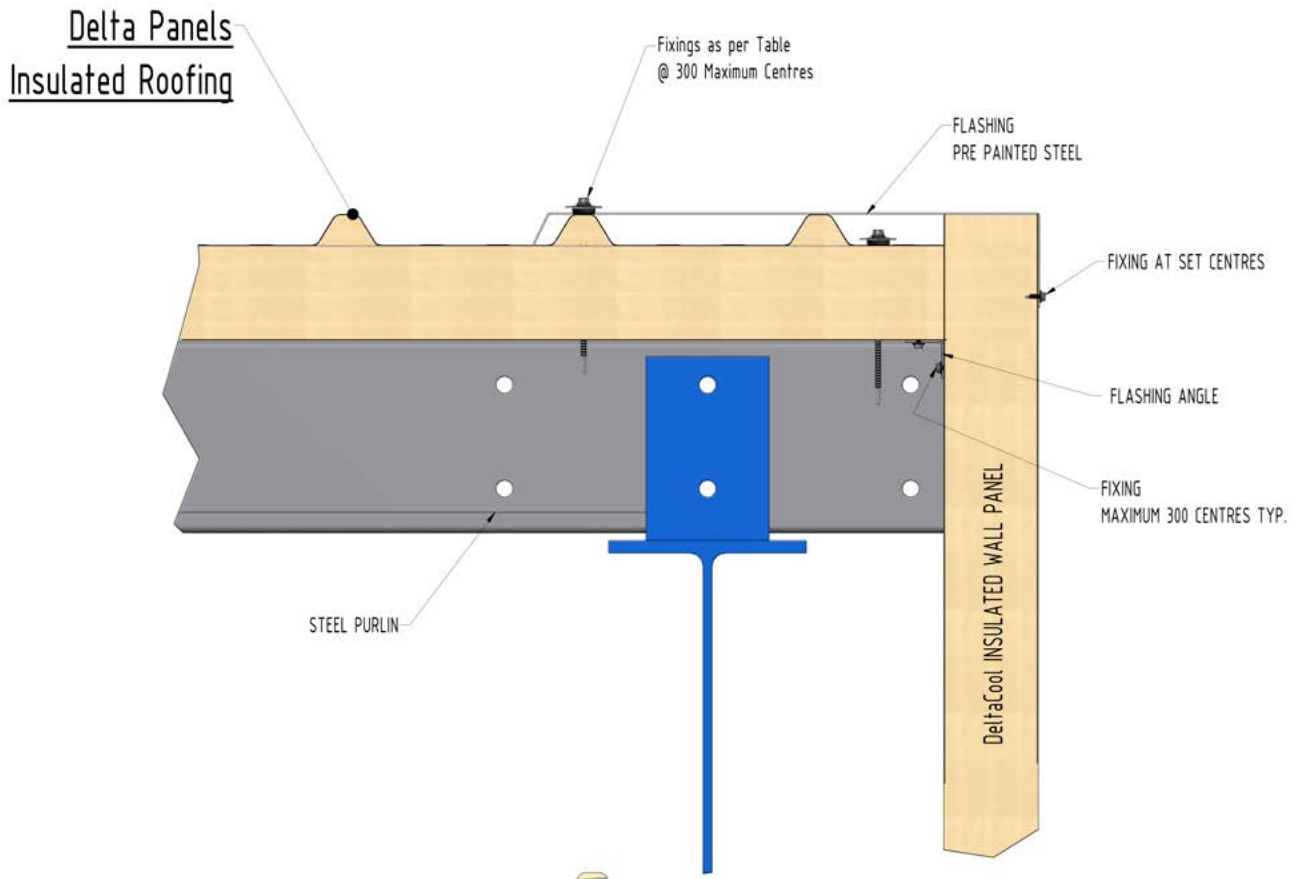
Roof Panel to Concrete Parapet Wall



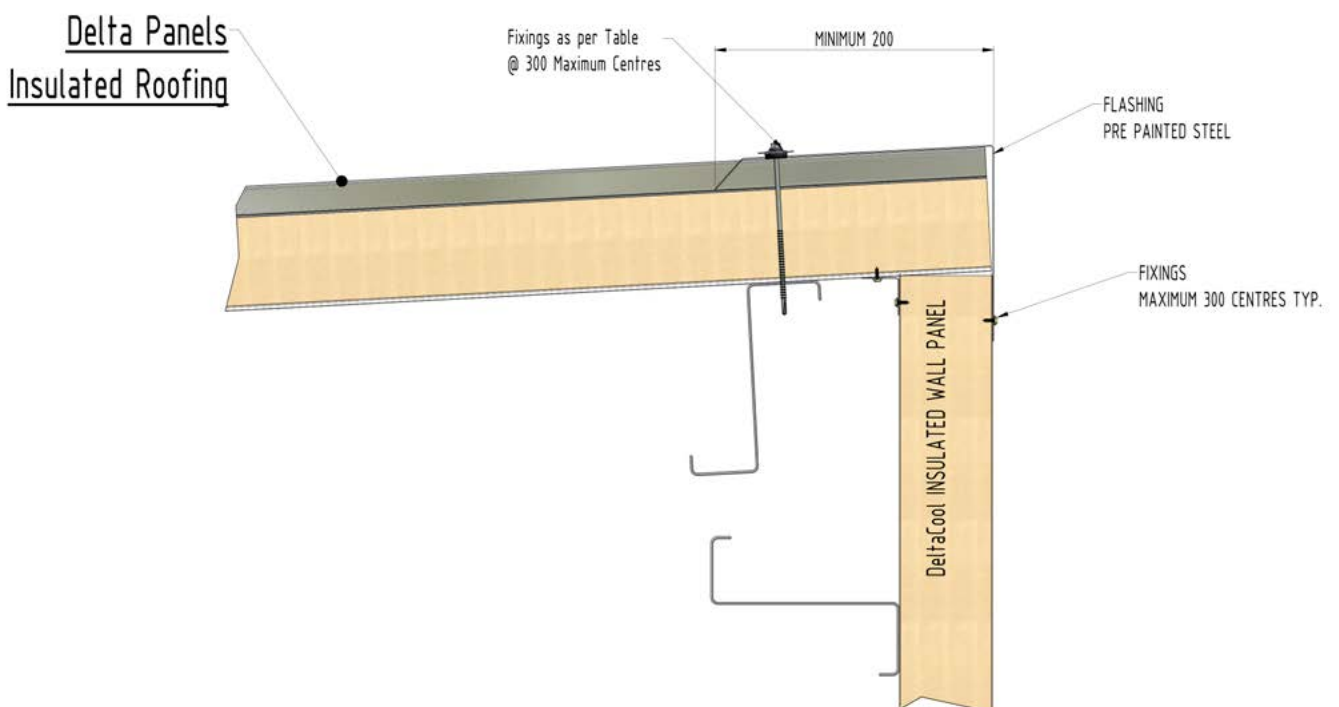
Roof Panel to Panel Wall - Gutter Detail



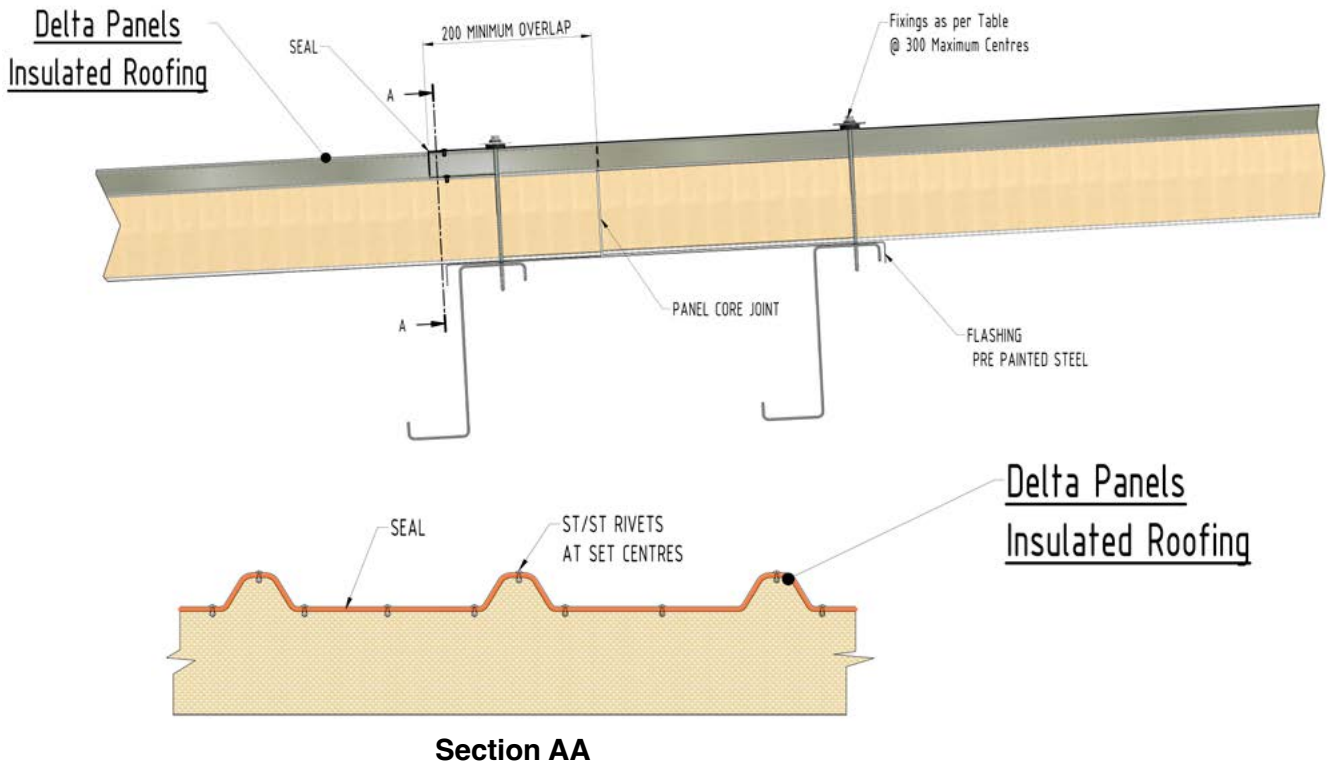
Roof Panel to Panel Wall - Corner Flashing Detail A



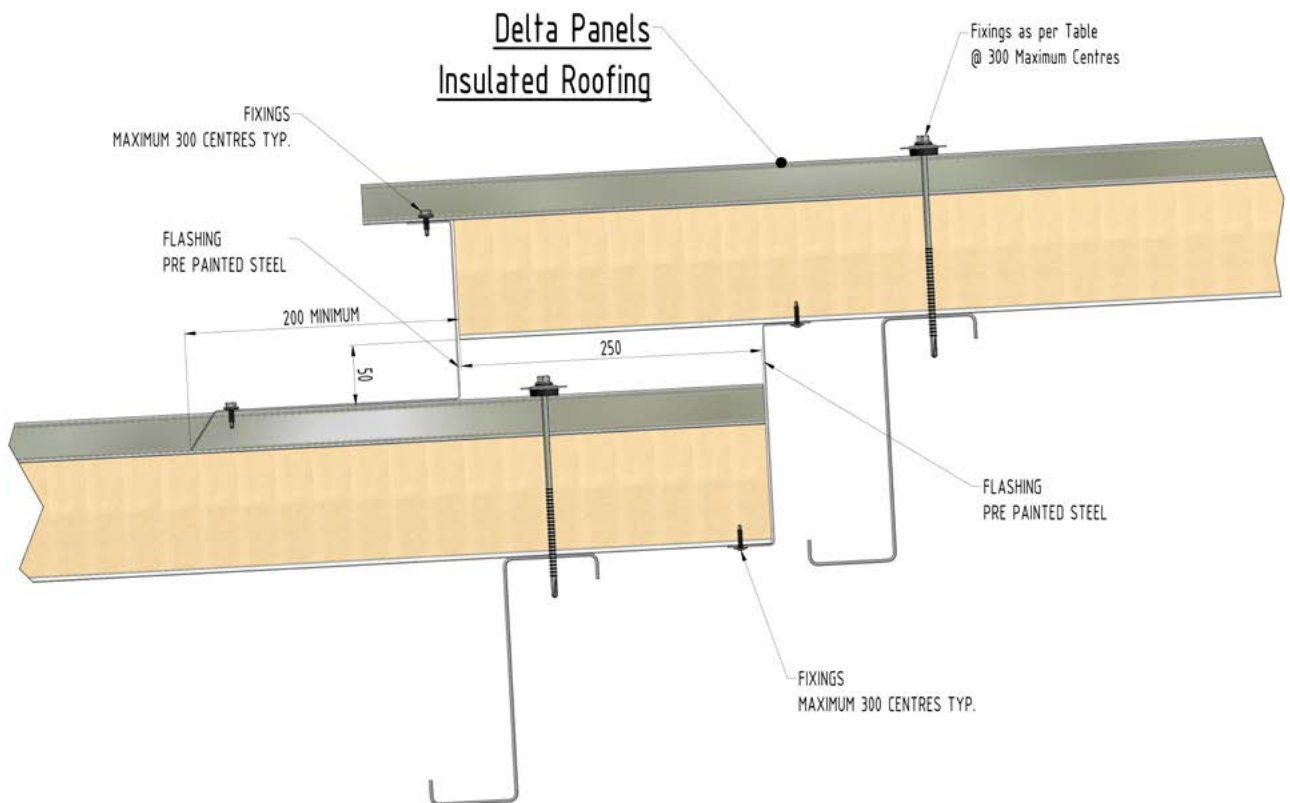
Roof Panel to Panel Wall - Corner Flashing Detail B



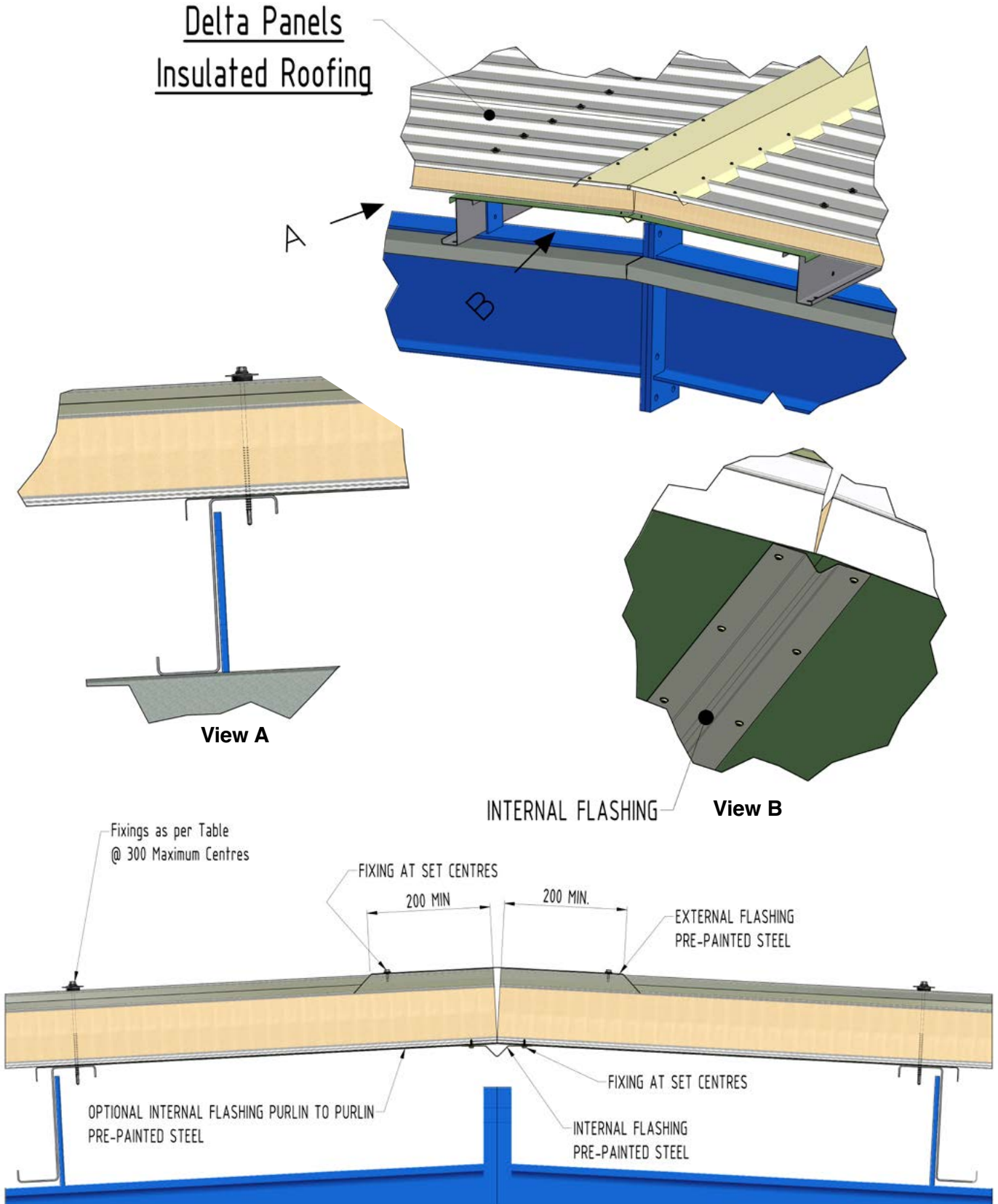
Roof Panel - End Lap Joint



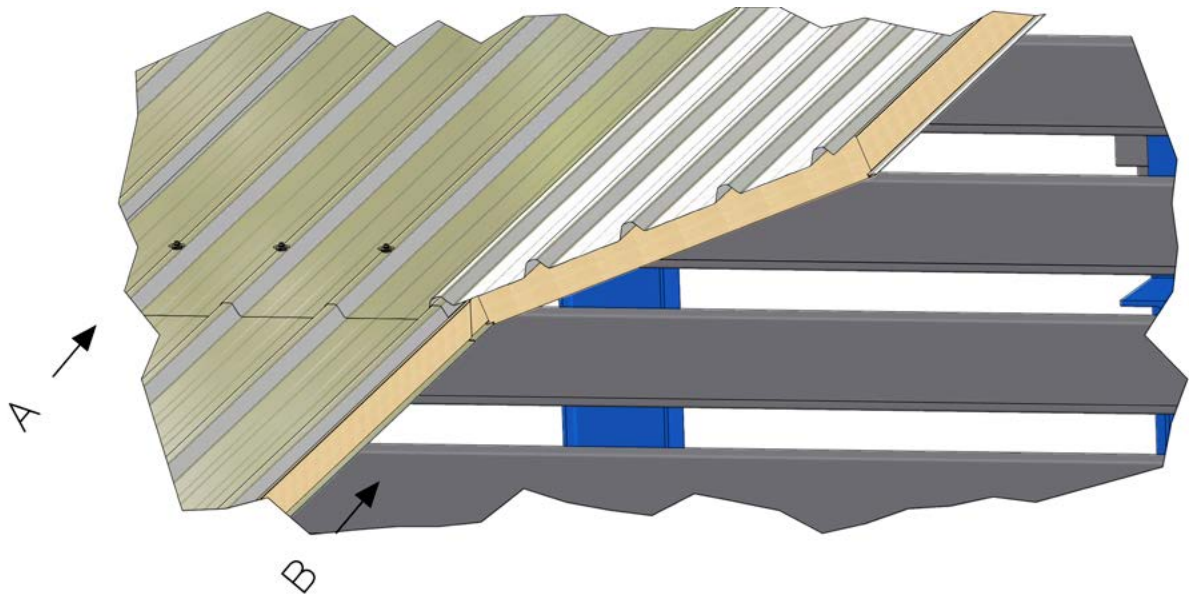
Roof Panel - Step Joint



Roof Panel - Ridge Capping Details

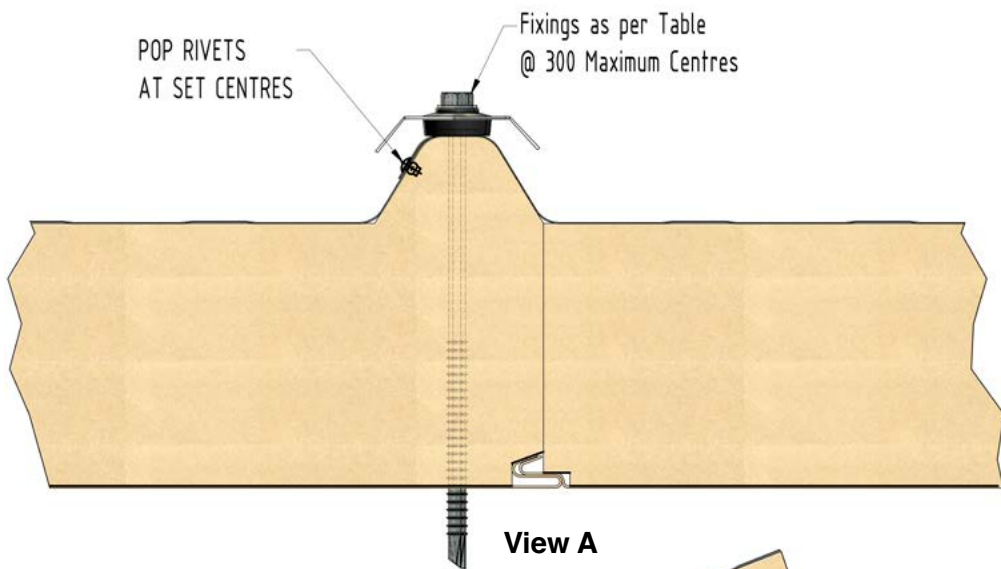


Roof Panel - Standard Connection - DeltaTrim

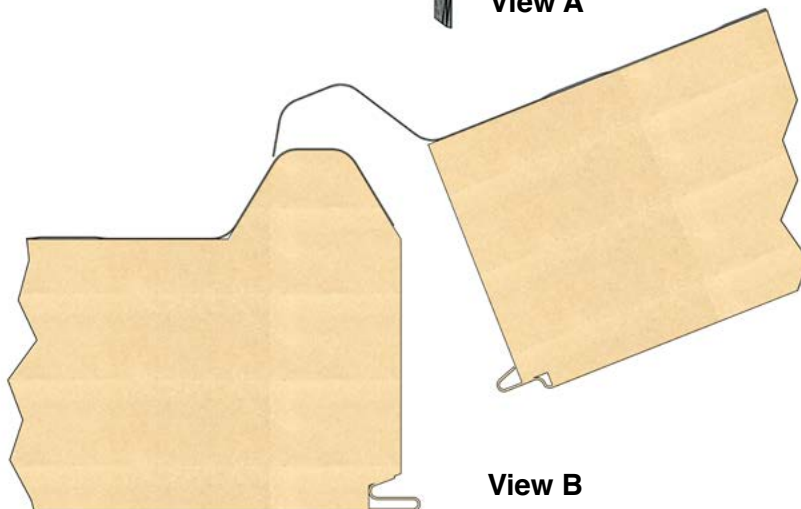


POP RIVETS AT SET CENTRES

Fixings as per Table @ 300 Maximum Centres

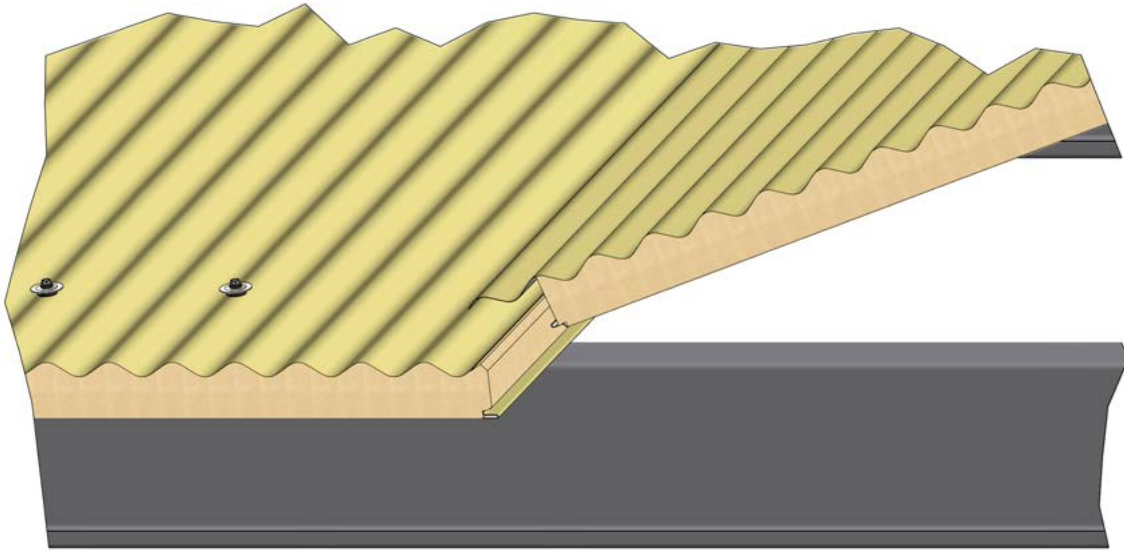


View A

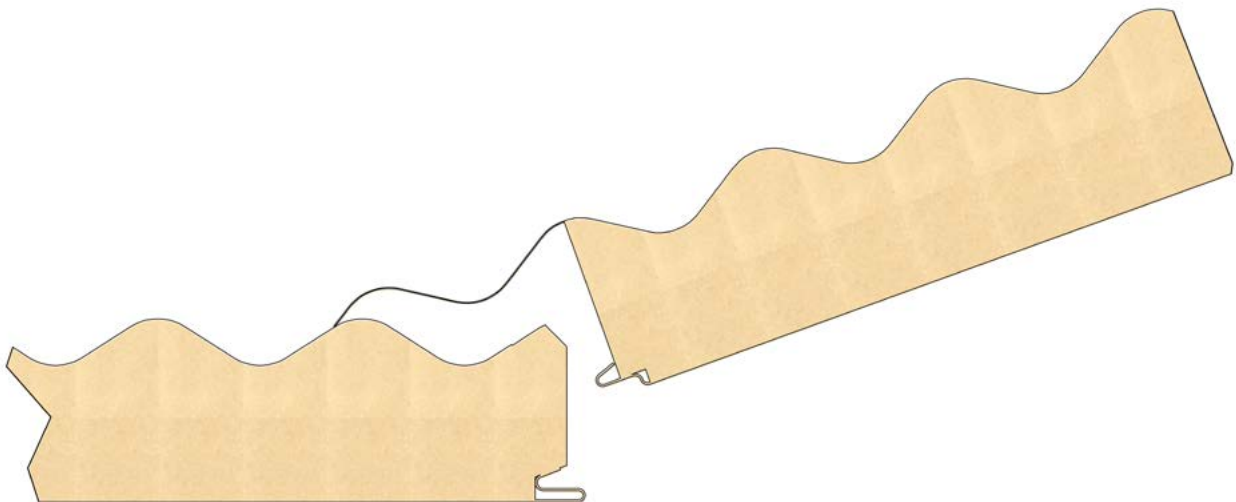
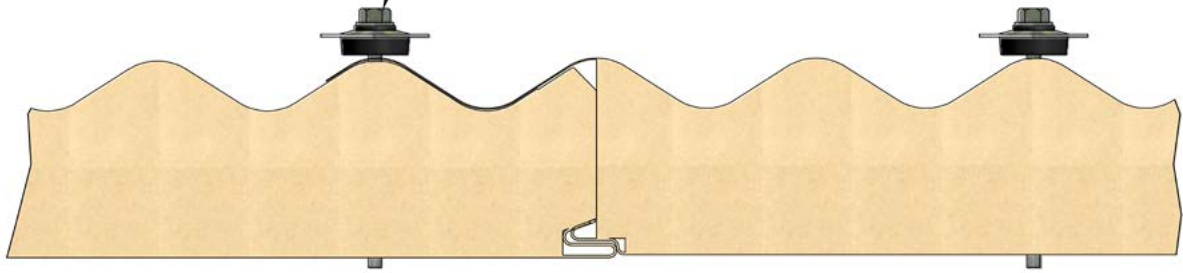


View B

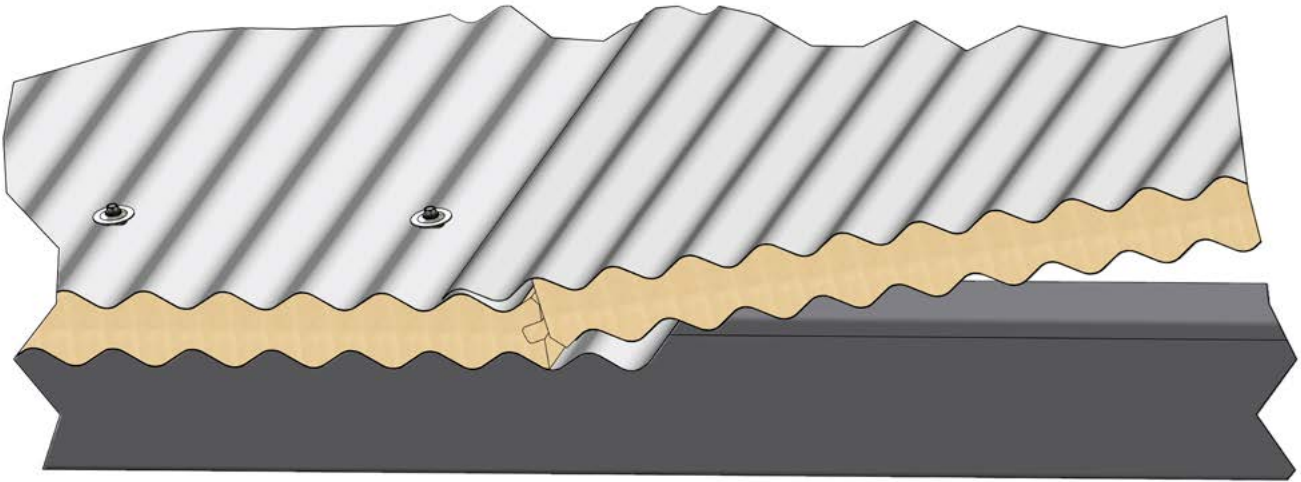
Roof Panel - Standard Connection - DeltaOrb



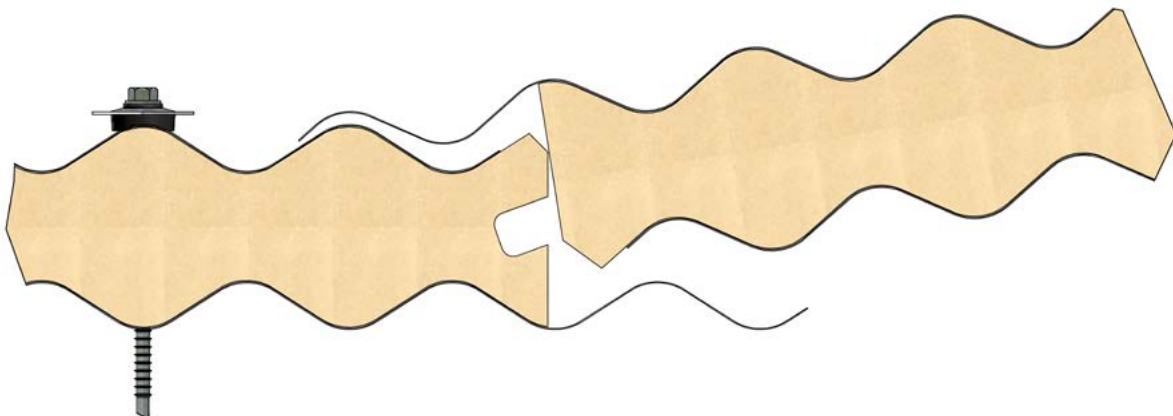
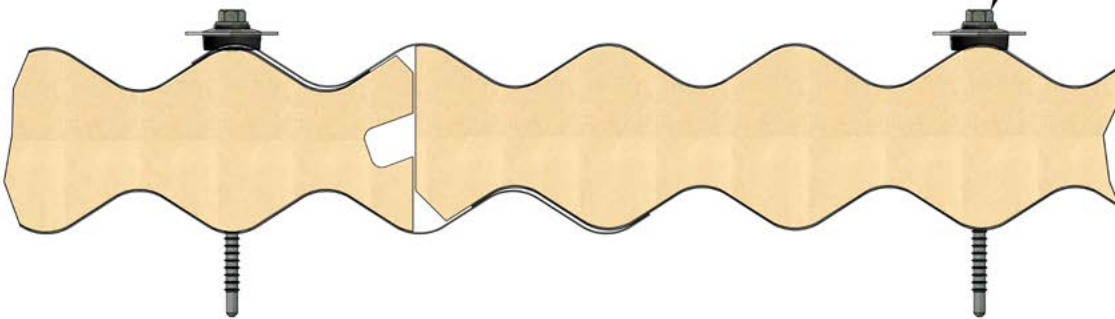
Fixings as per Table
@ 300 Maximum Centres



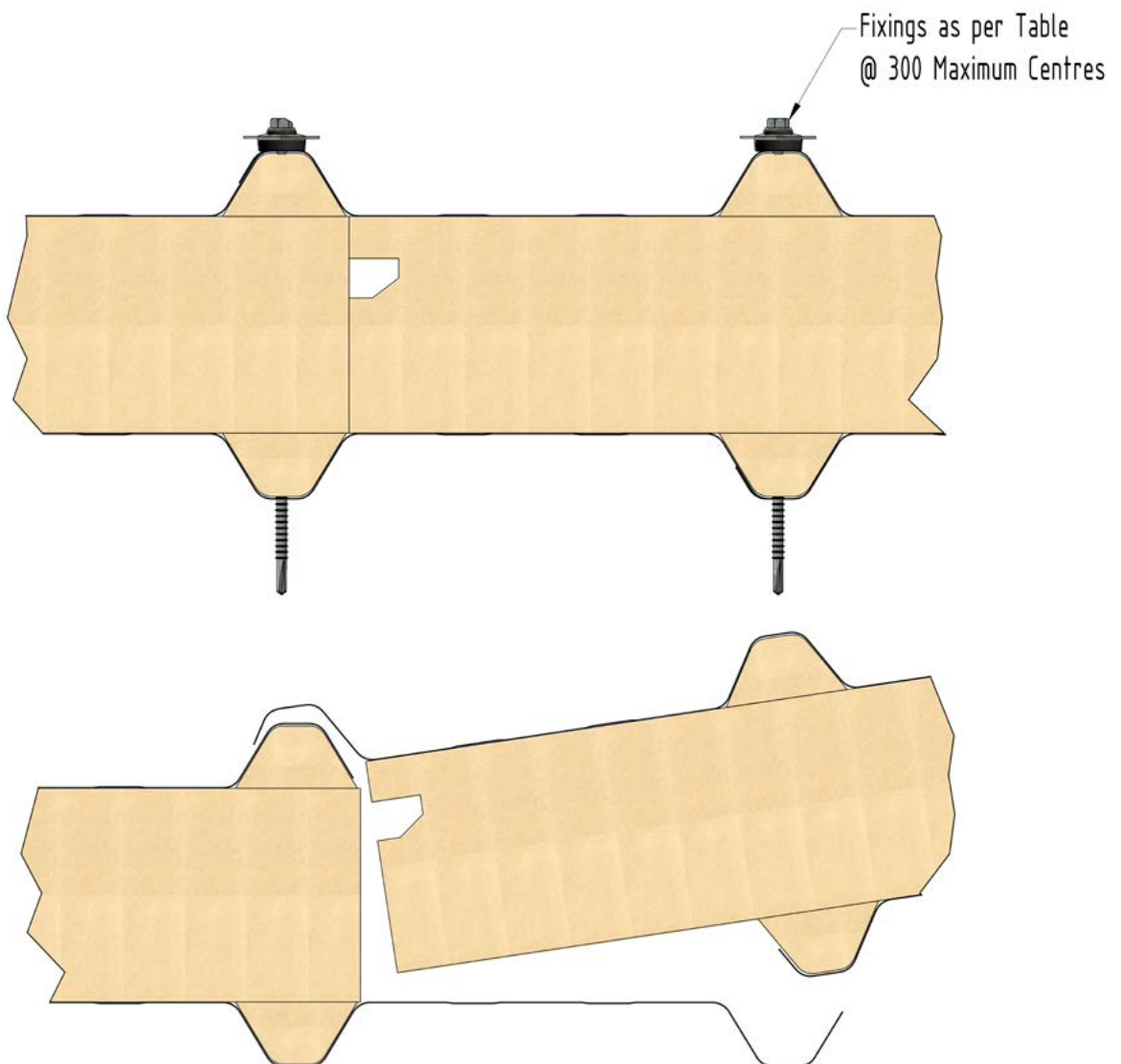
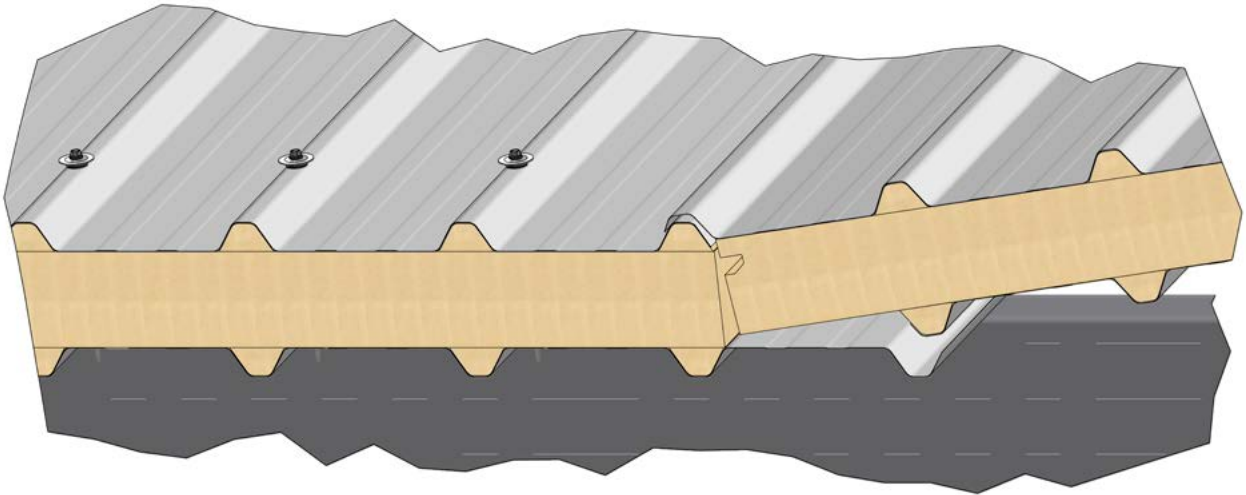
Roof Panel - Standard Connection - DeltaCorroCorro



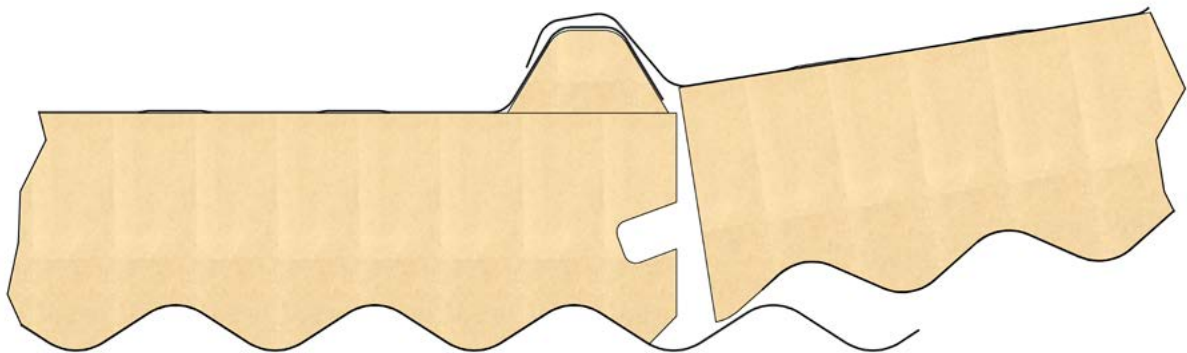
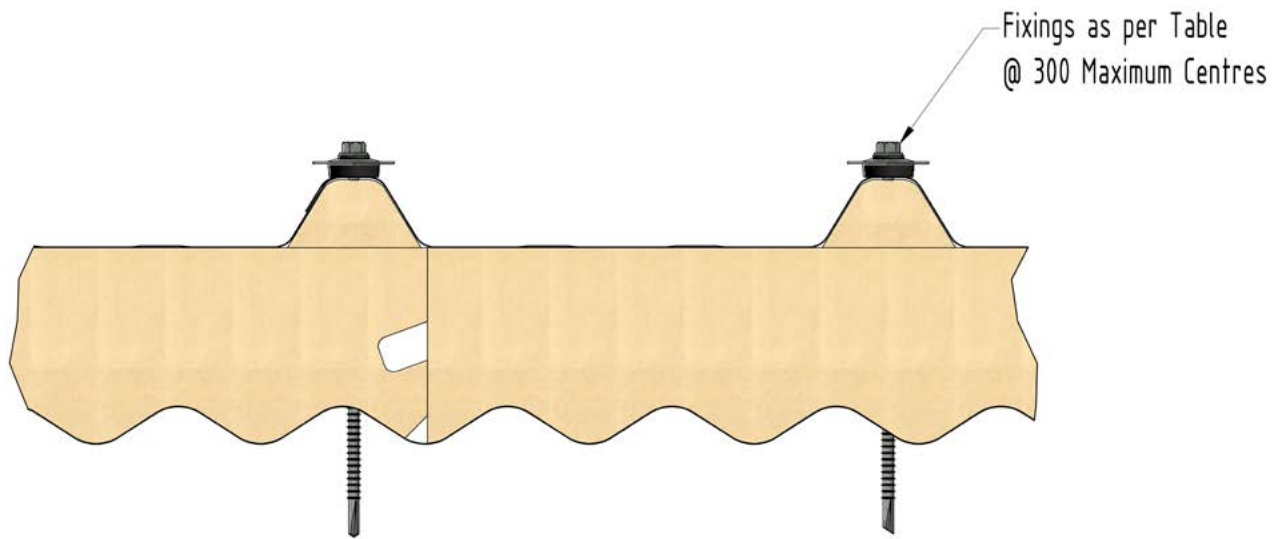
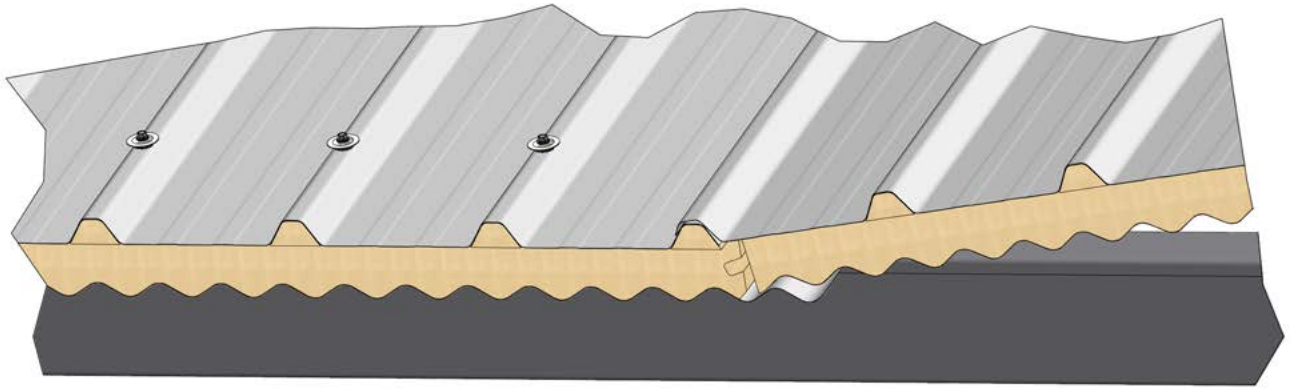
Fixings as per Table
@ 300 Maximum Centres



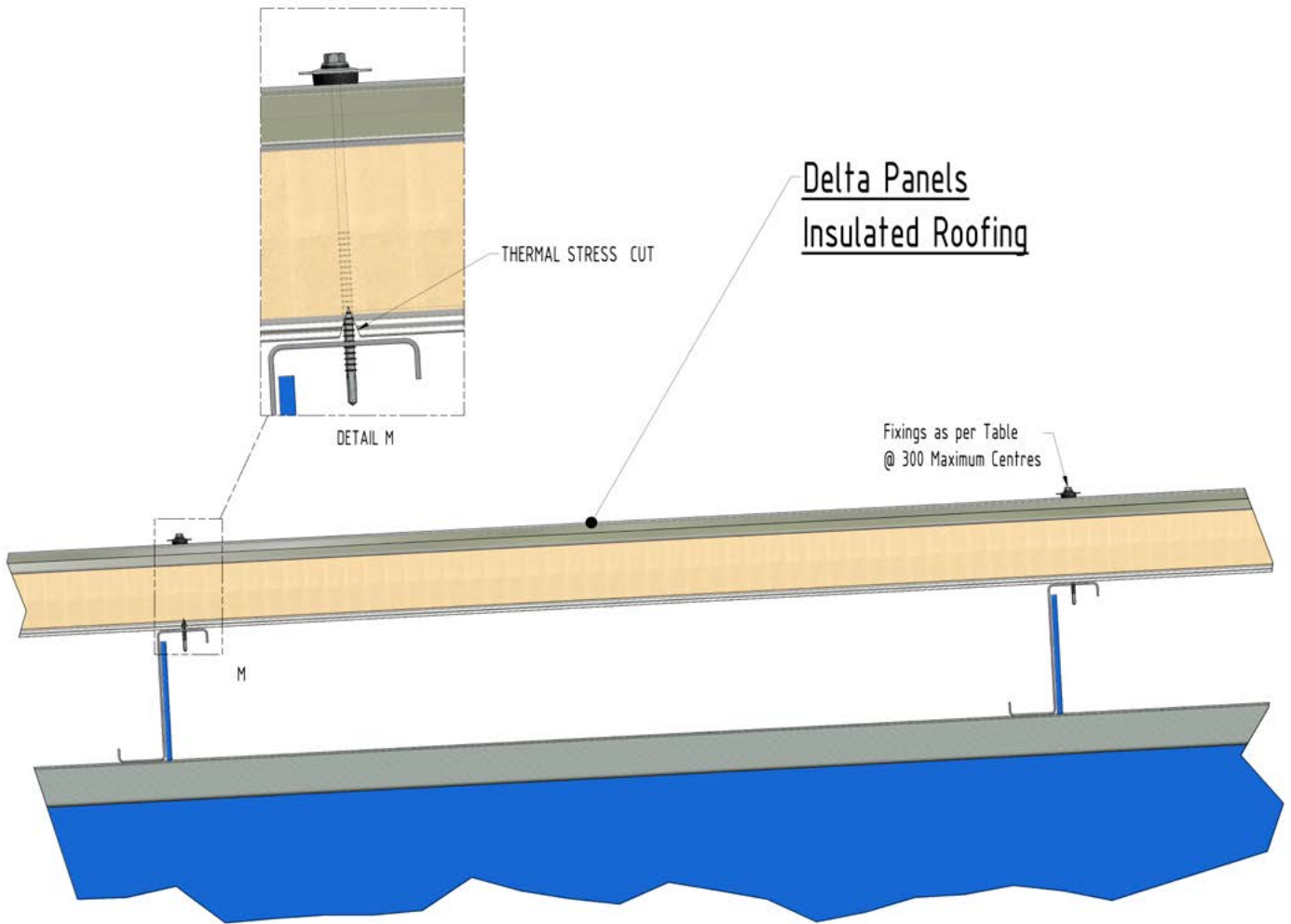
Roof Panel - Standard Connection - DeltaTrimTrim



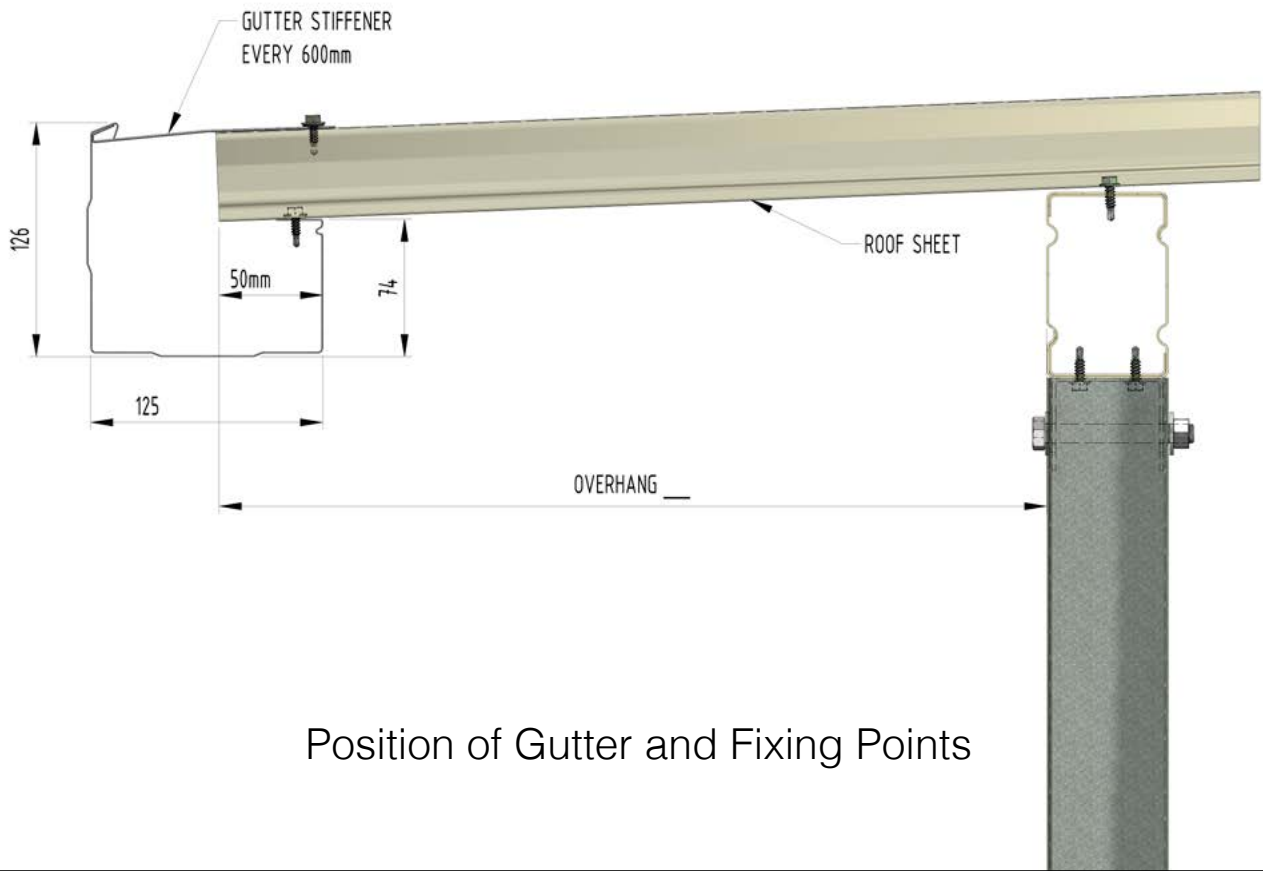
Roof Panel - Standard Connection - DeltaTrimCorro



Roof Panel - Thermal Stress Cut & Fixing

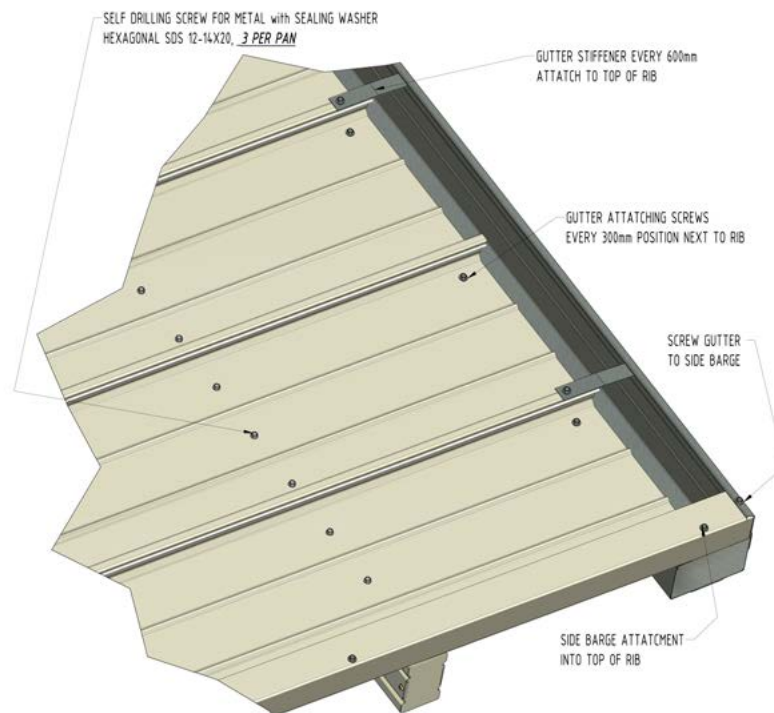


Gutter to Roof Connection - For Overhang Roof

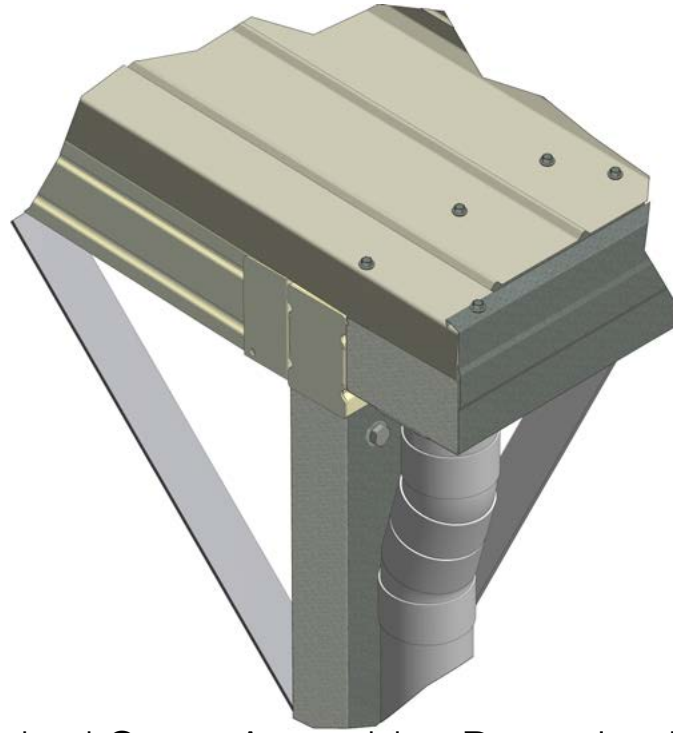


Position of Gutter and Fixing Points

Gutter to Roof Connection - Gutter Attachment



Gutter to Roof Connection - Finished Assembly



Finished Gutter Assembly - Downpipe End

Gutter to Roof Connection - Finished Assembly



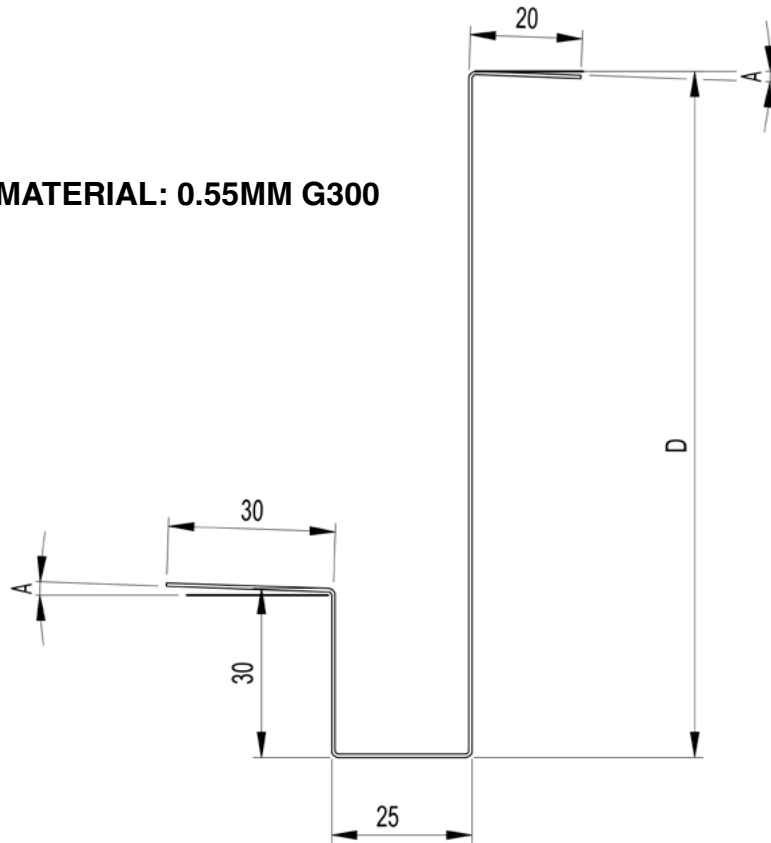
Finished Gutter Assembly - Non-Downpipe End

3 FLASHINGS

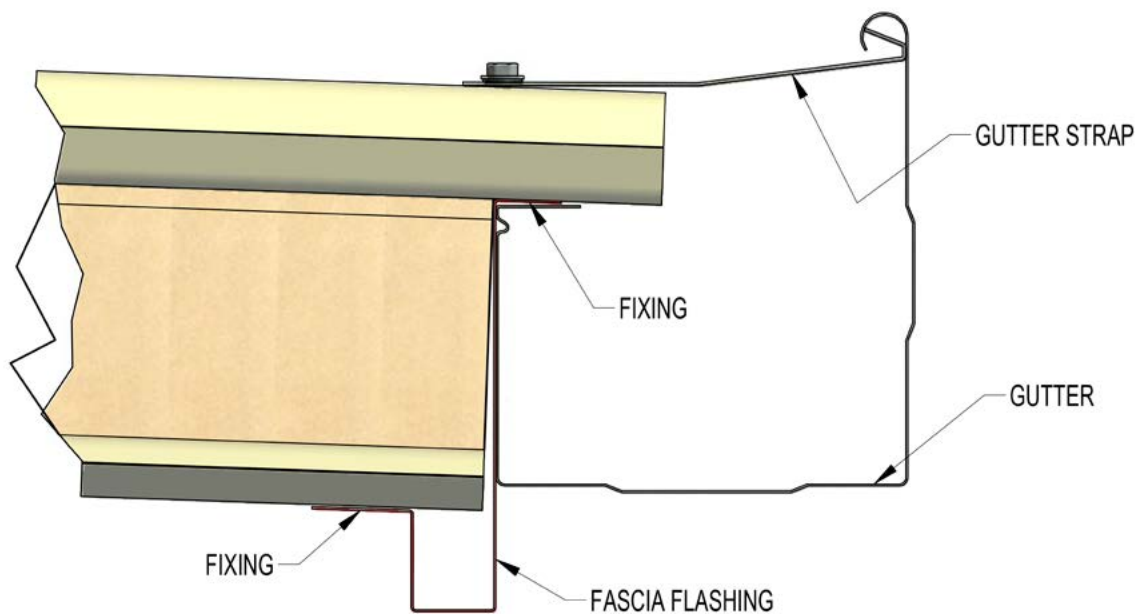
3.2 Connection Details - Gutters

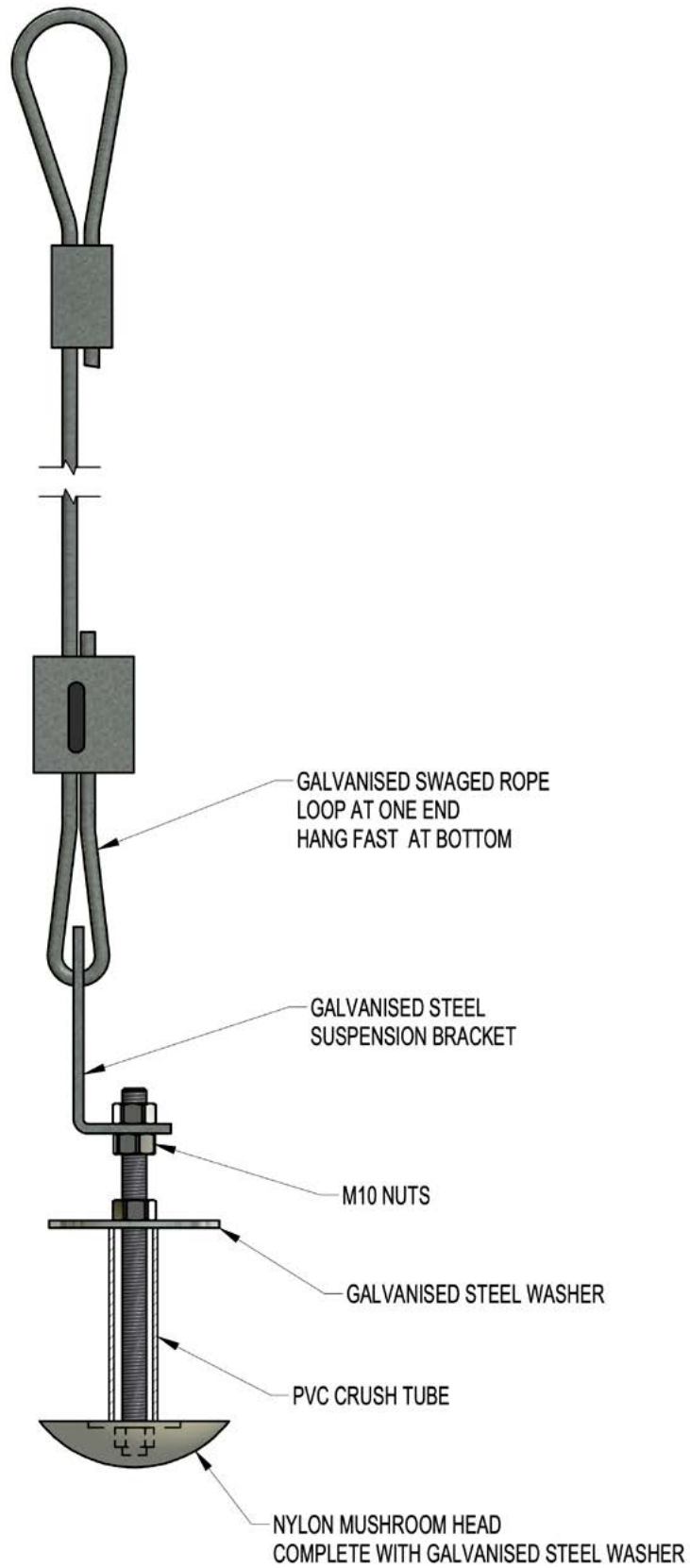
3.2.1 Fascia Flashing

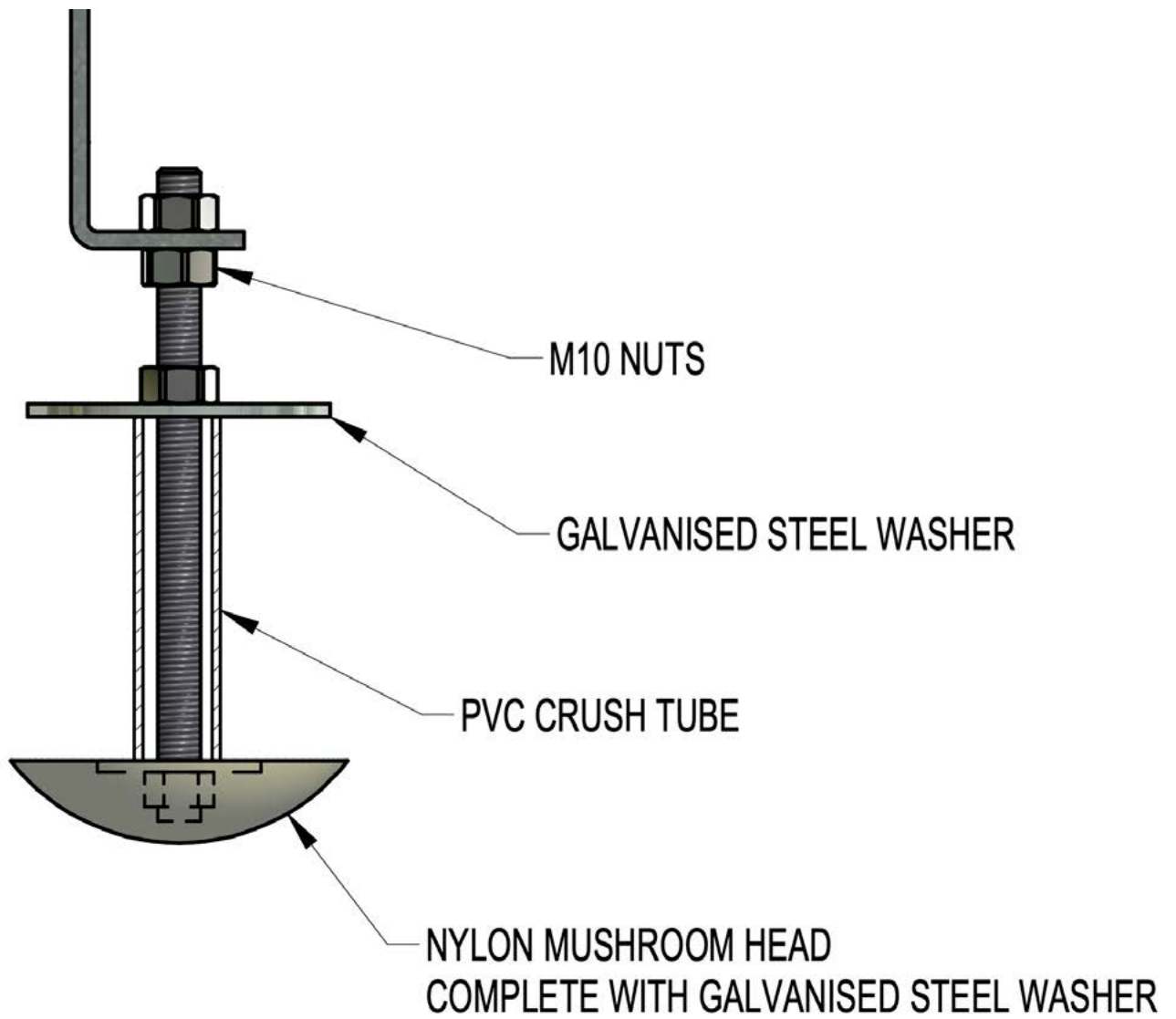
MATERIAL: 0.55MM G300

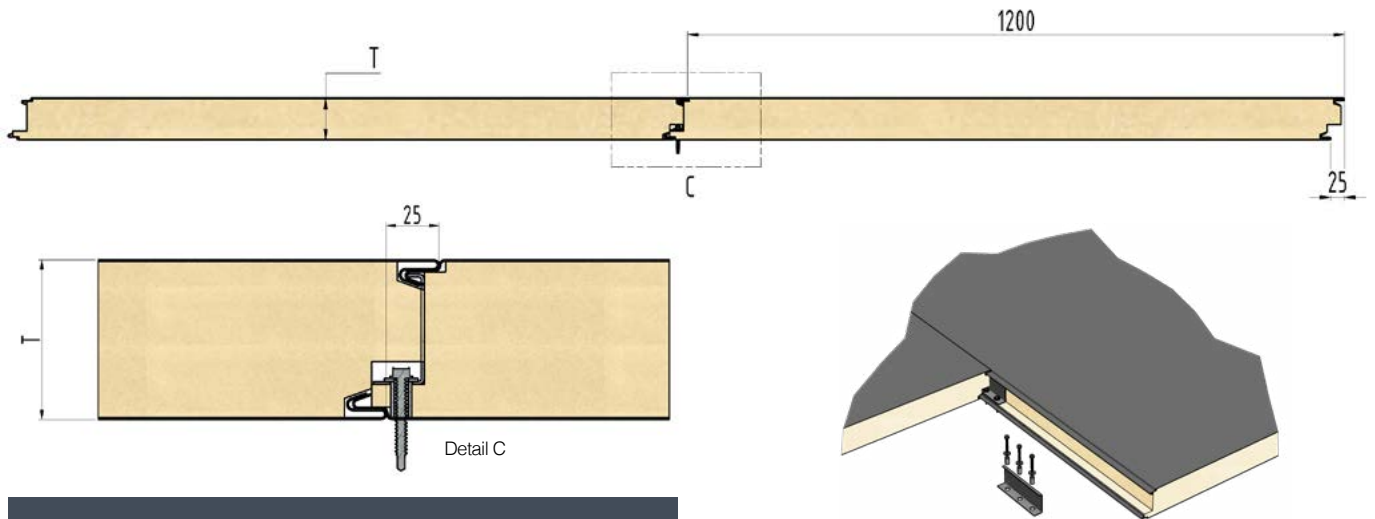


3.2.2 Gutter Connection









0.60mm DeltaSecretFix-EPS-FR Bracing Capacity

Panel Height (m)	2.4	1.2*	4.8*
Kn/m	5.0	10.0	2.5
Bracing Units (BU)	100	200	50

* Figures for 1.2m & 4.8m high panels are extrapolated. It is acceptable to extrapolate Bracing Capacity heights between 1.2m & 4.8m. For heights outside of this dimension range, Diaphragm Analysis is required to establish Bracing Capacity.

Shear Load Transference - Shear load is transferred by rivets into the floor / ground surface or the perpendicular walls, ceiling & roof at a rate of 1.21 kN per 4.0 mm diameter rivet.

Fixing rivets at 200mm centres complies with the 20-minute flame barrier requirements and delivers 14.5 kN of shear capacity transfer per panel (6 on each side) horizontally, and 12.1 kN per metre in vertical joints. Limited by the ability of the panel to transfer the shear.

0.6mm DeltaSecretFix-EPS-FR Wind Pressure (kPa)

Span (mm)	Panel Thickness (mm)							
	50mm	75mm	100mm	125mm	150mm	175mm	200mm	250mm
2000	1.84	2.92	6.11	6.11	7.35	8.01	9.21	11.55
2400	1.42	2.54	5.14	5.14	6.28	6.92	7.92	9.67
3000	0.97	1.86	3.73	3.73	4.93	5.35	6.00	7.65
3600	0.70	1.39	2.68	2.68	3.84	4.28	4.77	6.05
4200	0.51	1.06	1.96	1.96	2.87	3.33	3.79	4.81
4800	0.38	0.81	1.49	1.49	2.19	2.57	2.94	3.67
5400	0.29	0.64	1.17	1.17	1.72	2.02	2.31	2.88
6000	0.22	0.50	0.94	0.94	1.38	1.62	1.86	2.32
6600	0.17	0.39	0.77	0.77	1.14	1.34	1.54	1.91
7200	0.12	0.30	0.64	0.64	0.95	1.13	1.29	1.60
7800	0.09	0.24	0.54	0.54	0.80	0.95	1.10	1.36
8400	0.07	0.19	0.43	0.43	0.69	0.82	0.94	1.17
9000	0.06	0.15	0.35	0.35	0.60	0.71	0.82	1.01
9600	0.05	0.14	0.27	0.37	0.48	0.54	0.66	0.82
10200	0.05	0.13	0.18	0.29	0.39	0.40	0.53	0.68

The above table lists ultimate wind load pressures for strength design and the pressure corresponding to a Span/150 single span deflection for 0.6mm G300 steel skins bonded to a EPS-FR polyisocyanurate core and in accordance with Serviceability Limit State criteria as per AS1170.0 - Table C1. The designer shall determine if Span/150 deflection ratio is appropriate for intended use. Loads for a more stringent deflection ratio can be determined by linearly proportioning the loads provided. Differential thermal effects are not incorporated in the loads provided.

Screw Types

Main Fasteners

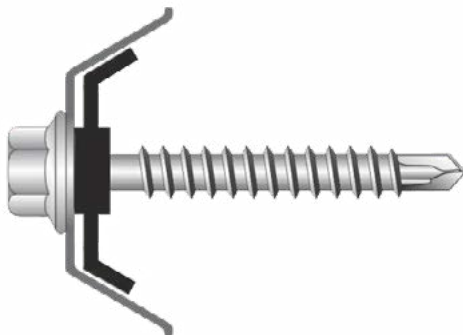
Metal Tek - Fixing | **Fixing into Steel Beams up to 12.5mm**



T17 - Fixing | **Fixing into Timber Beams**

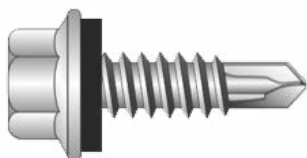


Cyclone Plate and Washer



Secondary Fasteners

Tek M13 x 25mm - Fixing
Stitching Screw



Screw Selection Tables

DeltaTrim™					
Minimum Class 3 - must be HEX Head	Timber Beam	Steel Beam	Minimum Class 3 - must be HEX Head	Timber Beam	Steel Beam
50mm	125mm	135mm	150mm	230mm	230mm
75mm	150mm	150mm	175mm	265mm	260mm
100mm	175mm	175mm	200mm	300mm	260mm
125mm	200mm	200mm			

DeltaOrb™					
Minimum Class 3 - must be HEX Head	Timber Beam	Steel Beam	Minimum Class 3 - must be HEX Head	Timber Beam	Steel Beam
50mm	125mm	115mm	150mm	230mm	200mm
75mm	150mm	135mm	175mm	265mm	230mm
100mm	175mm	150mm	200mm	300mm	260mm
125mm	200mm	175mm			

DeltaCorroCorro™					
Minimum Class 3 - must be HEX Head	Timber Beam	Steel Beam	Minimum Class 3 - must be HEX Head	Timber Beam	Steel Beam
75mm	125mm	115mm	175mm	230mm	200mm
100mm	150mm	135mm	200mm	265mm	230mm
125mm	175mm	150mm	225mm	265mm	260mm
150mm	200mm	175mm	250mm	300mm	300mm

DeltaTrimTrim™					
Minimum Class 3 - must be HEX Head	Timber Beam	Steel Beam	Minimum Class 3 - must be HEX Head	Timber Beam	Steel Beam
75mm	200mm	200mm	150mm	265mm	260mm
100mm	230mm	230mm	175mm	300mm	300mm
125mm	230mm	230mm	200mm	300mm	300mm

DeltaTrimCorro™					
Minimum Class 3 - must be HEX Head	Timber Beam	Steel Beam	Minimum Class 3 - must be HEX Head	Timber Beam	Steel Beam
75mm	175mm	175mm	150mm	265mm	260mm
100mm	200mm	200mm	175mm	300mm	300mm
125mm	230mm	230mm	200mm	300mm	300mm



Delta Panels™ Pty Ltd is committed to an ongoing programme of product research and development and reserves the right to update and amend information without prior notice. Reasonable care has been taken to ensure that all published information is correct and accurately reflects the properties of our products and their design applications at the time of publication. However these are a general guide only, it is the customers responsibility to ensure that all products and their stated applications are fit for purpose and complies with all relevant statutory requirements. To ensure that you keep abreast of all updates in our product range, all current reference material are available on our web page for downloading.

All information contained within this document is subject to Copyright and may not be copied without the express permission of Delta Panels™ Pty Ltd.

Delta Panels™, DeltaSpan™, DeltaTrim™, DeltaOrb™, DeltaCorroCorro™, DeltaTrimTrim™, DeltaTrimCorro™, DeltaLowProfile™ & DeltaPanelLight™ are registered trademarks of Delta Panels™ Pty Ltd.