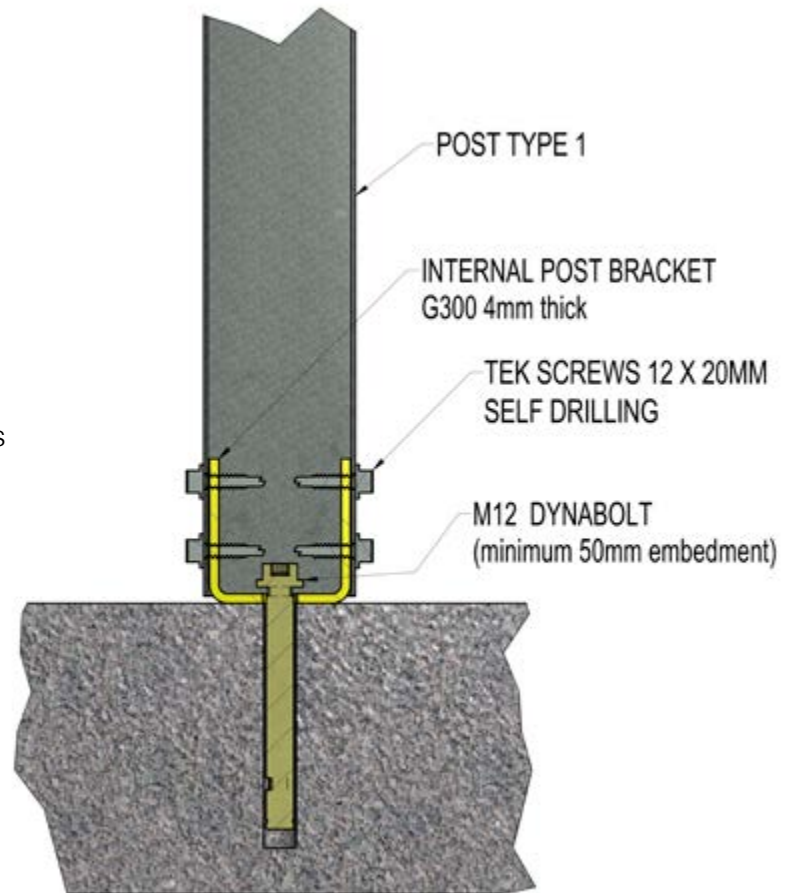


## TYPE 1A POST KIT

### Type 1A - 65 x 1.6 SHS GAL

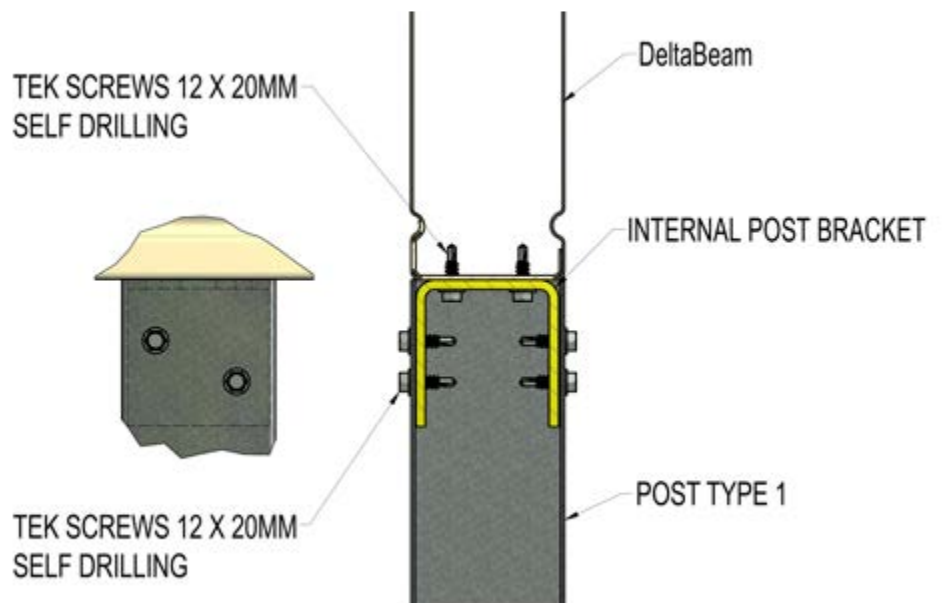
#### Base Plate

- 1 x G300 4mm thick Internal Bracket
- 1 x M12 Gal Concrete fixing to footing
- 4 x 12g x 20mm Self Drilling Steel screws



#### Post to Beam

- 1 x G300 4mm thick Internal Bracket
- 6 x 12g x 20mm Self Drilling Steel Screws



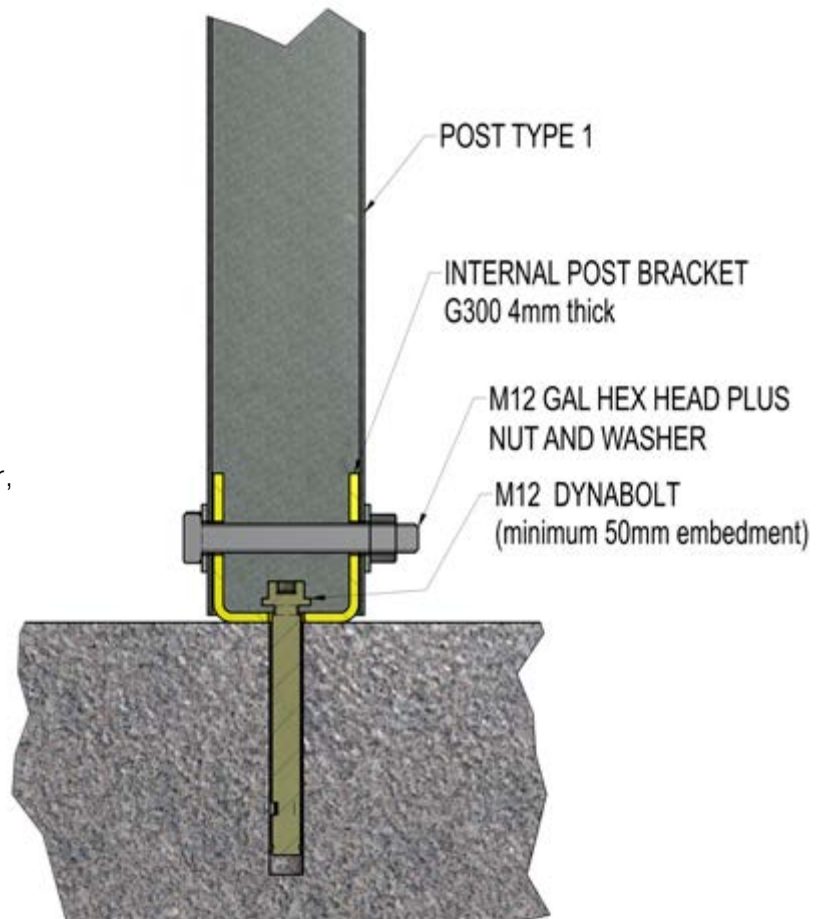
Version Date: 19.05.2021

## TYPE 1B POST KIT

### Type 1B - 65 x 1.6 SHS GAL

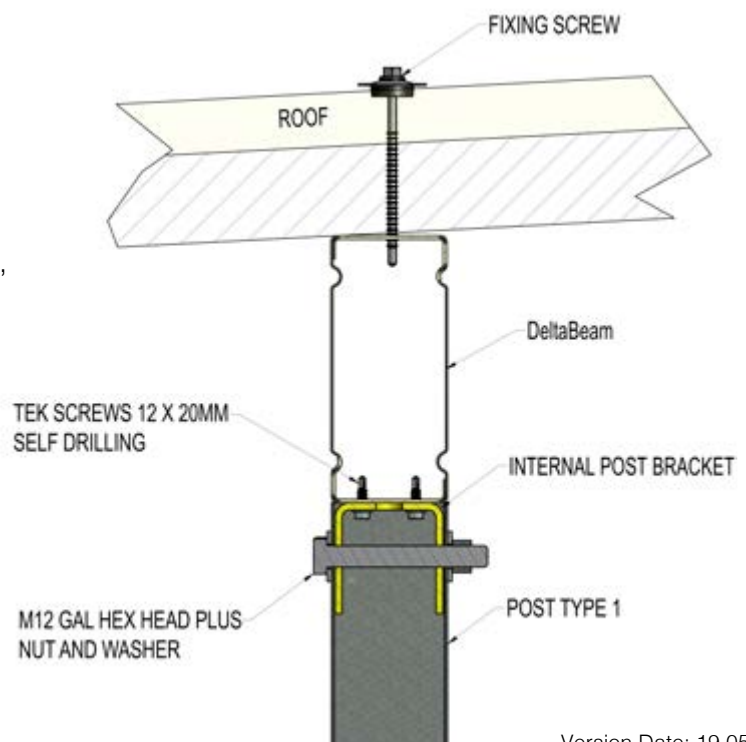
#### Base Plate

- 1 x G300 4mm thick Internal Bracket
- 1 x M12 Gal Concrete fixing to footing
- 1 x M12 Gal Hex Head Bolt/Nut/Washer, post to bracket



#### Post to Beam

- 1 x G300 4mm thick Internal Bracket
- 1 x M12 Gal Hex Head Bolt/Nut/Washer, post to bracket
- 2 x 12g x 20mm Self Drilling Steel Screws



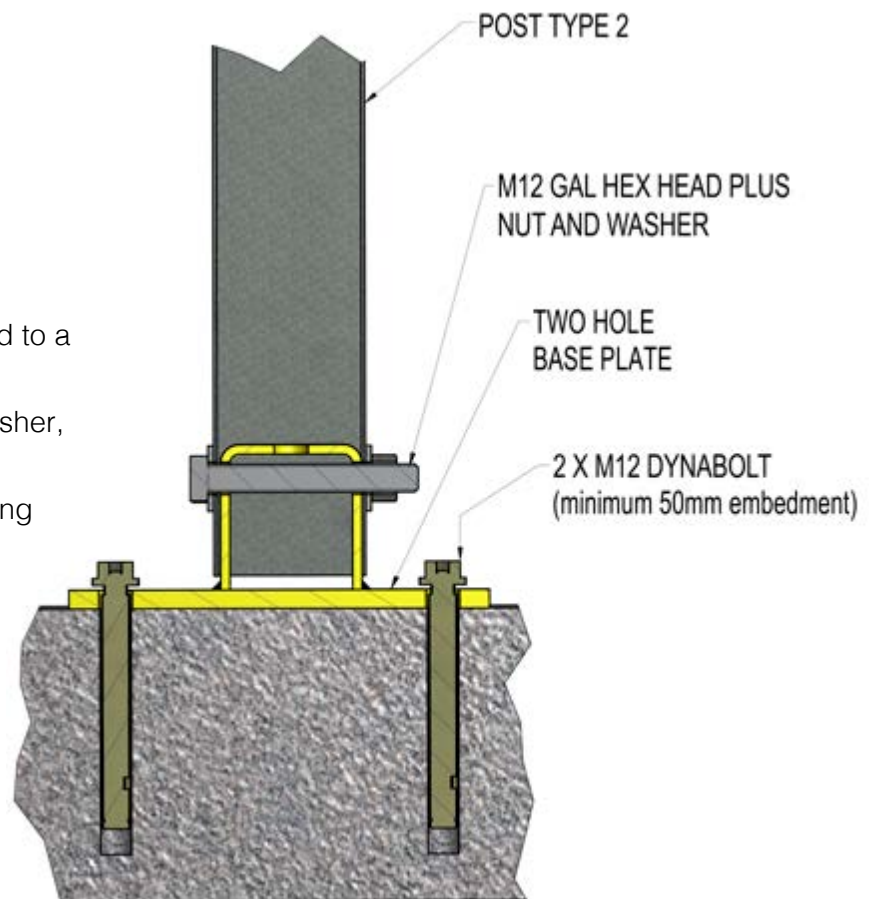
Version Date: 19.05.2021

## TYPE 2A POST KIT EXTERNAL BASE PLATE

### Type 2A - 65 x 1.6 SHS GAL

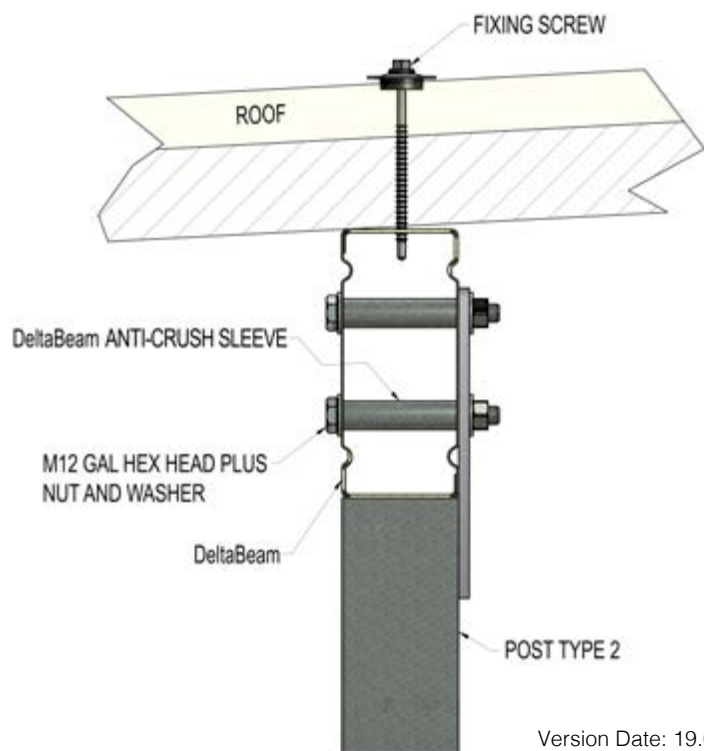
#### Base Plate

- 1 x G300 4mm thick Bracket welded to a 4mm CFW Base Plate
- 1 x M12 Gal Hex Head Bolt/Nut/Washer, post to bracket
- 2 x M12 Gal Concrete fixing to footing



#### Post to Beam

- 2 x M12 Gal Hex Head Bolt/Nut/Washer, post to bracket
- 2 x Anti-crush sleeve



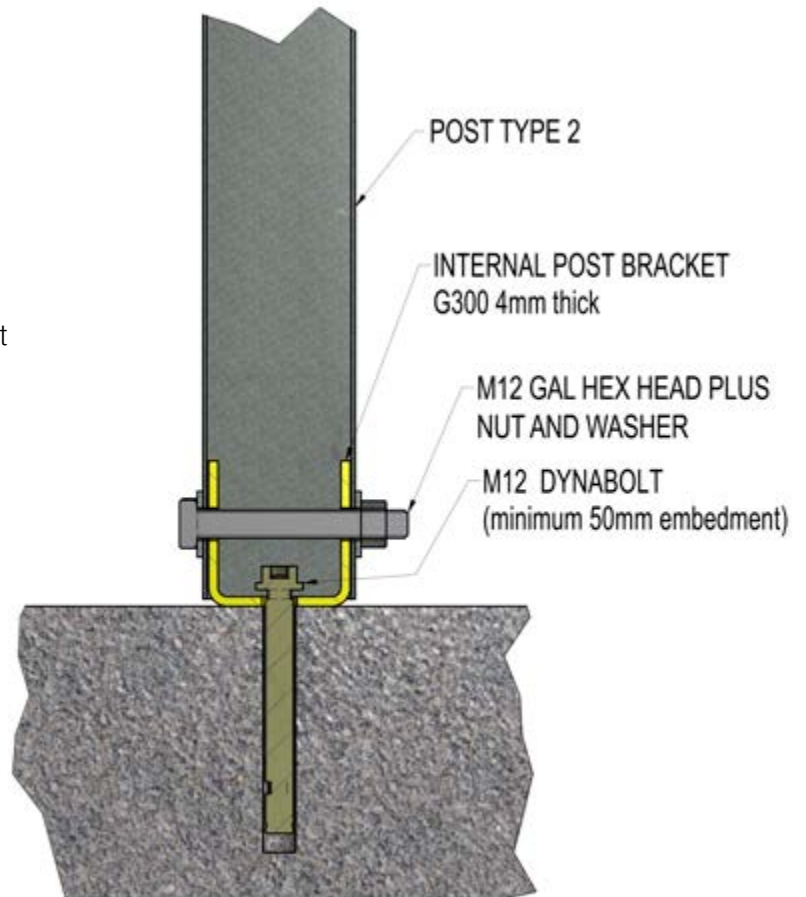
Version Date: 19.05.2021

## TYPE 2B POST KIT INTERNAL POST BRACKET

### Type 2B - 65 x 1.6 SHS GAL

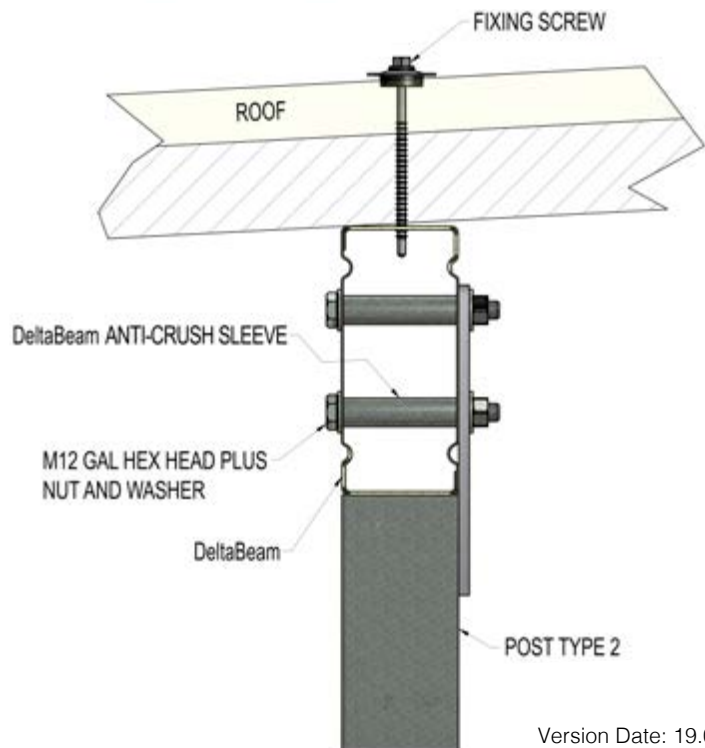
#### Base Plate

- 1 x G300 4mm thick Internal Post Bracket
- 1 x M12 Gal Concrete fixing to footing
- 1 x M12 Gal Hex Head Bolt/Nut/Washer, post to bracket



#### Post to Beam

- 2 x M12 Gal Hex Head Bolt/Nut/Washer, post to bracket
- 2 x Anti-crush sleeve



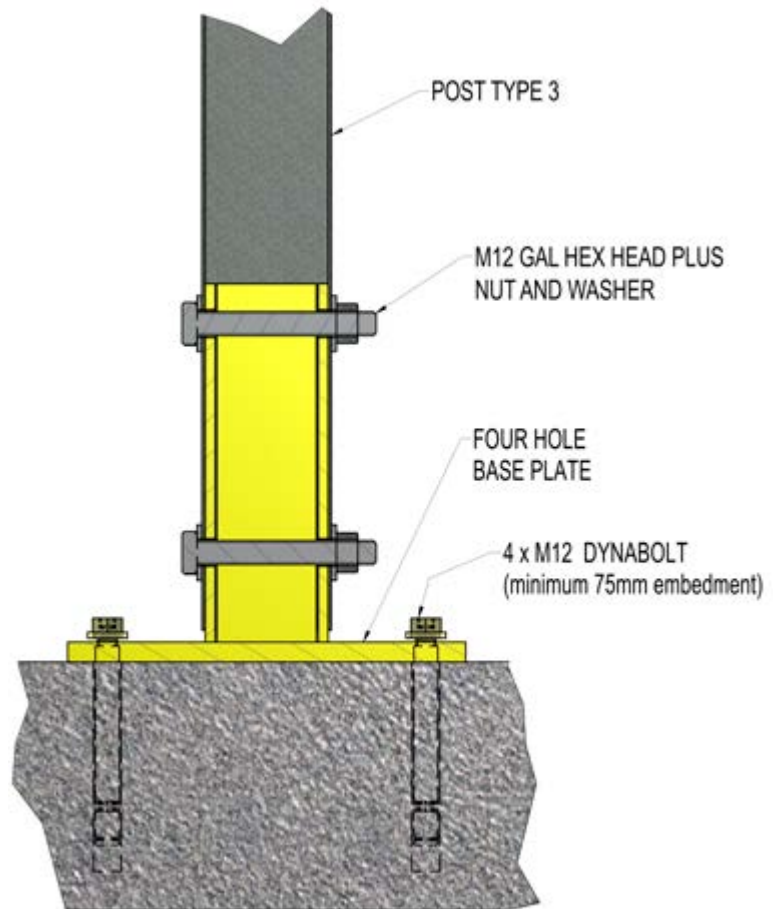
Version Date: 19.05.2021

## TYPE 3 POST KIT

### Type 3 - 100 x 2.5 SHS GAL

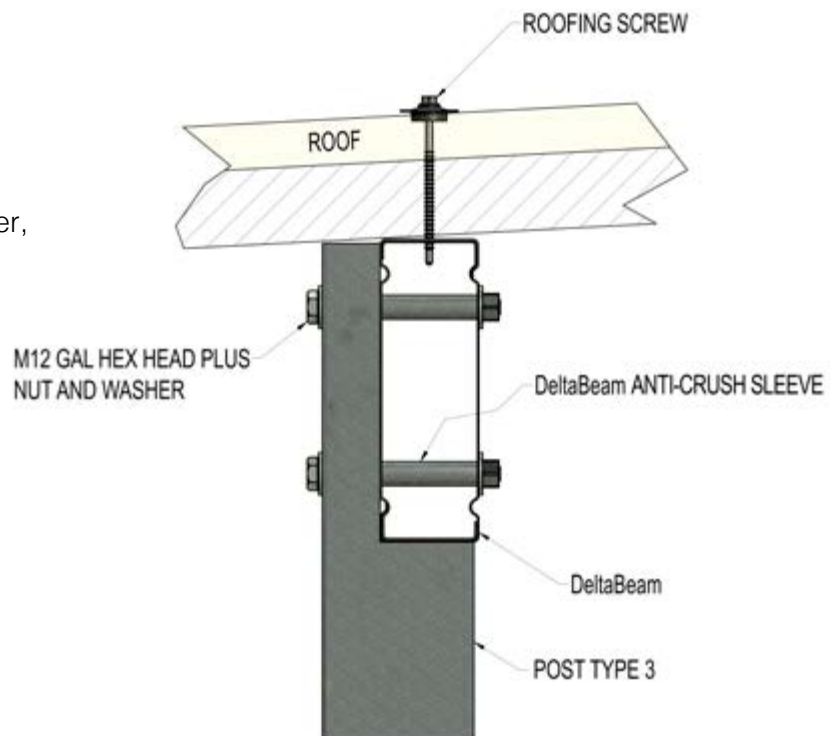
#### Base Plate

- 1 x 4mm CFW thick Base Plate with welded G300 4mm thick upright support angles
- 2 x M12 Gal Hex Head Bolt/Nut/Washer, post to bracket
- 4 x M12 Gal Concrete fixing to footing



#### Post to Beam

- 2 x M12 Gal Hex Head Bolt/Nut/Washer, post to bracket
- 2 x Anti-crush sleeve



Version Date: 19.05.2021