

## PRODUCT FEATURES

- Available in 2 different configurations to suit DeltaTrim™ & DeltaOrb™
- Conforms to the Australian Standards, AS 1562.3-2006 & AS 4256.5-2006
- Covered by Australian Patent No. 2017298014
- Remote Controller
- Low Voltage LED driver
- Written 12 month Warranty
- A range of light colours available
- Dimmable
- SAA approved electrical components
- No loose hanging wires and unsightly brackets

## DESIGN NOTES

- DeltaSkylights™ when installed requires at least one panel installed on either side.
- DeltaSkylights™ can be installed with and without the LED light strips.
- All DeltaSkylight™ kits come fully assembled and ready for installation.
- DeltaSkylights™ must be at least one full panel width from each end of the structure
- The range of DeltaSkylights™ are designed to be used in open outdoor patio, awning and carport installations. They are not designed for domestic or commercial roofing applications
- DeltaSkylights™ are deemed as non-trafficable and stepping on or near the skylight assemblies should be avoided
- The spanning capacity of the range of Delta Panels™ is reduced by 15% when DeltaSkylights™ are installed within the structure
- The Skylights are fitted during the installation of the Delta Panels™ and need to conform to the following installation procedures.

## PANEL LAYOUT CONFIGURATION

**With at least one full Delta Panel installed on either side**

**Configuration options: -**



The DeltaSkylights™ are able to be fitted to Delta Trim™ & DeltaOrb™ Roofing panels ranging from 50mm -250mm in thickness.



## SAFETY

- When the DeltaLum™ LED lights are installed in conjunction with the DeltaSkylight™ System, please ensure all installation procedures comply with Australian Wiring Rules AS/NZS 3000-2018.
- **PROTECT YOURSELF!** Before installing, please read the DeltaLum™ LED Light & Safety Installation Instructions carefully.

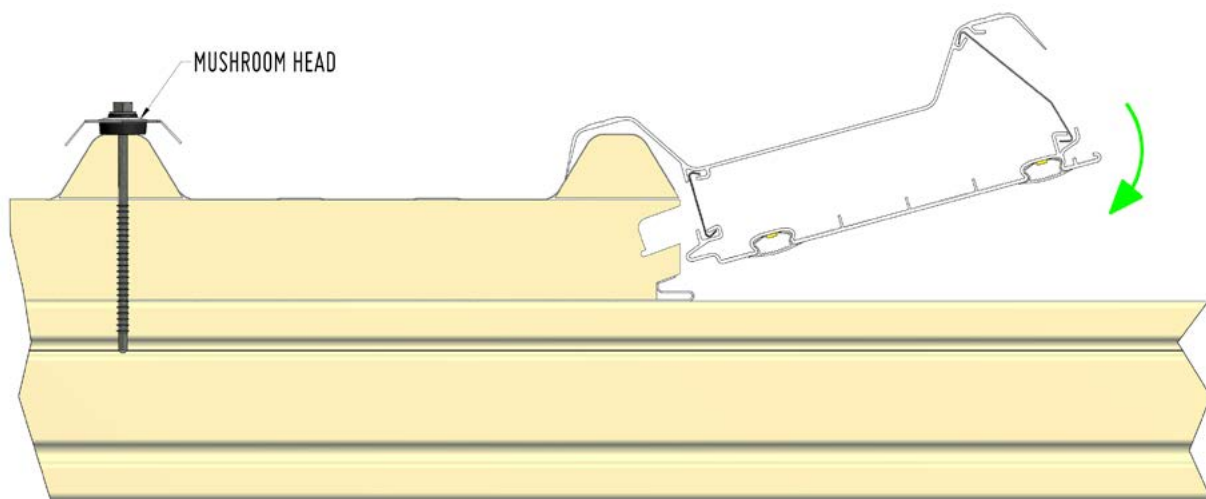
## RECOMMENDED INSTALLATION STEPS

### DELTATRIM™ - SKYLIGHT WITHOUT LED LIGHT

#### Step 1. - Attach the Skylight Assembly to the Fixed Roof Panel

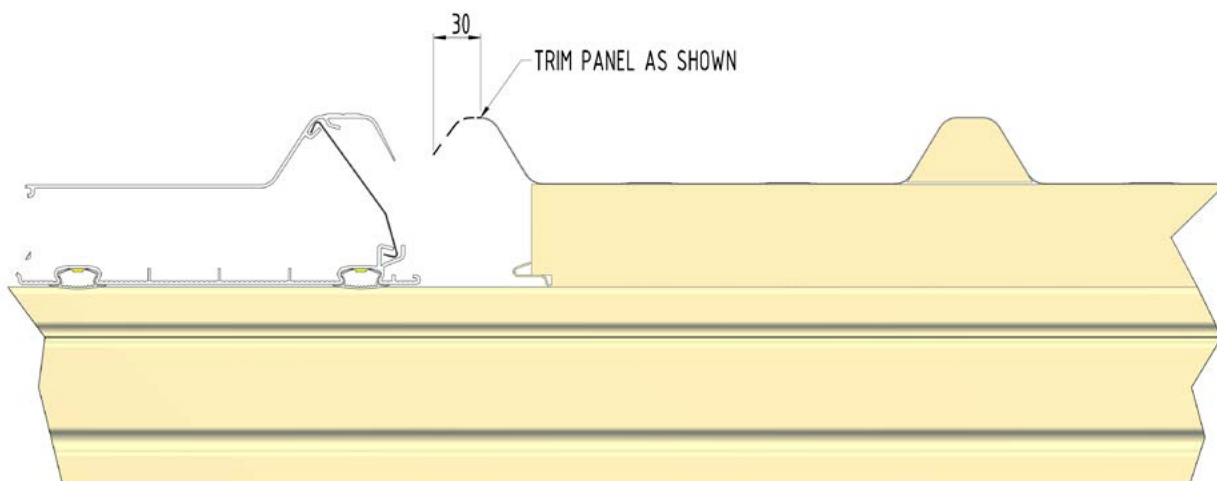
Fix the DeltaTrim™ Panel to the structural framework as per Delta Panels recommended installation procedures outlined in the Engineering manuals.

Then engage the DeltaTrim™ Skylight assembly by overlapping the top of the skylight assembly and then positioning the male bottom section into the female roll formed receiver on the under-skin of the DeltaTrim™ panel.



#### Step 2. - Trim the next Roof Panel

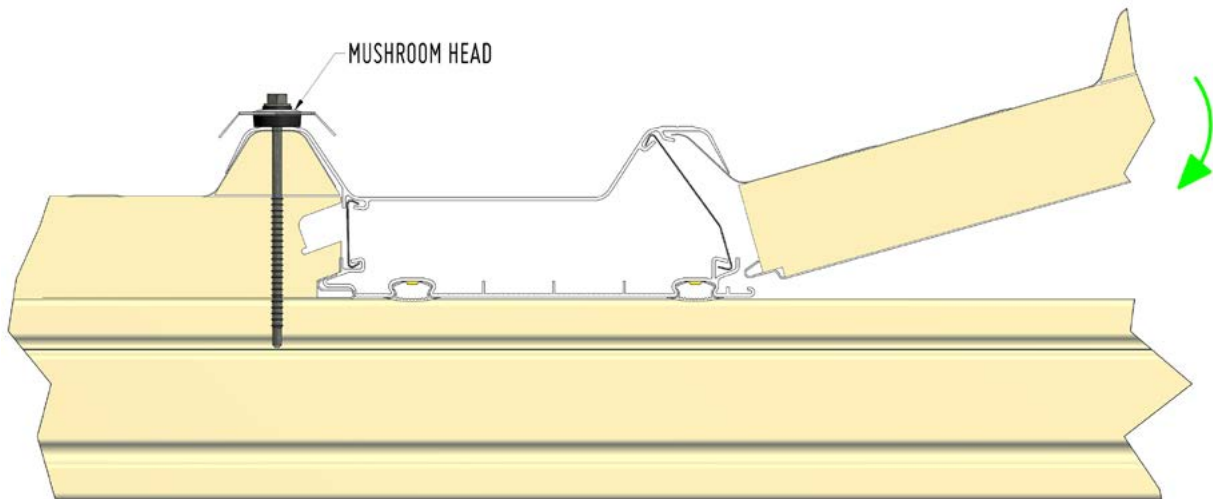
Prior to engaging the next DeltaTrim™ roof panel it is necessary to trim back the top skin overlap by 30mm. This is necessary so that this trimmed section then can fit under the overlap of the Skylight assembly to create a complete weather seal.



## DELTATRIM™ - SKYLIGHT WITHOUT LED LIGHT

### Step 3. - Attach the next Roof Panel

Then engage the DeltaTrim™ Skylight assembly by overlapping the top of the skylight assembly and then positioning the male bottom section under-skin of the DeltaTrim™ panel into the female roll formed receiver of the Skylight assembly



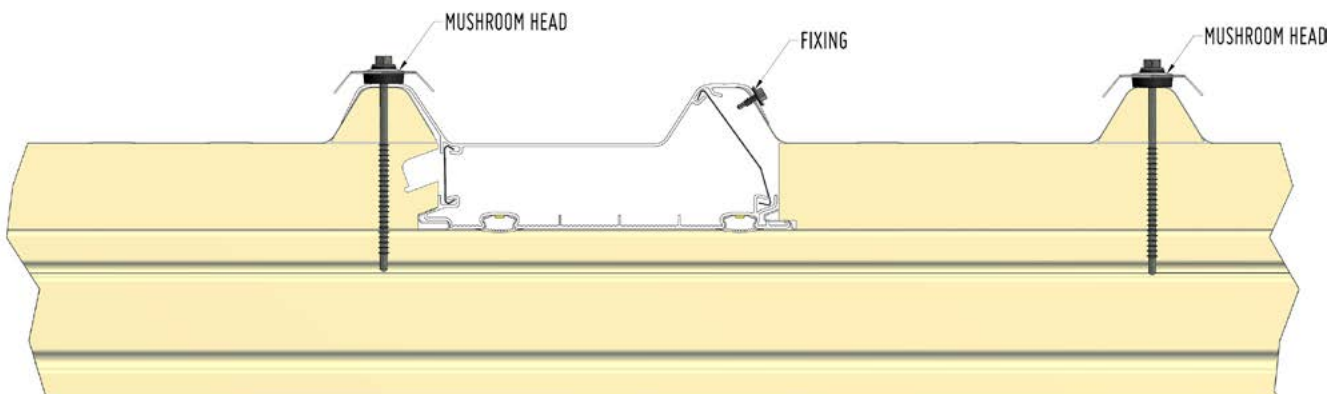
### Step 4. - Attach Fixings

Now side fixings are to be placed through the Skylight Assembly into the overlap skin on the panel to ensure a tight weather seal.

**PLEASE NOTE - That the two overlap sides of the Skylight Assembly both sit on top of the adjacent roof panels.**

All DeltaTrim™ Panels should now be fixed as per the recommended installation procedures outlined in the Engineering manuals.

### Final Assembly



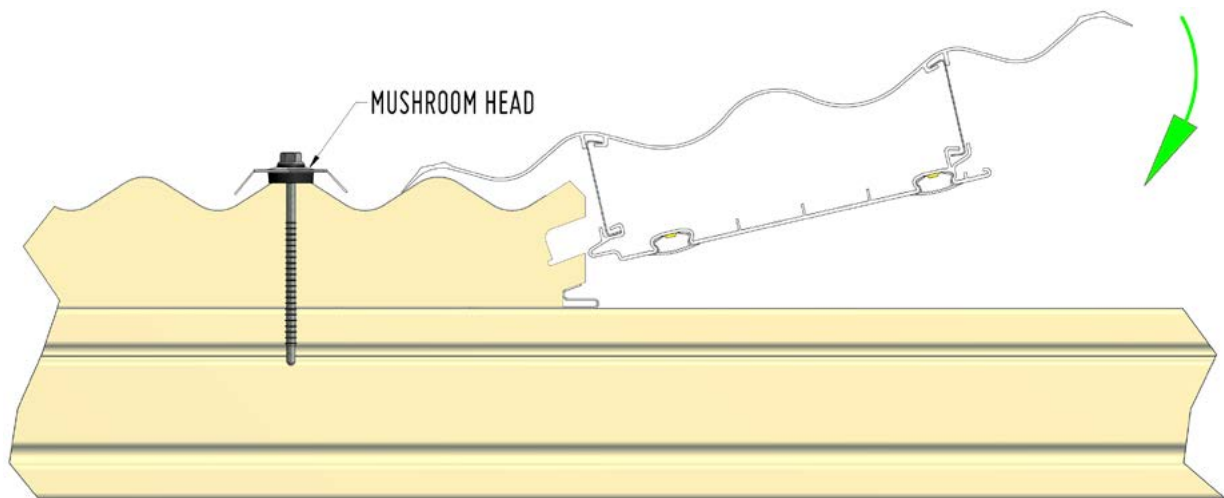
## RECOMMENDED INSTALLATION STEPS

### DELTAORB™ - SKYLIGHT WITHOUT LED LIGHT

#### Step 1. - Attach the Skylight Assembly to the Fixed Roof Panel.

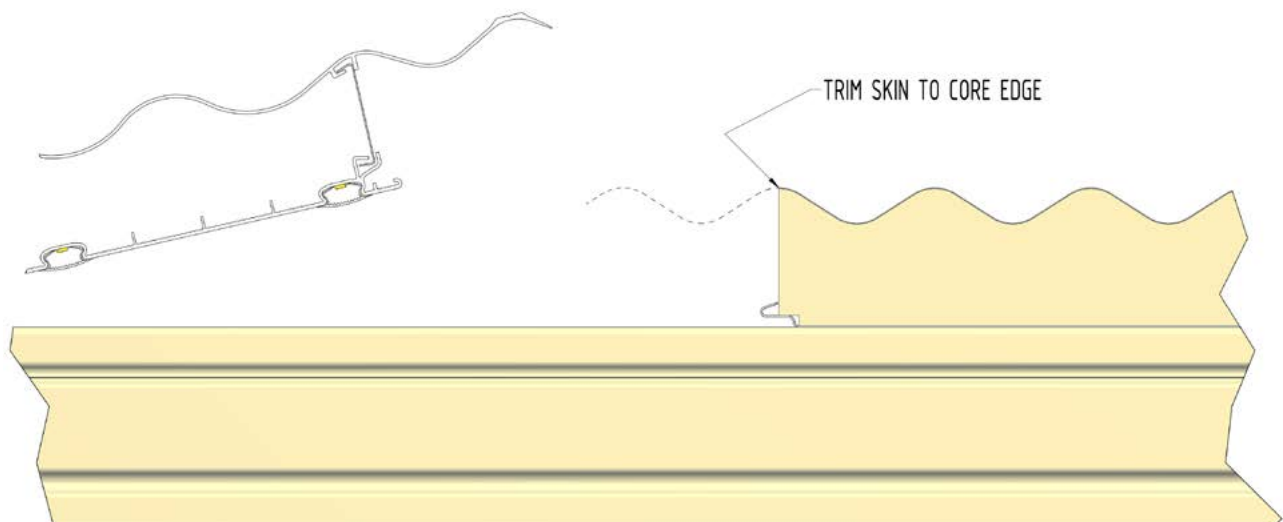
Fix the DeltaOrb™ Panel to the structural framework as per Delta Panels recommended installation procedures outlined in the Engineering manuals.

Then engage the DeltaOrb™ Skylight assembly by overlapping the top of the skylight assembly and then positioning the male bottom section into the female roll formed receiver on the under-skin of the DeltaOrb™ panel.



#### Step 2. – Trim the next Roof Panel

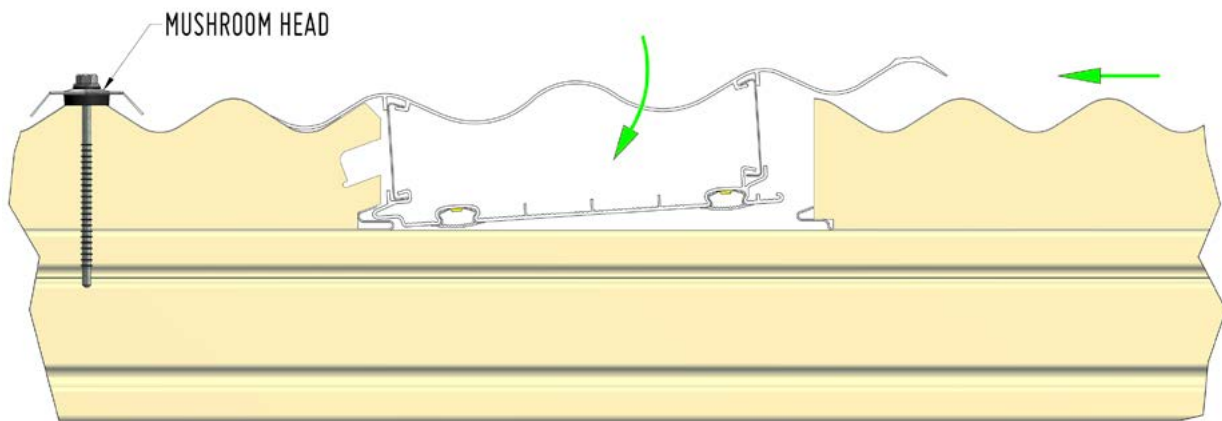
Prior to engaging the next DeltaOrb™ roof panel it is necessary to trim back the top skin flush to the edge of the insulation core. This is necessary so that this trimmed section will fit under the overlap of the Skylight assembly to create a complete weather seal.



## DELTAORB™ - SKYLIGHT WITHOUT LED LIGHT

### Step 3 - Attach the next Roof Panel

Then engage the DeltaOrb™ Skylight assembly by overlapping the top of the skylight assembly and then positioning the male bottom section under-skin of the DeltaOrb™ panel into the female roll formed receiver of the Skylight assembly



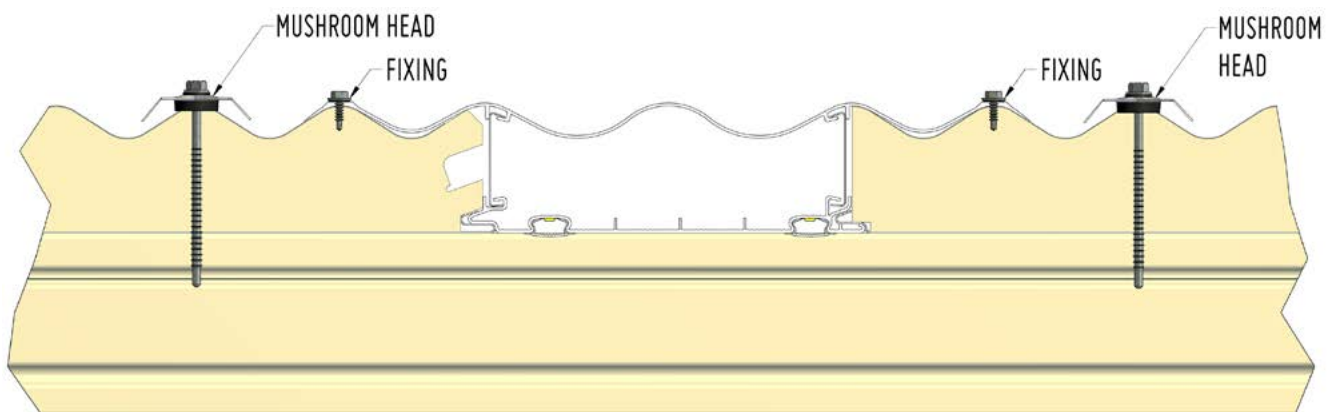
### Step 4. – Attach Fixings

Fixings are to be placed through the Skylight Assembly into the top skin on the DeltaOrb™ panel to ensure a tight weather seal.

**PLEASE NOTE – That the two overlap sides of the Skylight Assembly both sit on top of the adjacent roof panels.**

All DeltaOrb™ Panels should now be fixed as per the recommended installation procedures outlined in the Engineering manuals.

### Final Assembly



## IMPORTANT SAFETY INSTRUCTIONS DELTAPANEL LED LIGHT™ INSTALLATION

When the DeltaLum™ LED Lights are installed with the DeltaSkylight™ system, please ensure that all installation procedures comply with Australian Wiring Rules AS/NZS 3000:2018

**PROTECT YOURSELF : CAREFULLY READ AND FOLLOW ALL SAFETY INSTRUCTIONS. SAVE THESE INSTRUCTIONS AND DELIVER THEM TO THE OWNER AFTER THE INSTALLATION IS FULLY COMPLETED FOR FUTURE REFERENCE.**

- To reduce the risk of death, personal injury or property damage from fire, electric shock, falling components and cuts and abrasions please read all warnings and instructions included with and on the fixture box and attached product labels.
- Before installing, servicing, or performing any maintenance upon these products please follow these general precautions.
- As the LED components are all low voltage they do not require a qualified licensed electrician to install them. However a duly qualified licensed electrician will be required to install the GPO outlet into which the 3-point-plug that the LED Driver will be connected to.
- All wiring procedures to comply with Australian Wiring Rules AS/NZ3000
- Any maintenance should be performed by persons familiar with the LED light system's constructions. Regular maintenance is recommended.
- Regular Cleaning - It will be necessary to occasionally clean the outside of the lens. The frequency of cleaning will depend on the ambient dirt level based on the dustiness of the surrounding environment. A warm solution using a mild non-abrasive household detergent should be used. Then rinsed with clean water and wiped dry.
- These instructions do not purport to cover all details or to provide every possible contingency concerning, installation, operations and maintenance. Should any further information be required please contact Delta Panels Pty Ltd at [info@deltapanel.com](mailto:info@deltapanel.com)



### DO NOT INSTALL DAMAGED PRODUCT

- This lighting system has been pre-tested and packed properly so that no parts should be damaged during transit.
- Please inspect to confirm all parts are received in good working order.
- Any parts damaged or broken during or after assembly should be replaced.



### WARNING RISK OF ELECTRIC SHOCK

- Disconnect or turn off power before installation or servicing.
- Do not operate the LED driver if the DeltaLum™ LED Light is not connected.



### CAUTION RISK OF INJURY

- Wear the required PPE (Gloves & Safety Glasses) at all times when installing, servicing or performing maintenance.
- Avoid direct eye contact with the DeltaLum™ LED Light when it is operating.



### WARNING RISK OF BURN

- Allow the DeltaLum™ LED Light to cool before handling.
- Do not touch the enclosure or light source.
- Do not exceed the maximum wattage marked on the product's labels.



### CAUTION RISK OF FIRE

- Keep combustible and other materials that can burn away from the DeltaLum™ LED Light.
- The maximum operating temperature must not exceed 85°C, do not operate at a temperature higher than this.



### CAUTION RISK OF PRODUCT DAMAGE

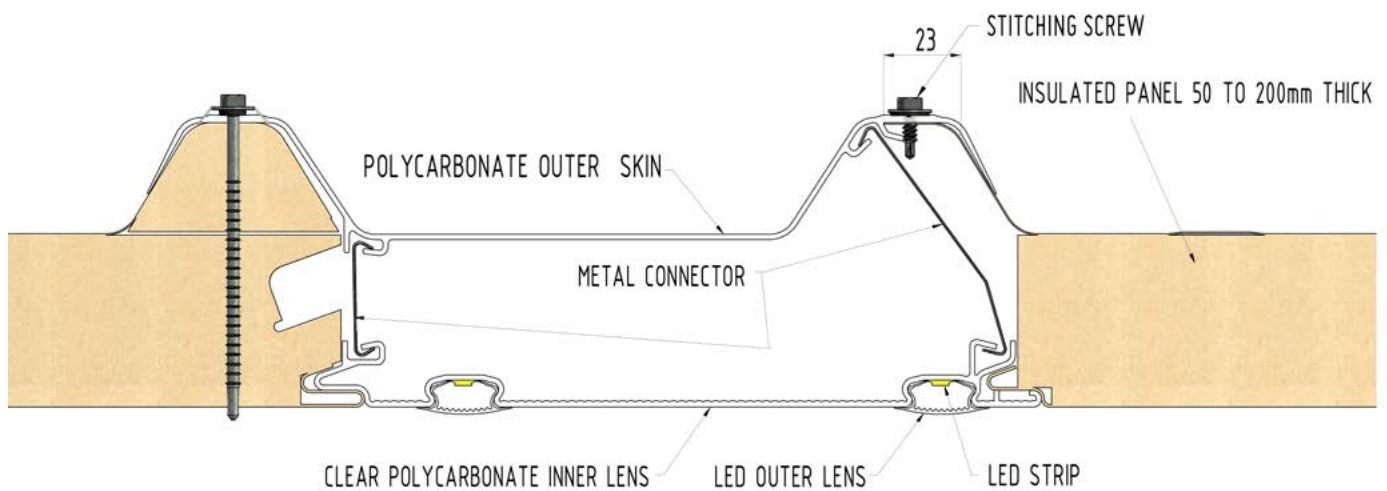
- Never connect components under load.
- Do not mount or install any product in a manner that can cut the outer jacket or damage the wire insulation.
- If connecting to a dimmer ensure that the dimmer is compatible with the information specifically recommended for the DeltaLum™ LED Light.
- Do not install any component that has any visible damage to the cables or connectors.
- There are no user serviceable parts inside the unit. Do not rewire, reconfigure or modify the unit in any way.

**FAILURE TO FOLLOW ANY OF THESE INSTRUCTIONS COULD VOID THE  
PRODUCT WARRANTY**

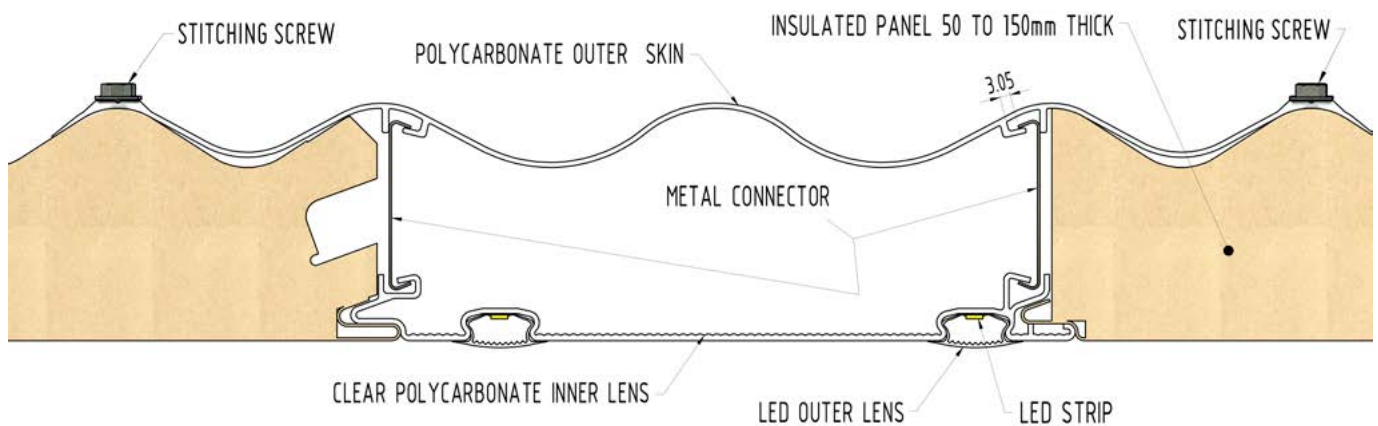
## DESIGN NOTES

- All DeltaSkylight™ kits come fully assembled with the LED LIGHT STRIPS and ready for installation.
- DeltaSkylights™ LED Light Strips are available in either White and/or RGBW
- The LED Light Strip installations do not vary between DeltaTrim™ & DeltaOrb™
- The installation procedures are outlined in the following circuit drawings.

## DELTATRIM™ - SKYLIGHT WITH LED LIGHT STRIPS



## DELTAORB™ - SKYLIGHT WITH LED LIGHT STRIPS

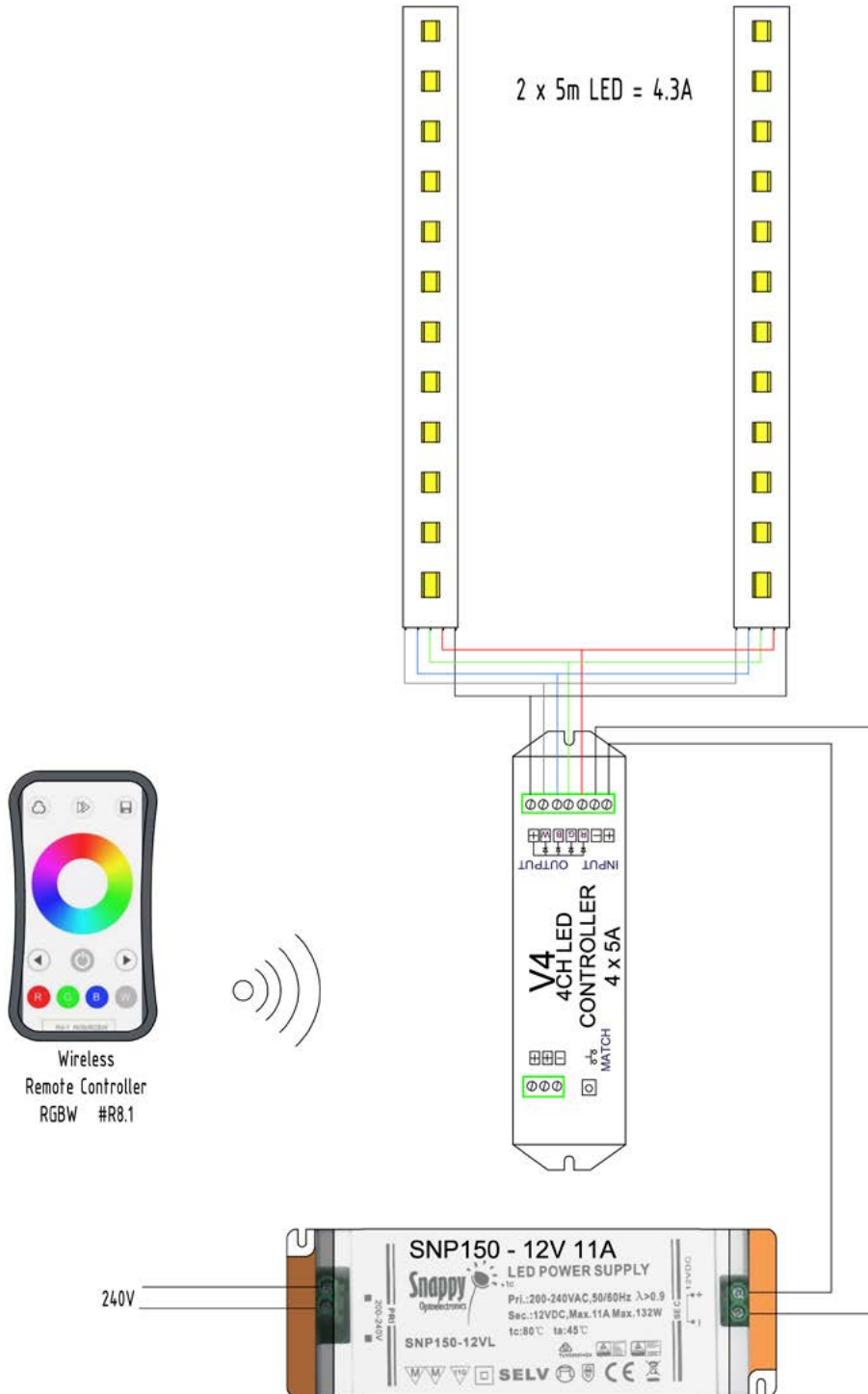


**FAILURE TO FOLLOW ANY OF THESE INSTRUCTIONS COULD VOID THE  
PRODUCT WARRANTY**



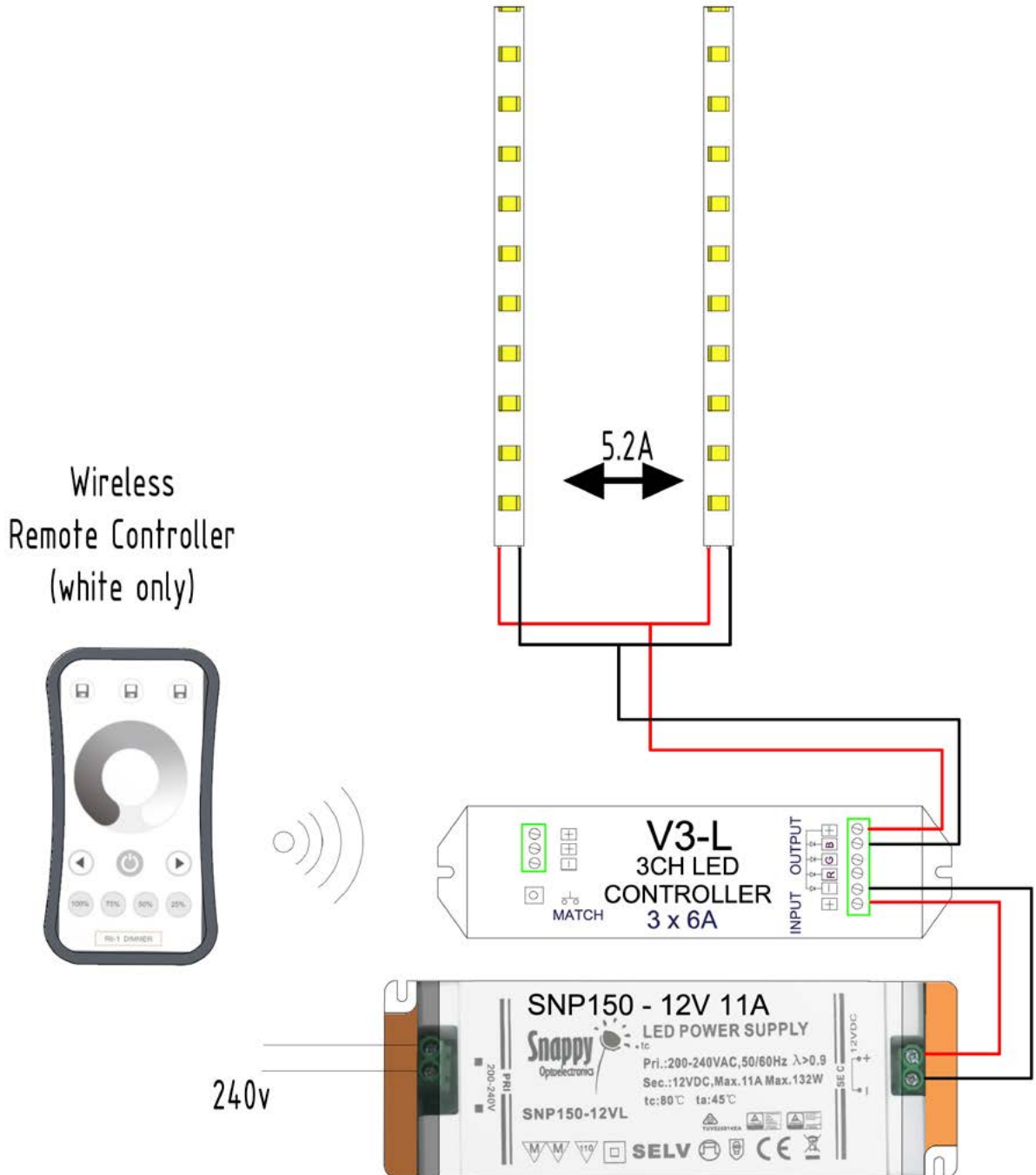
## RGBW LED FOR SINGLE SKYLIGHT

### Circuit Diagram



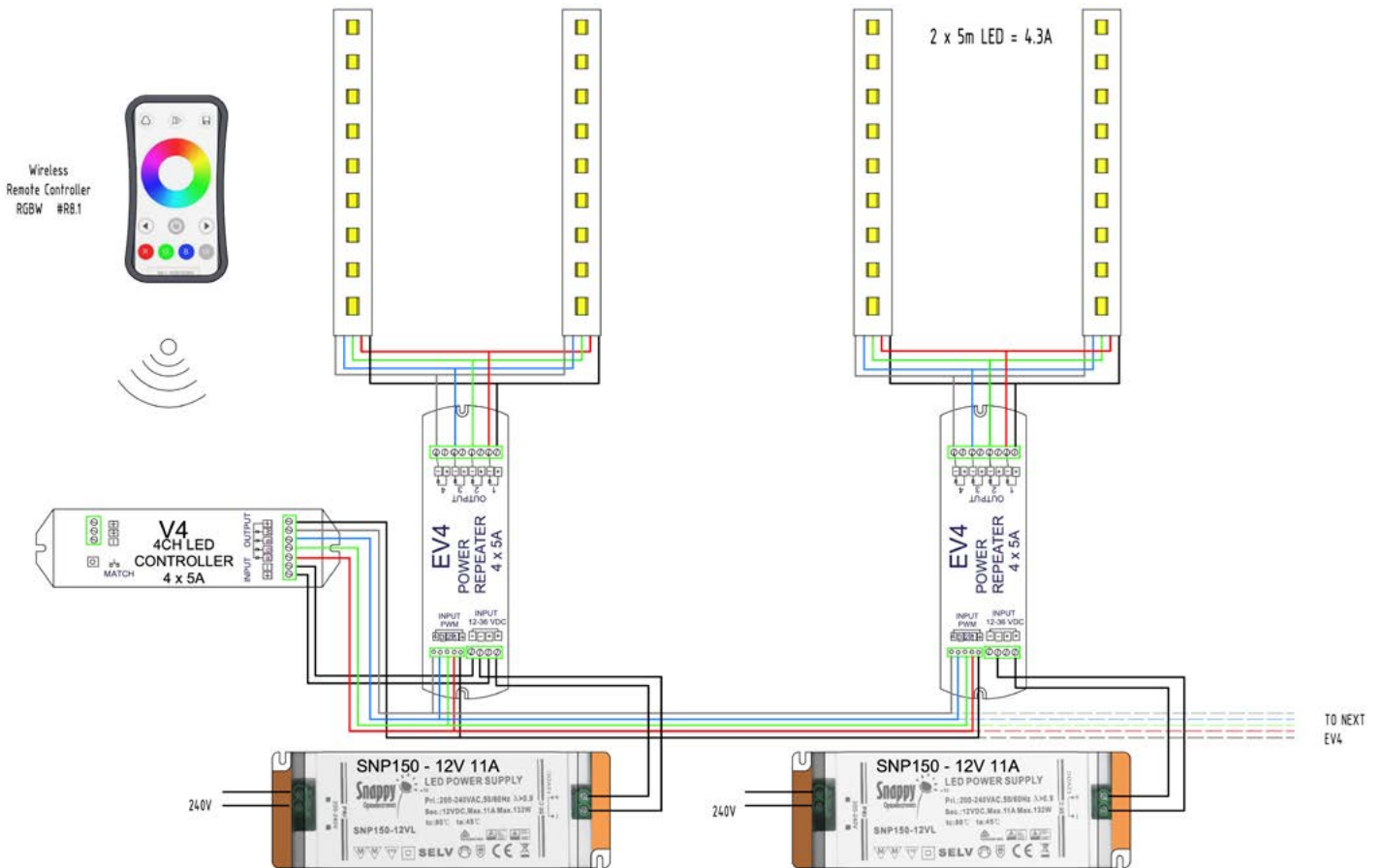
**WHITE LED FOR SINGLE SKYLIGHT**

**Circuit Diagram**



## RGBW LED FOR TWO SKYLIGHT

### Circuit Diagram



## WHITE LED FOR TWO SKYLIGHT

### Circuit Diagram

